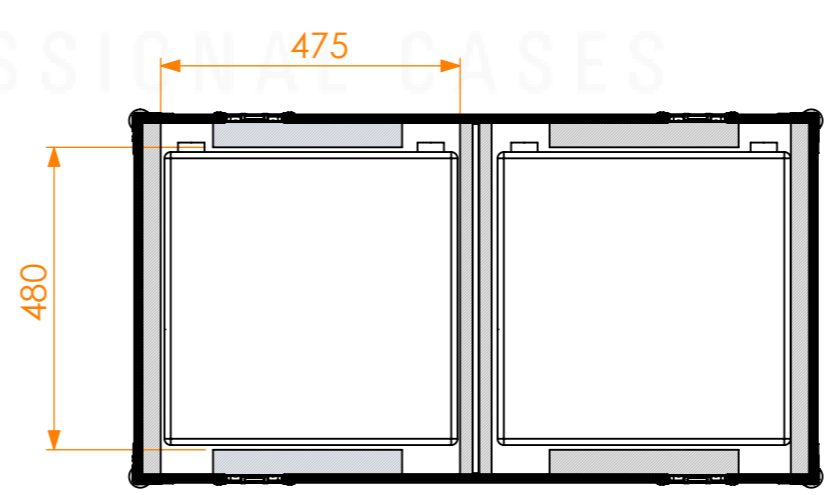
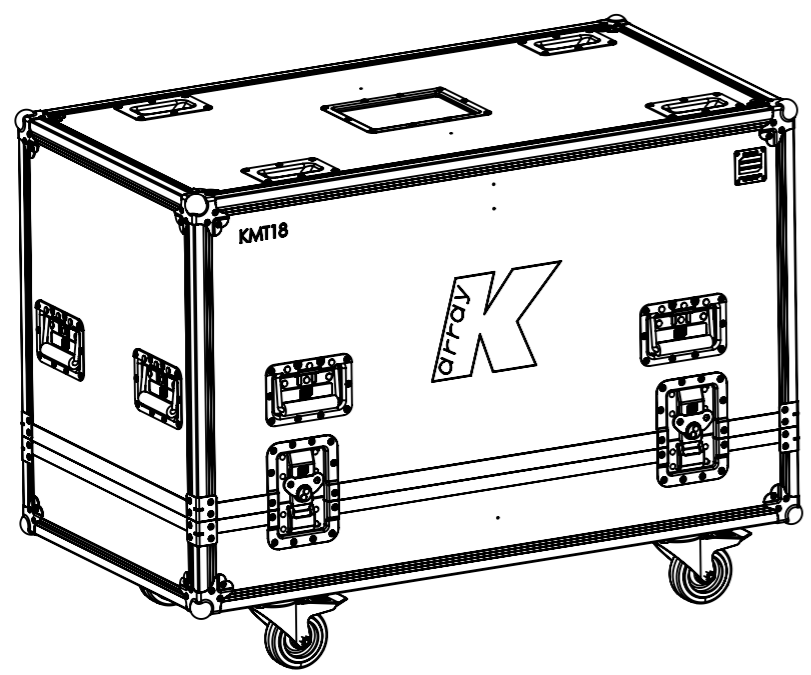
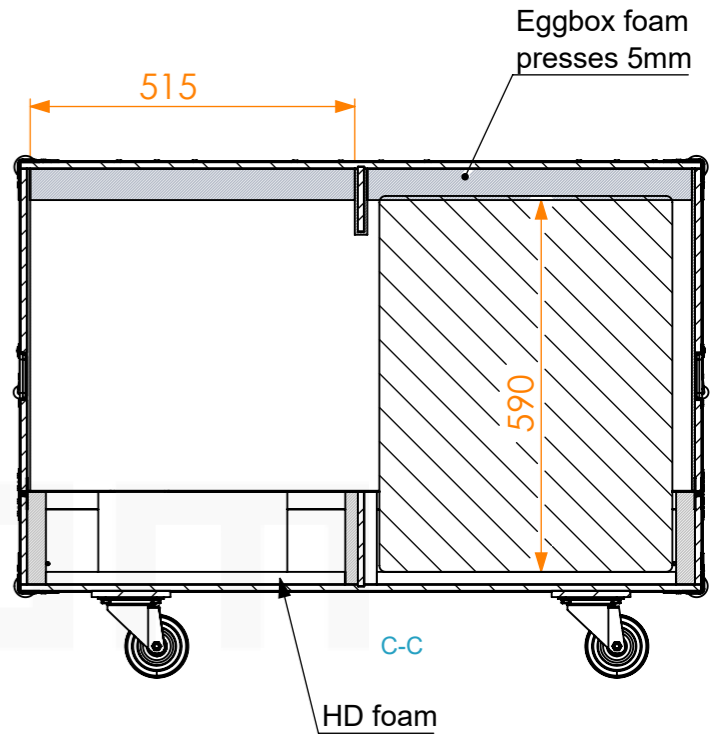
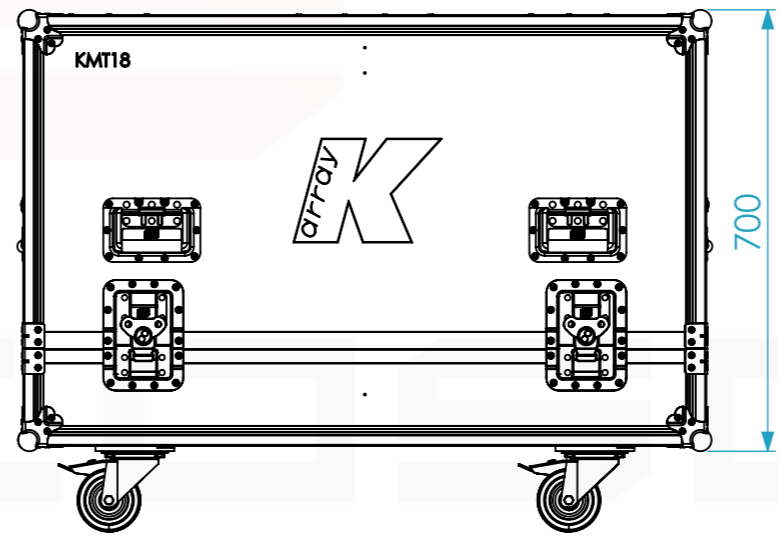
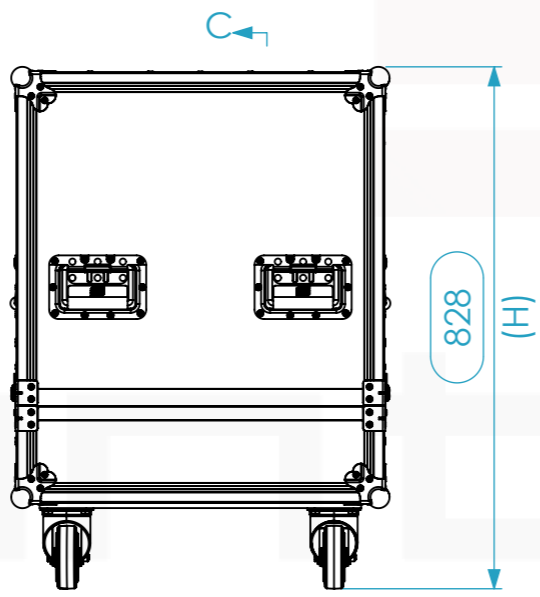
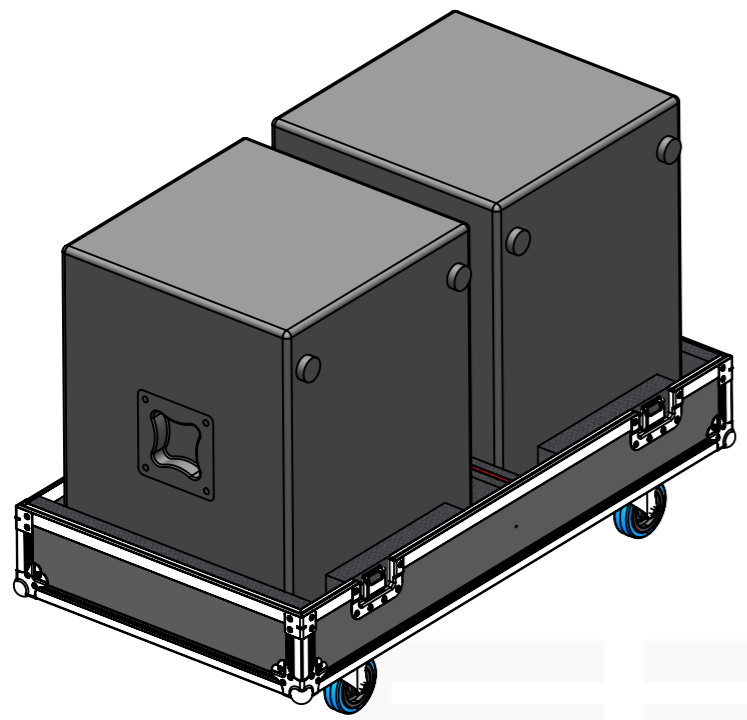
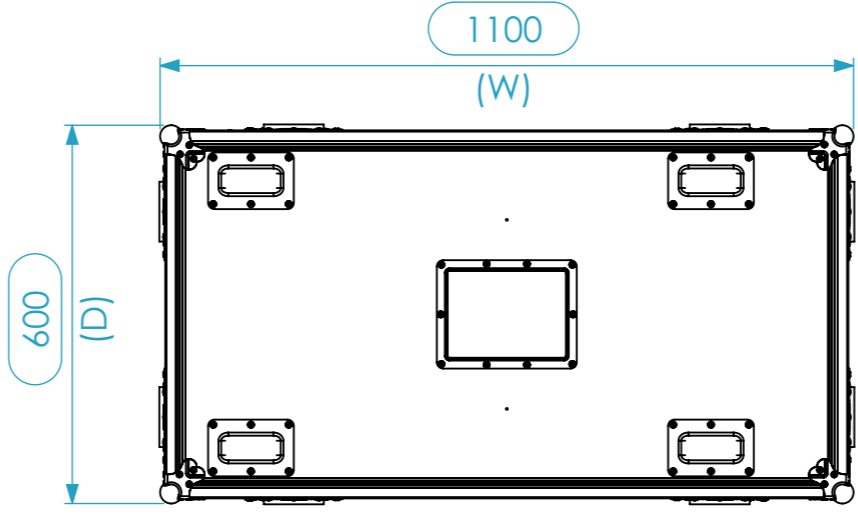


Equipment			K-Array KMT18		
Width	Depth	Height			
465	465	596			
Internal Dimensions					
Width	Depth	Height			
1056	556	600			
Weight	Approx. 42.53 Kg				
Wall Thickness	10mm				



General External Dimensions		Usable Inner Dimensions	
W	Width	Wi	Inside Width
D	Depth	Di	Inside Depth
H	Height	Hi	Inside Height

Name	Date	
Drawn by	CarlaSilva	09/07/2019
Reference	CABINET.051	
Scale	1:12	units in mm DO NOT SCALE
1st Angle projection	general tolerance	0.8mm
	Flight case PRO. 2x K-Array KMT18	



A3 This drawing must not be copied or disclosed without consent of the owner