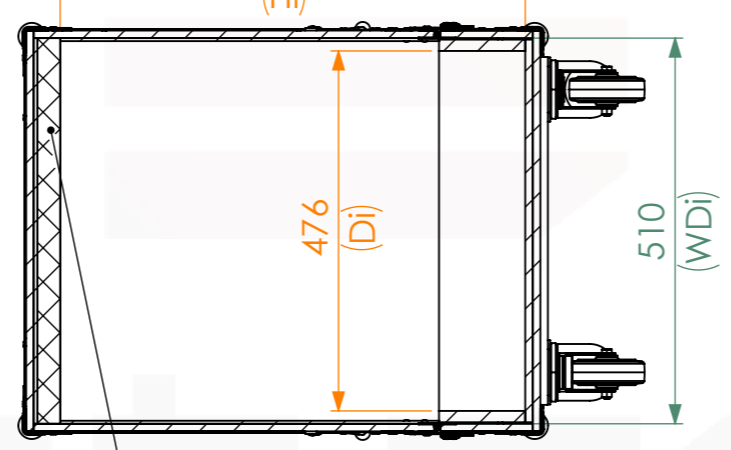
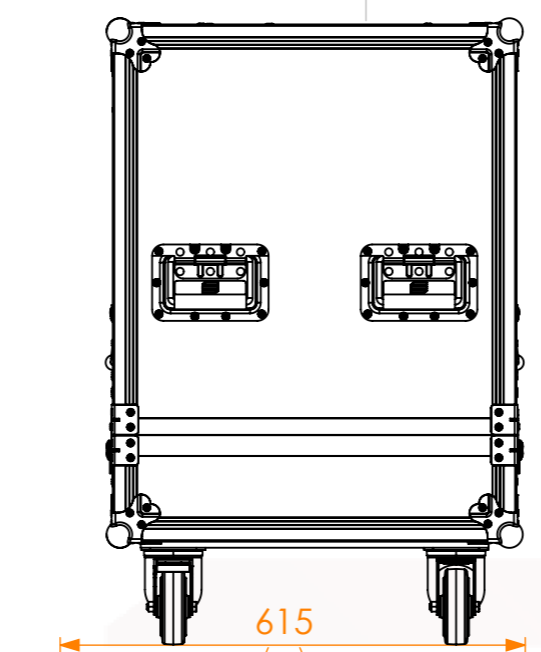
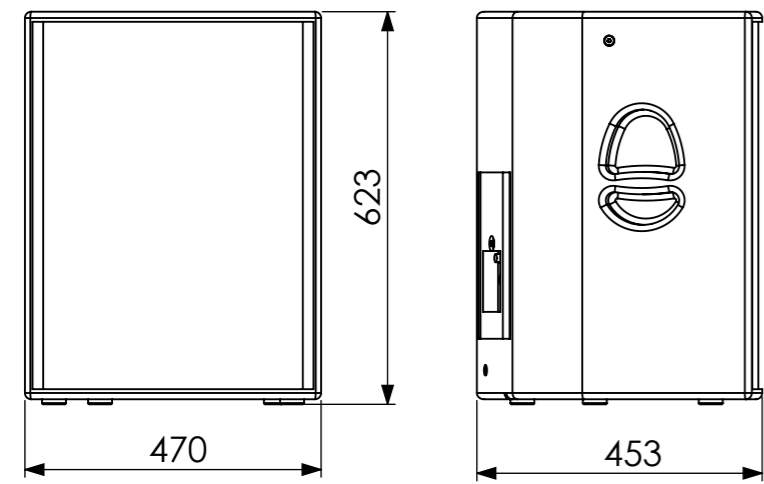
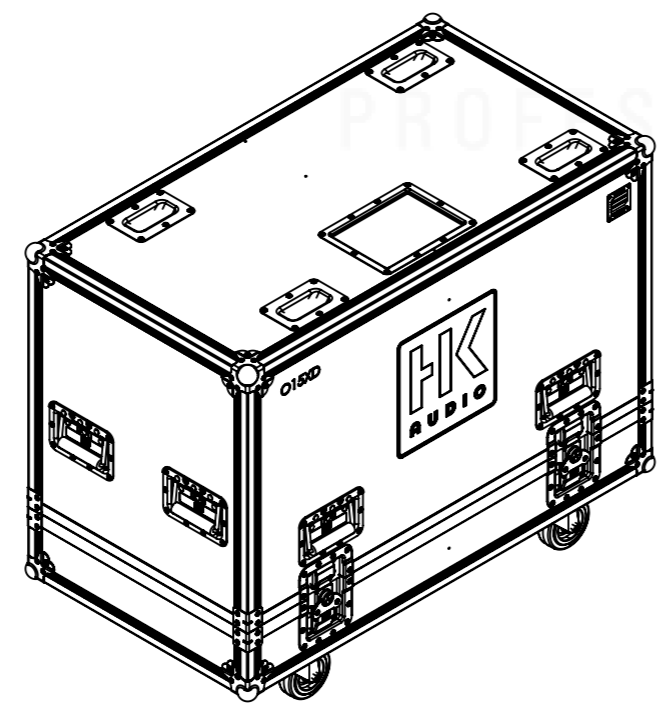
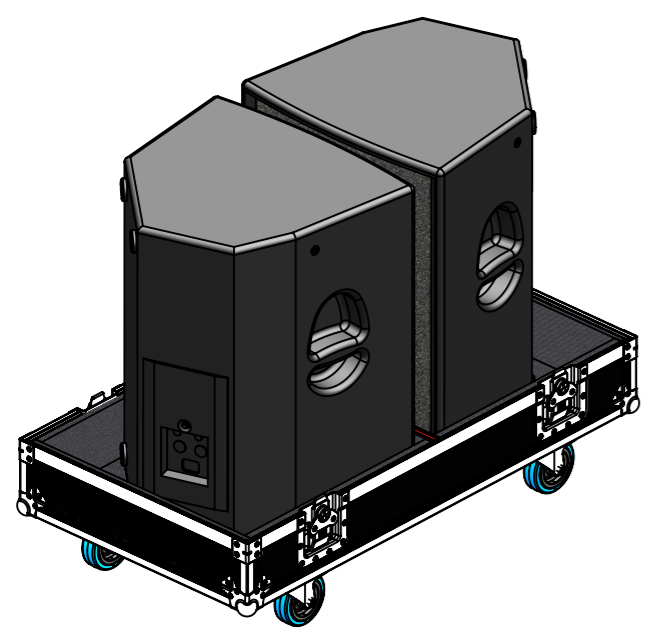
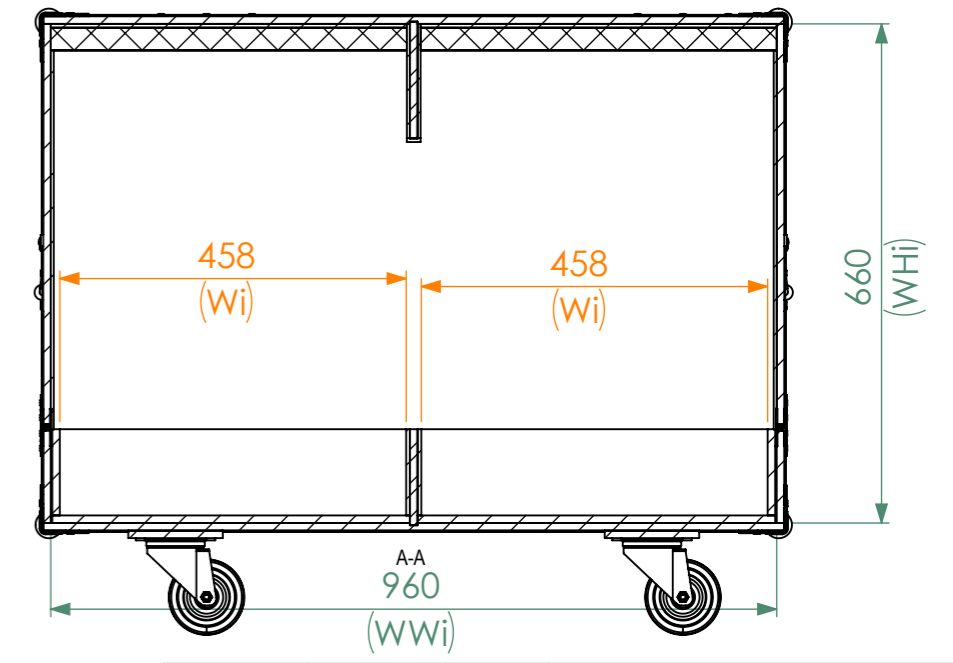
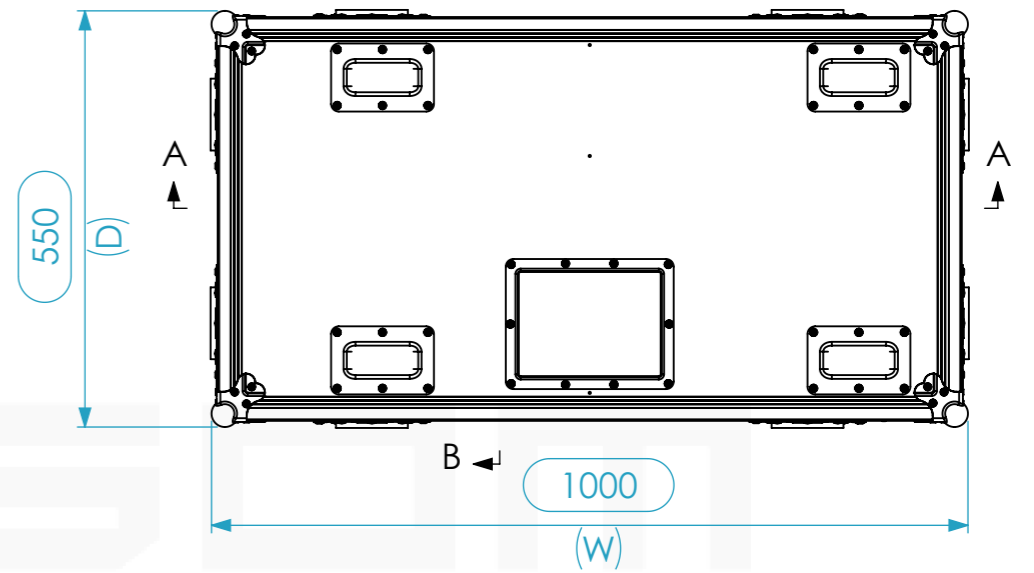
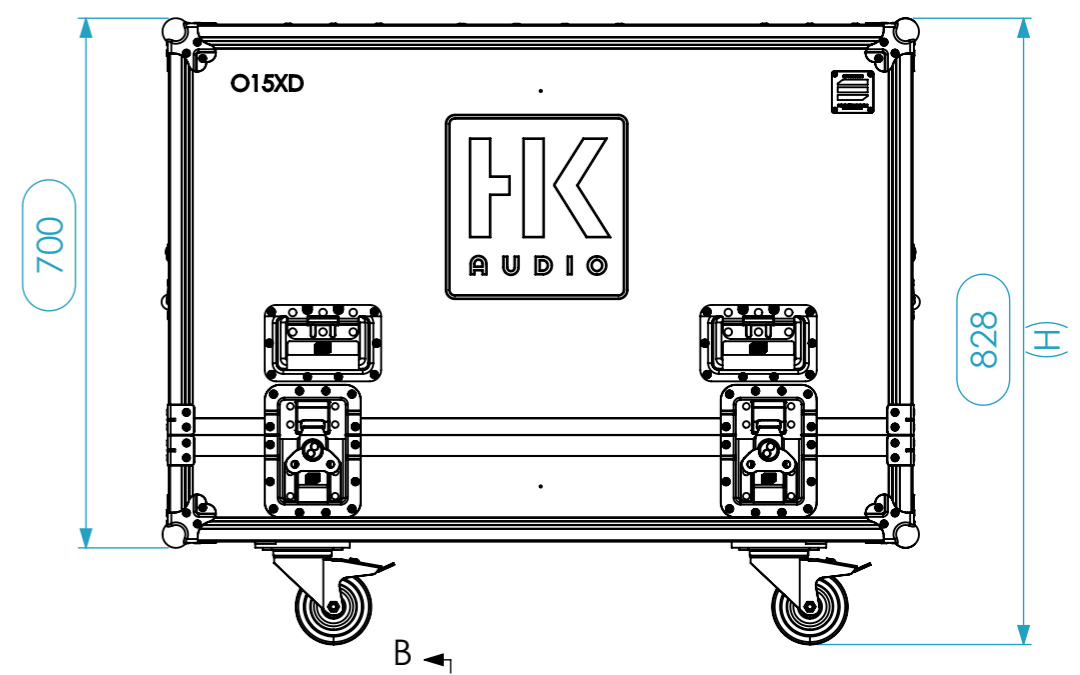


Equipment	O15XD	
Width	Depth	Height
470	453	623
Internal Dimensions		
Width	Depth	Height
956	506	660
Weight	Approx. 38 Kg	
Wall Thickness	10mm	



Pressing Eggbox
Foam 30 mm thick



General External Dimensions		Usable Inner Dimensions (UID)		Wood Inner Dimensions (WID)	
W	Width	Wi	Inside Width	WWi	Wood Inside Width
D	Depth	Di	Inside Depth	WDi	Wood Inside Depth
H	Height	Hi	Inside Height	WHi	Wood Inside Height

This drawing must not be copied or disclosed without consent of the owner

Name	Date
Drawn by	CatarinaHenriques 28/08/2018
Reference	CABINET.009
Scale	1:10
units in mm	general tolerance 0.8mm
DO NOT SCALE	



A3



FLIGHT CASE PRO, 2X HK AUDIO PREMIUM PR: O15XD