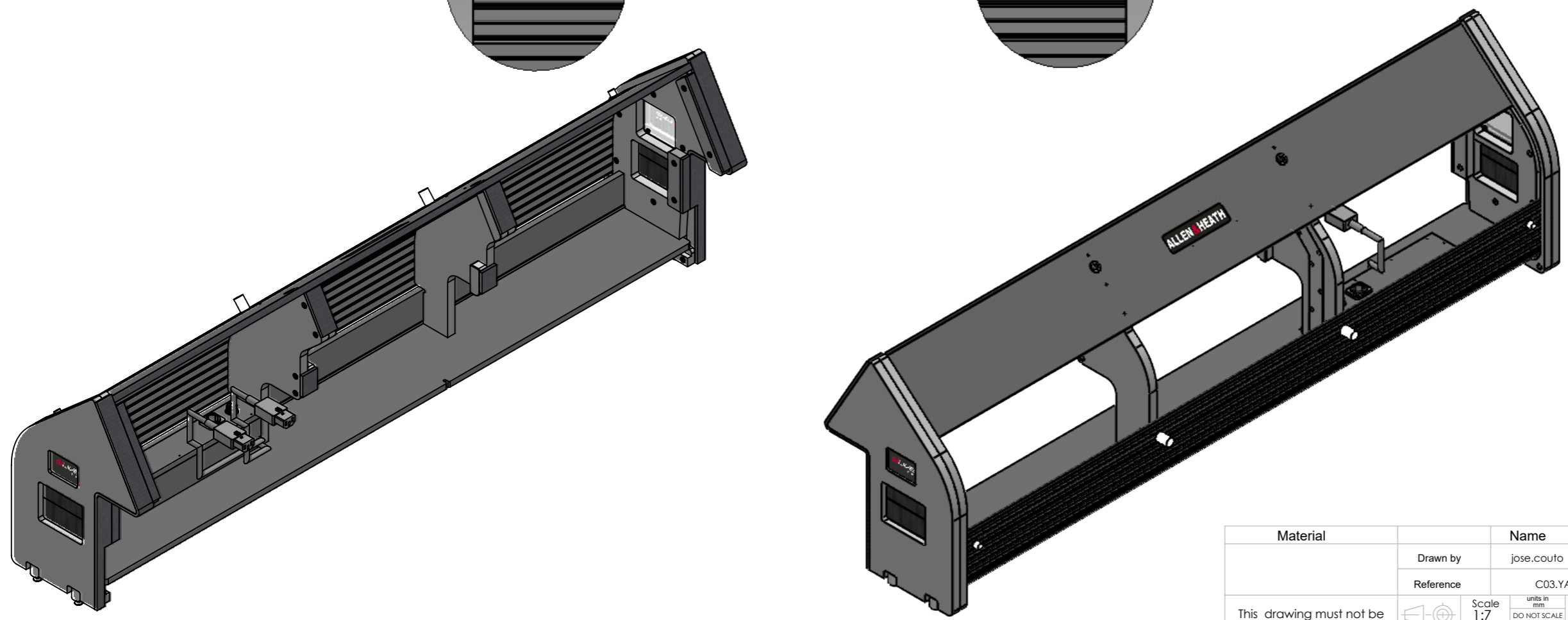
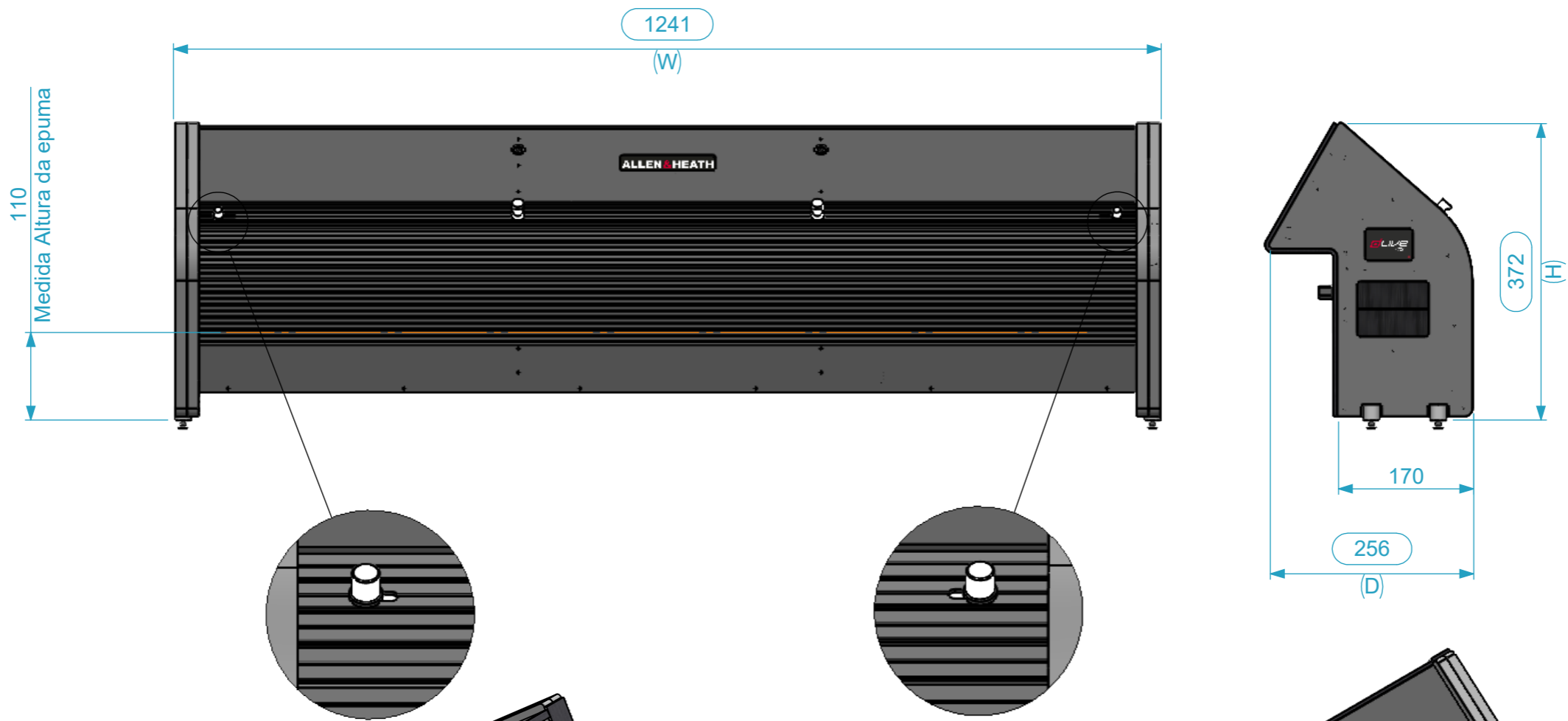


Dimensões

Comprimento	Largura	Altura
1241	256	372
Peso	Approx. 9 Kg	
Espessura	15mm	



Material	Name	Date
	Drawn by	jose.couto
	Date	02/06/2025
	Reference	C03.YAMDM7
	Scale	1:7
	units in mm	DO NOT SCALE
	general tolerance	0.8mm
	1st Angle projection	
	Compartmento Sliding for Yamaha DM7	

This drawing must not be copied or disclosed without consent of the owner

