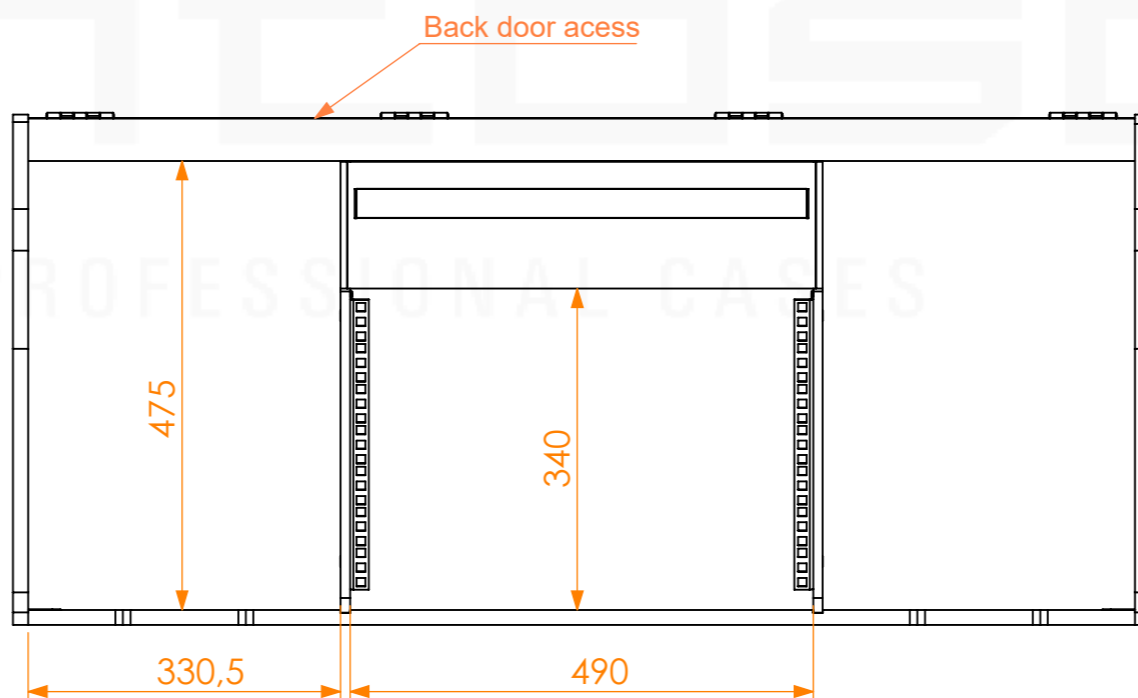
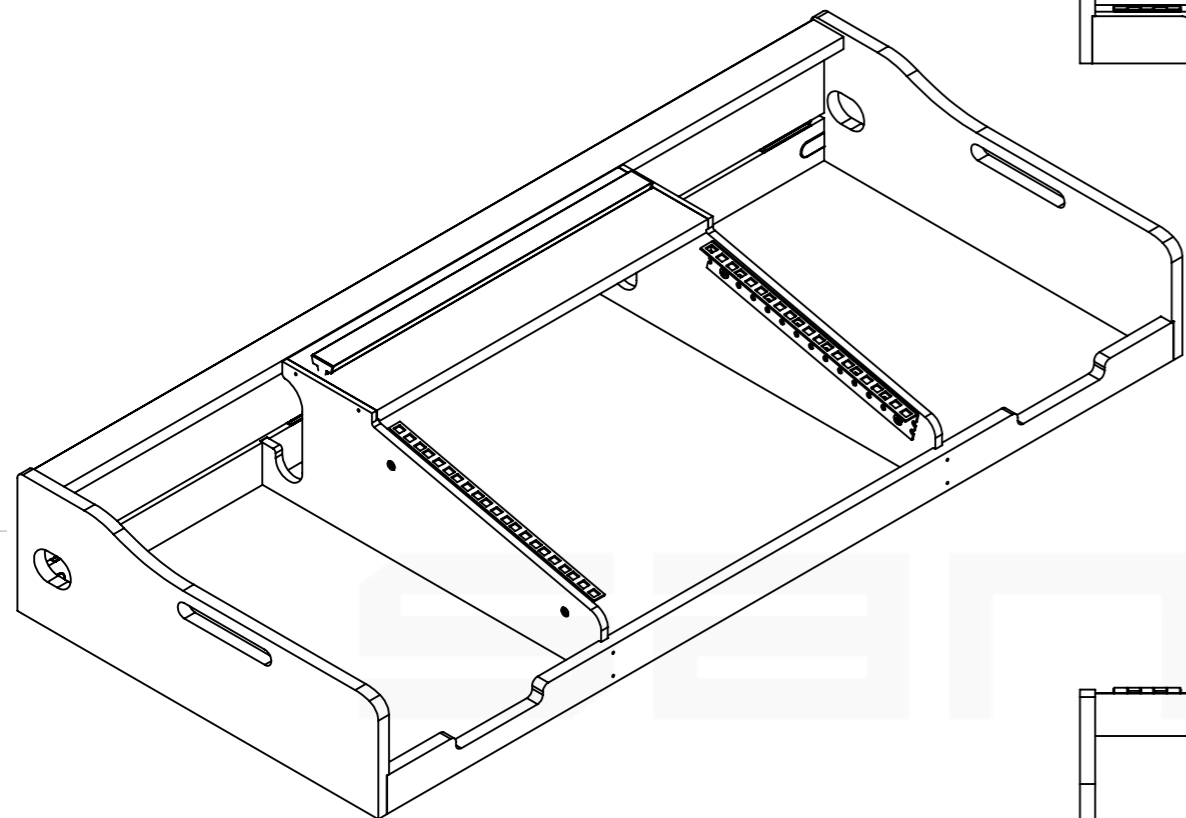
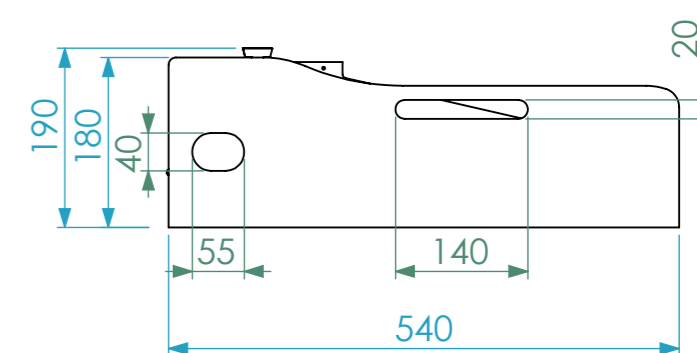
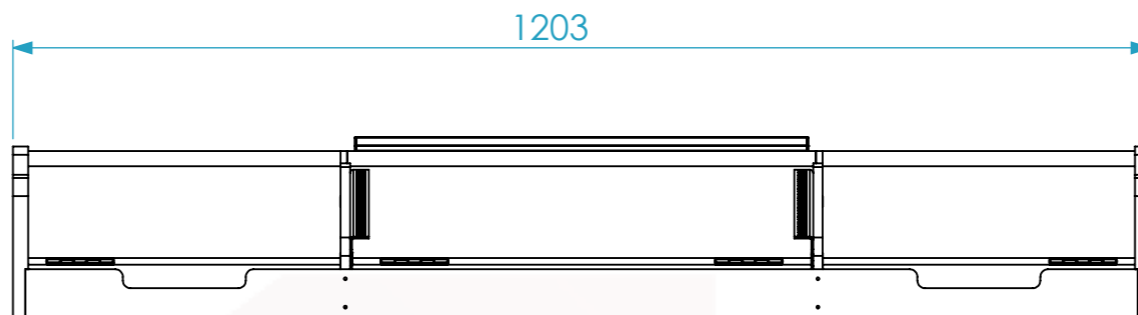


Dimensions

Width	Depth	Height
	540	190
Weight	Approx. 7.30 Kg	
Wall Thickness		mm



Drawn by	Name	Date
jose.couto	jose.couto	05/09/2023
Reference	C03.1306024	
Scale	units in mm	general tolerance
1:8	DO NOT SCALE	0.8mm
MÓVEL PARA FC.		



This drawing must not be copied or disclosed without consent of the owner



A3