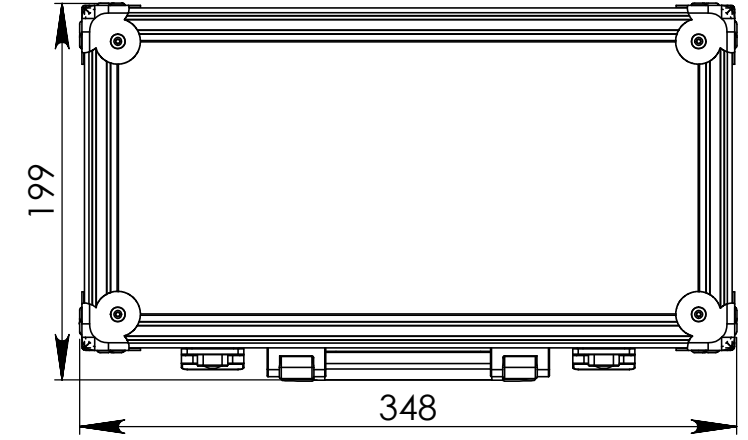
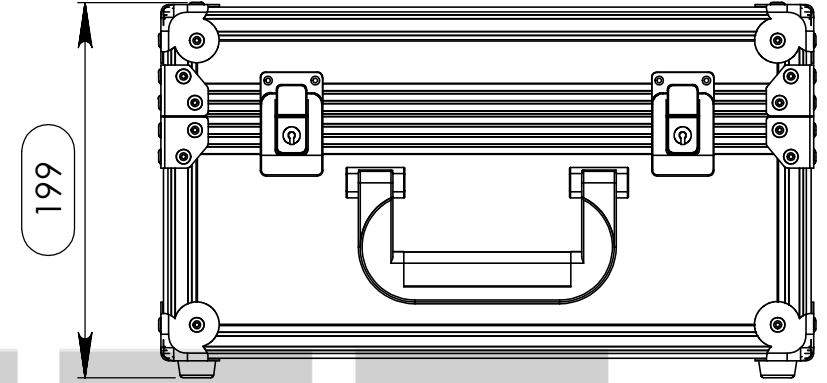
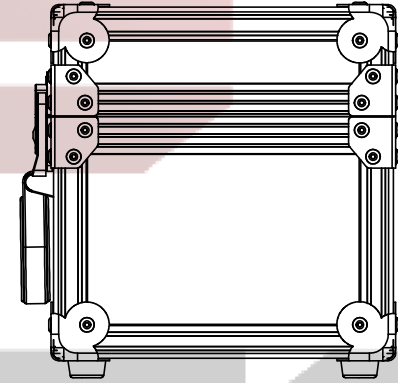
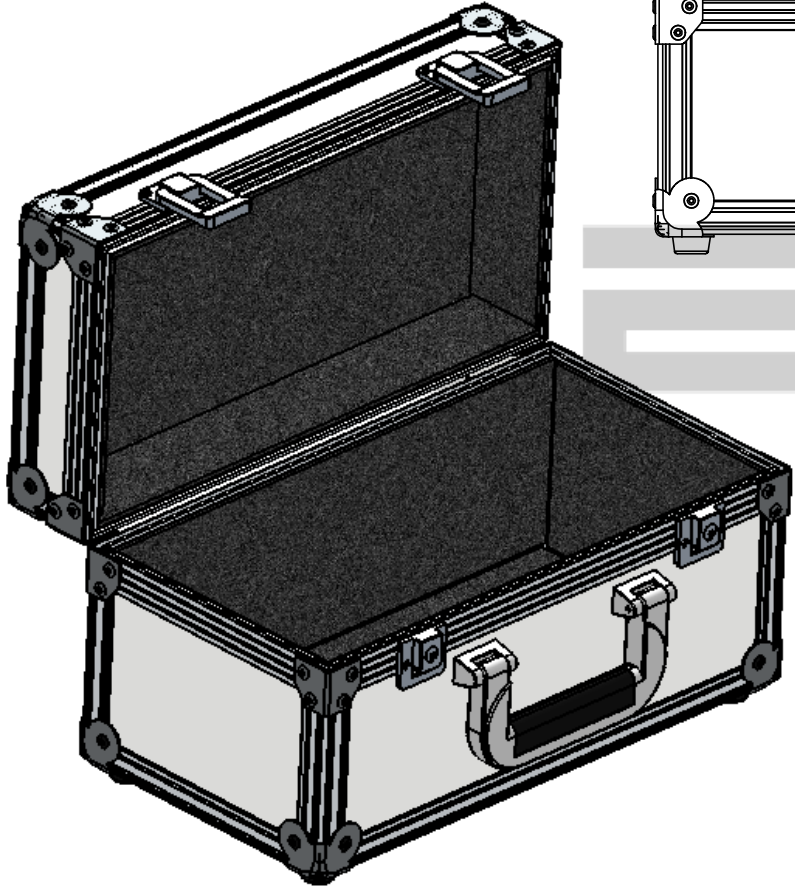
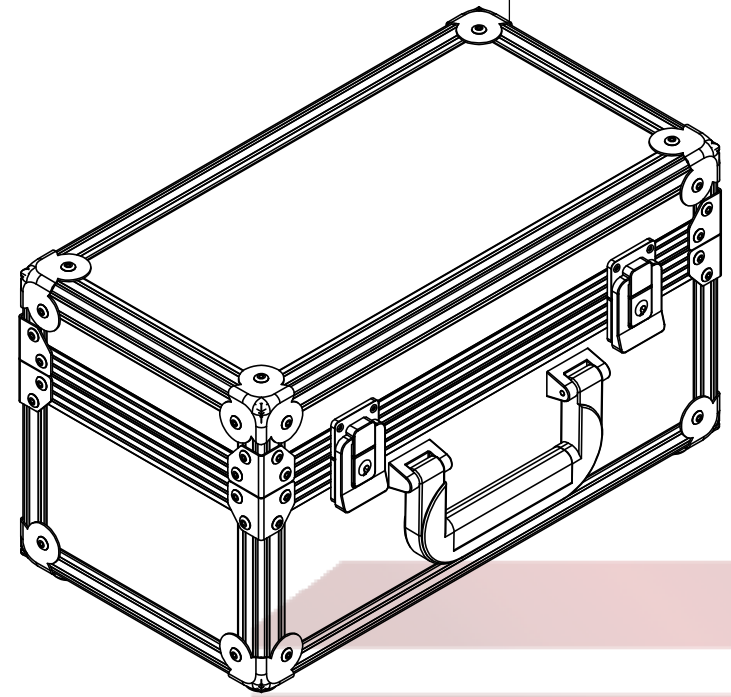


Exterior dimensions

Width	Depth	Height
348	199	199
Weight	Approx. 2 Kg	
Wall Thickness	4.5mm	

REVISIONS				
ZONE	REV.	DESCRIPTION	DATE	APPROVED
-	0	Final Drawing	19/05/2015	Carlos Rodrigues



PROFESSIONAL CASES

Qty	Ref.	Description
8	4056	Small case corner - 3 leg - 1 mm Steel, chrome plated
8	4046	Small corner brace - suits 6136 casemaker
1	3430	Chrome plated plastic with soft black plastic insert
2	1919	SIMPLE BLOCK CATCH.
4	4903	Rubber foot 20 x 9 mm, black
2	P1325.25	SMALL STRUT HINGE, 25MM / 1".

This drawing must not be copied or disclosed without consent of the owner

Drawn by	Name	Date
projects		19/05/2015
Reference	B1.350	
Scale	units in mm	general tolerance
1:4	DO NOT SCALE	0.8mm
BRIEFCASE, EXT 350X200X200MM		

