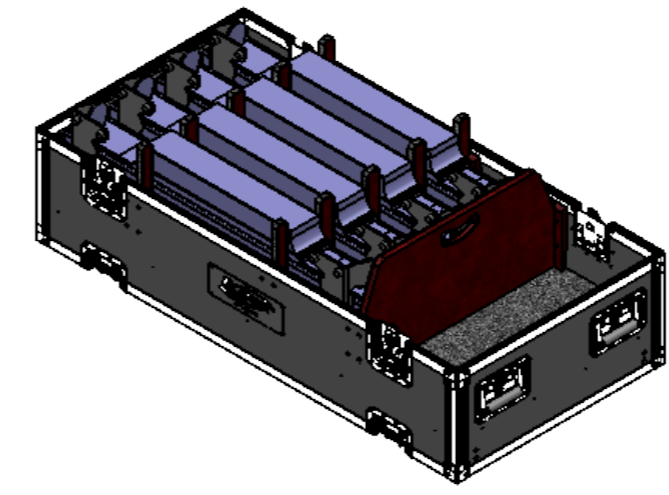
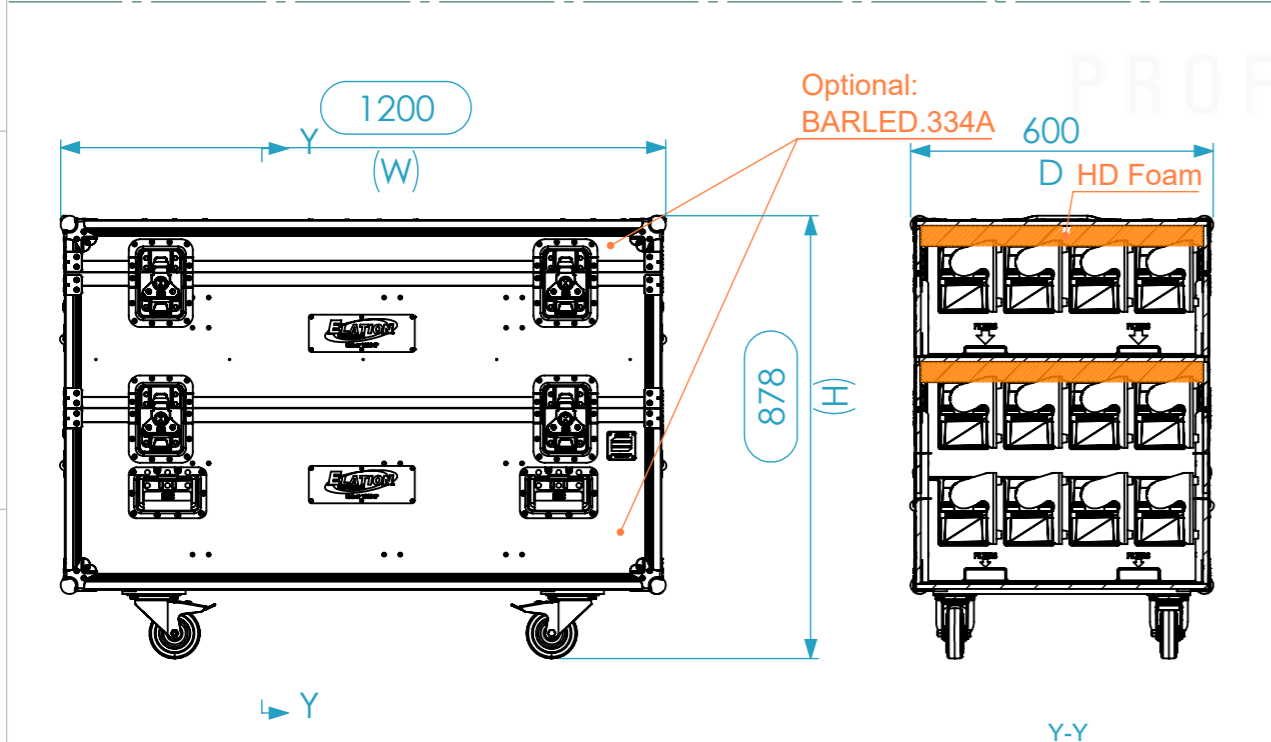
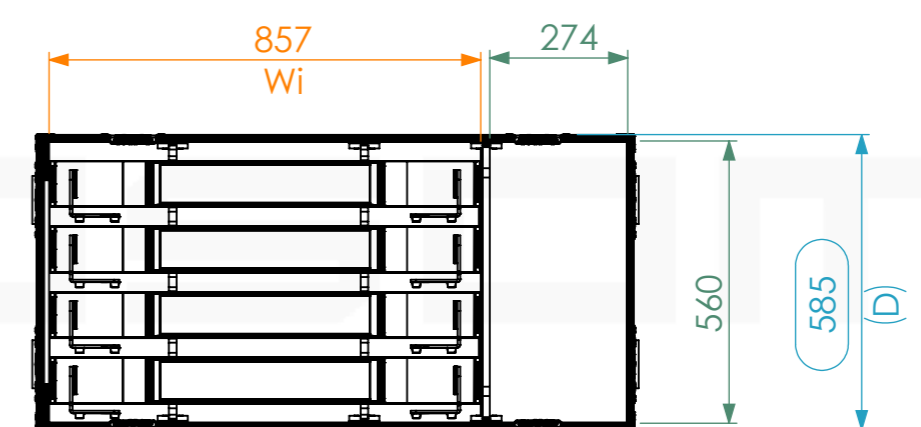
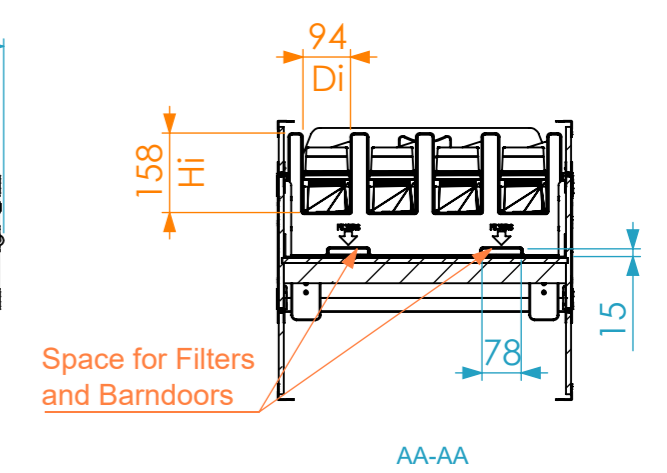
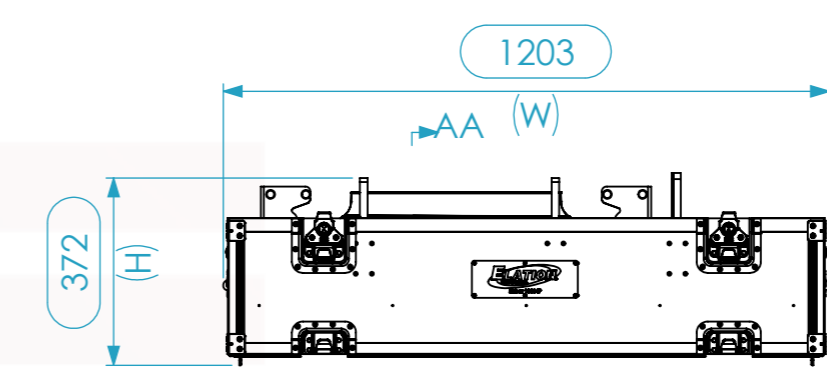
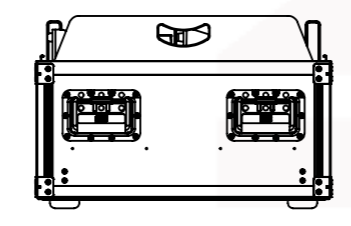
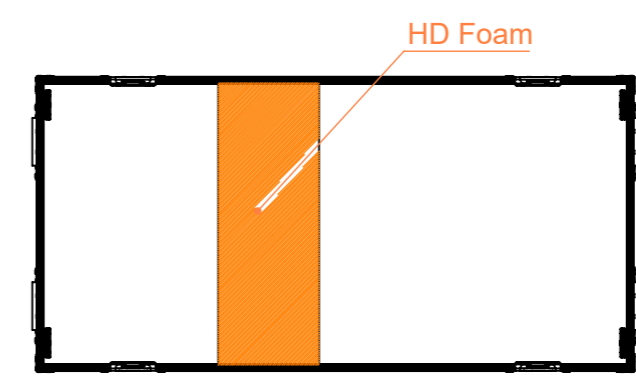
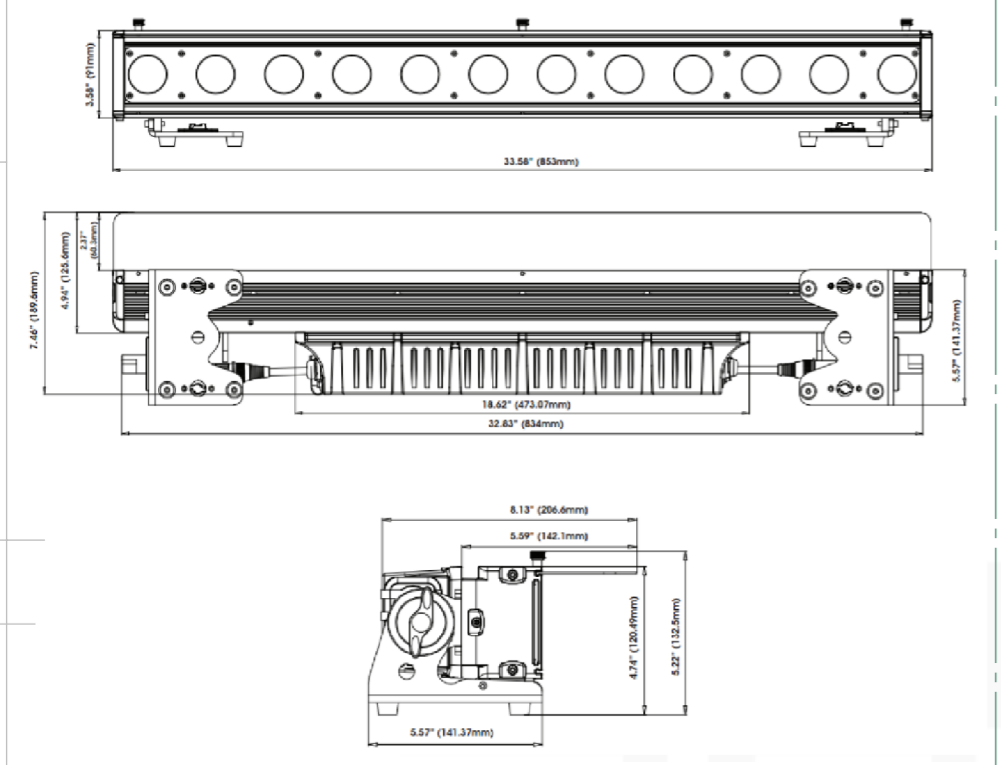


Equipment	ELATION Sixbar 1000 IP	
Width	Depth	Height
853	141	133
Weight	Approx. 8.6 Kg	
Internal Dimensions		
Width	Depth	Height
857	94	158
Weight	Approx. 38 Kg	
Wall Thickness		mm

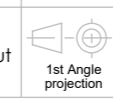


Usable Inner Dimensions	
Wi	Inside Width
Di	Inside Depth
Hi	Inside Height
General External Dimensions	
W	Width
D	Depth
H	Height

Name	Date
Drawn by: jose.couto	24/11/2022
Reference	BARLED.334A.P01
Scale	1:15
units in mm	general tolerance 0.8mm
DO NOT SCALE	
Flight case PRO-3M, 4x ELATION Sixbar 1000 IP	



This drawing must not be copied or disclosed without consent of the owner



A3