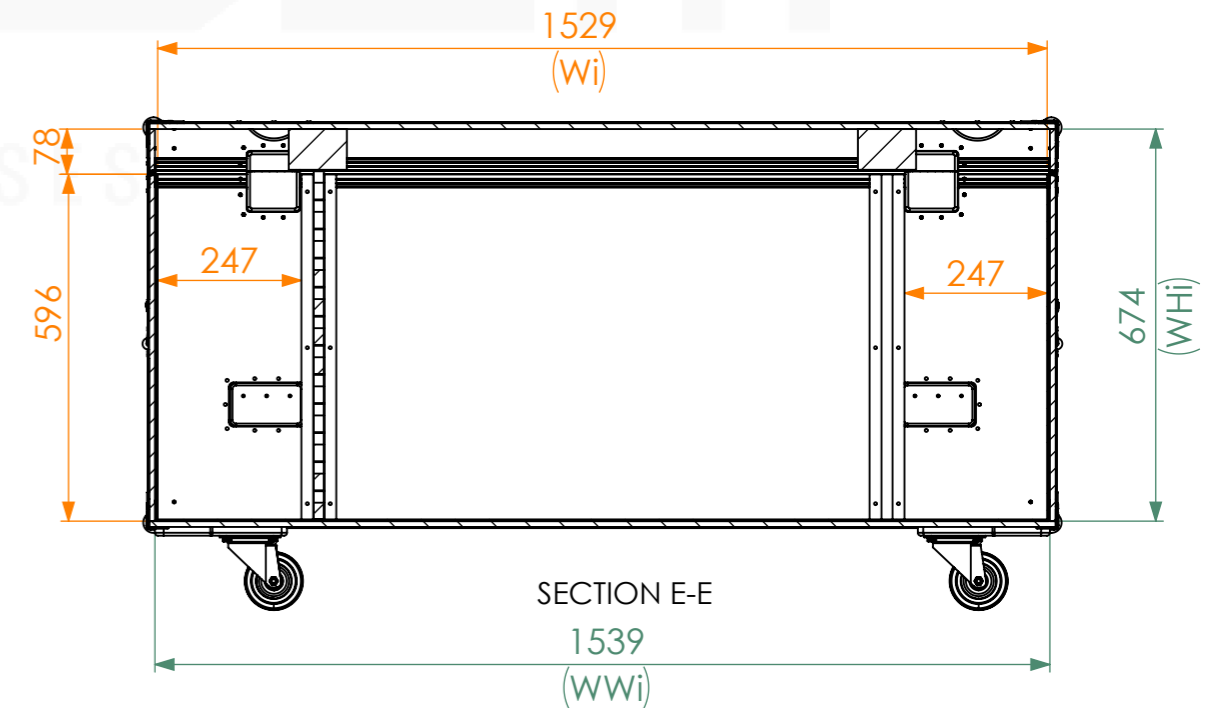
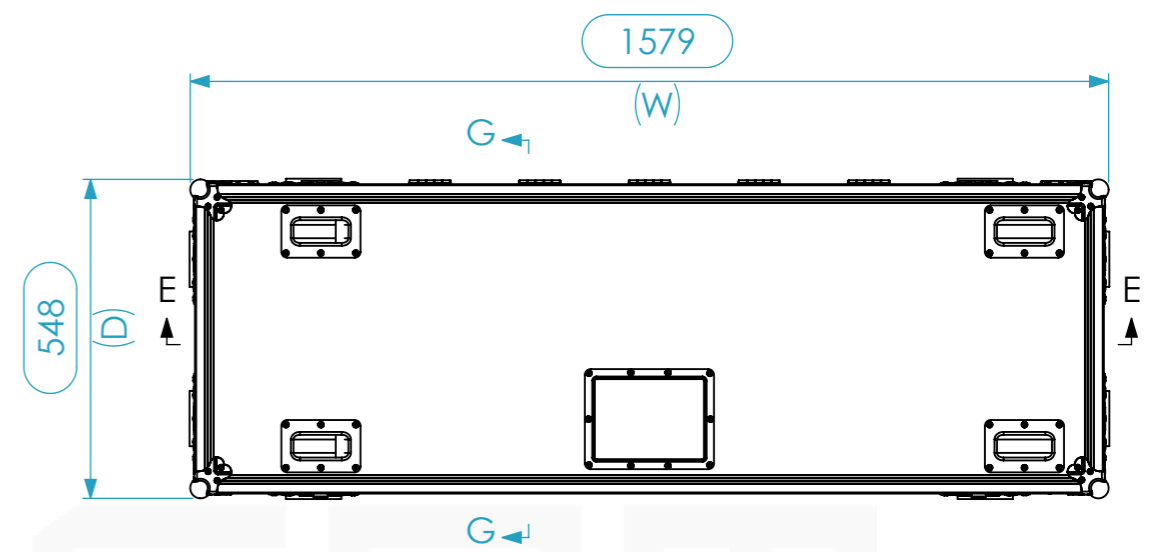
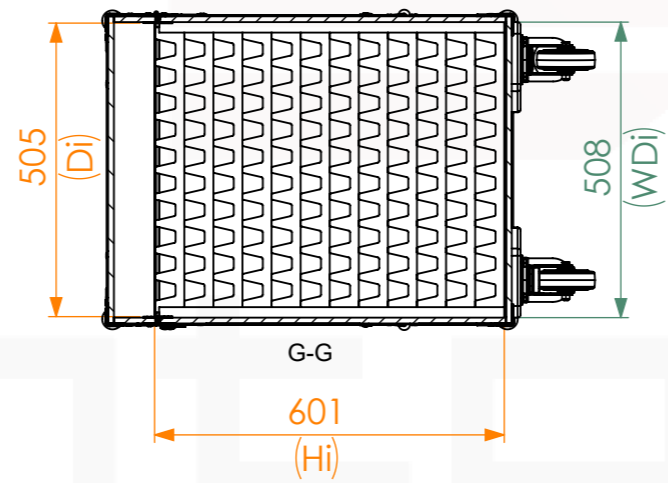
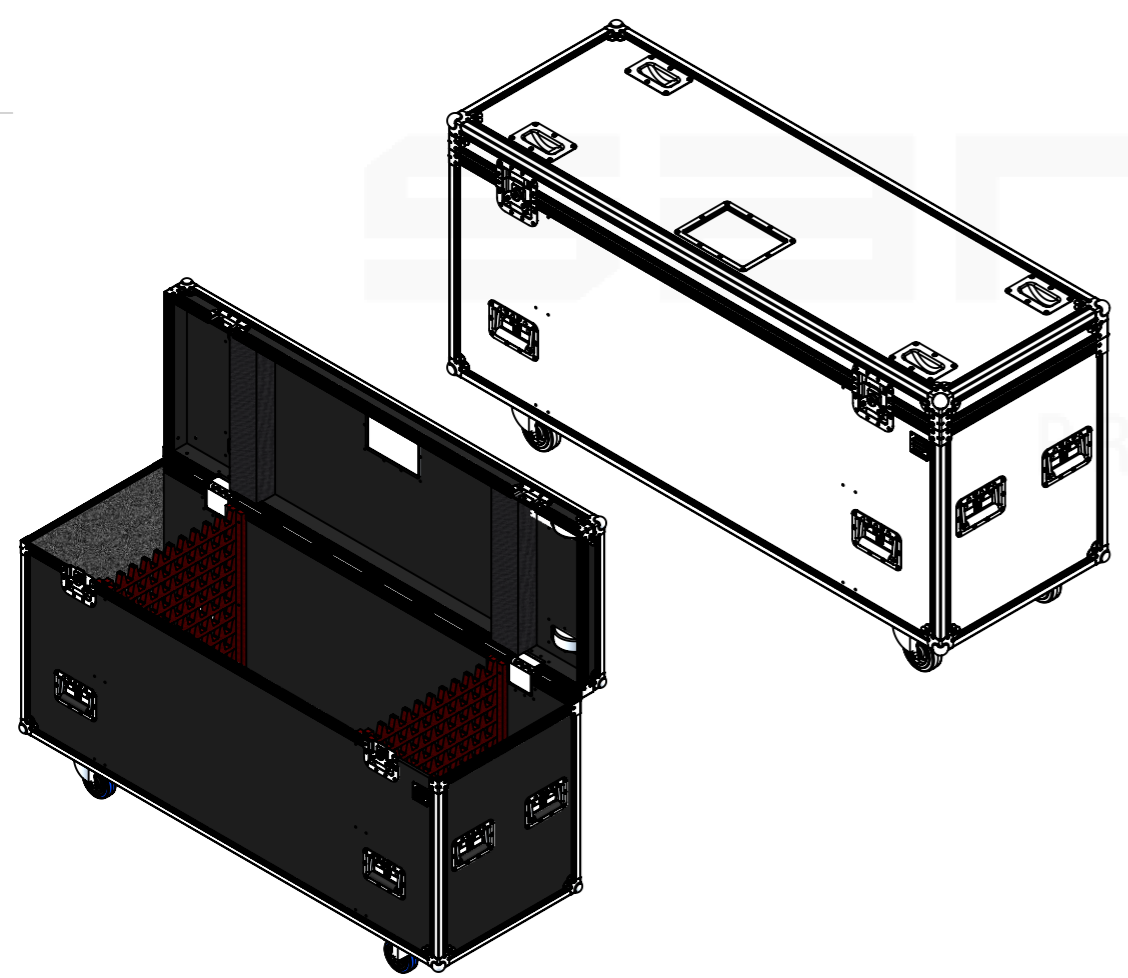
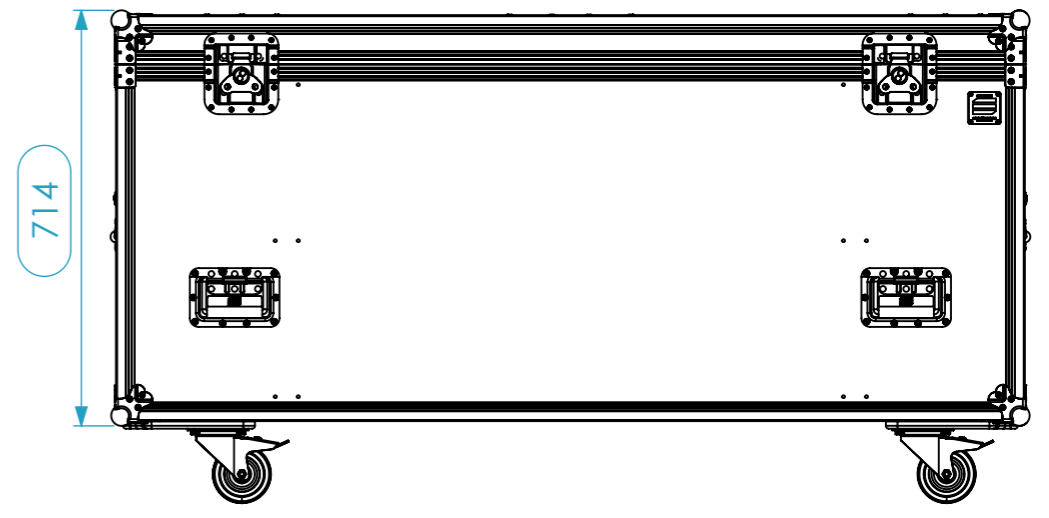
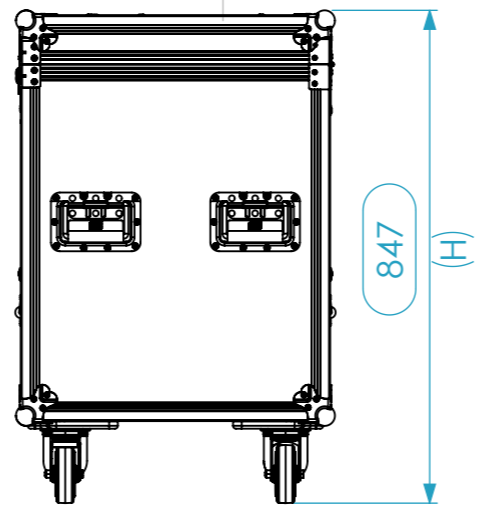
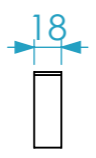
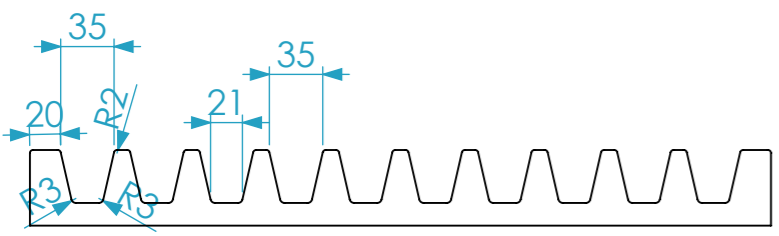


Internal Dimensions		
Width	Depth	Height
1534.5	504	674
Weight	Approx. 39 Kg	
Wall Thickness	10mm	



General External Dimensions		Usable Inner Dimensions		Wood Inner Dimensions	
W	Width	Wi	Inside Width	WWi	Wood Inside Width
D	Depth	Di	Inside Depth	WDi	Wood Inside Depth
H	Height	Hi	Inside Height	WHi	Wood Inside Height

Name	Date
Drawn by	CatarinaHenriques 07/02/2019
Reference	BARLED.139A
Scale	1:13
units in mm	general tolerance 0.8mm
DO NOT SCALE	FLIGHT CASE, 120X LED 1520X30X30



This drawing must not be copied or disclosed without consent of the owner



A3