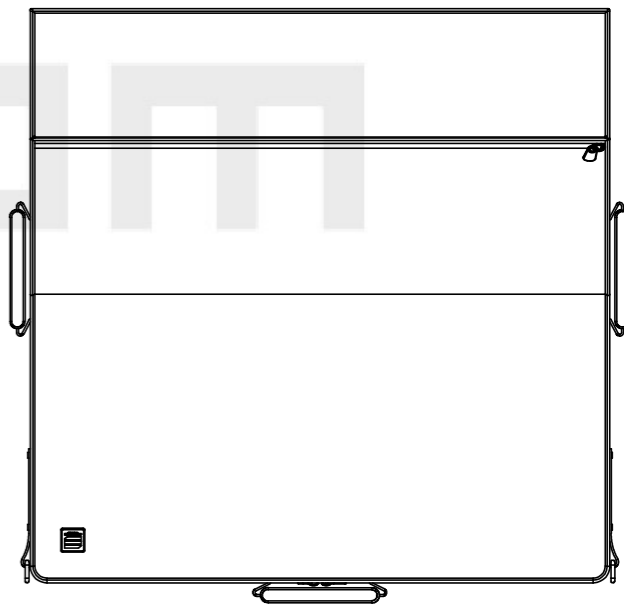
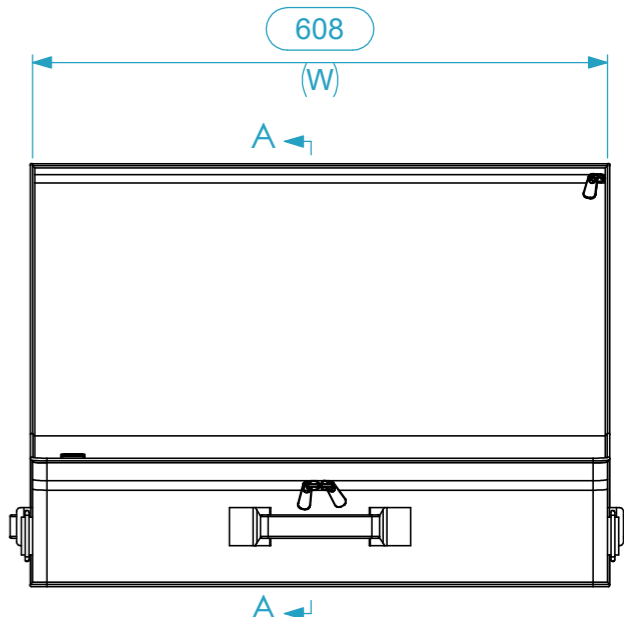
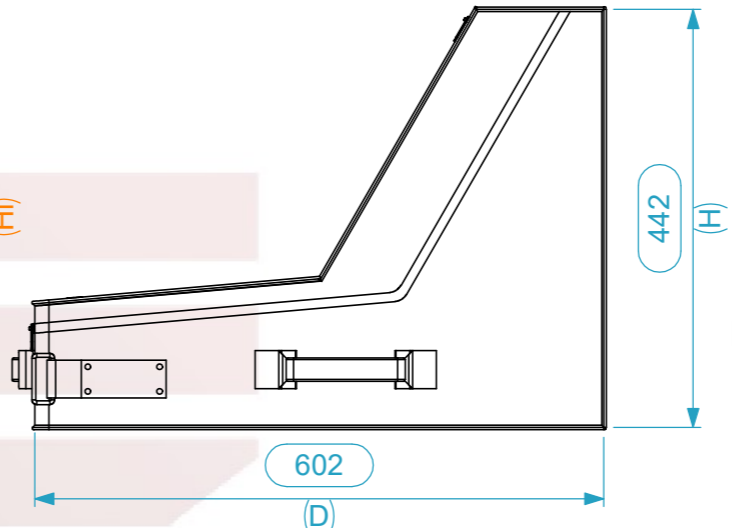
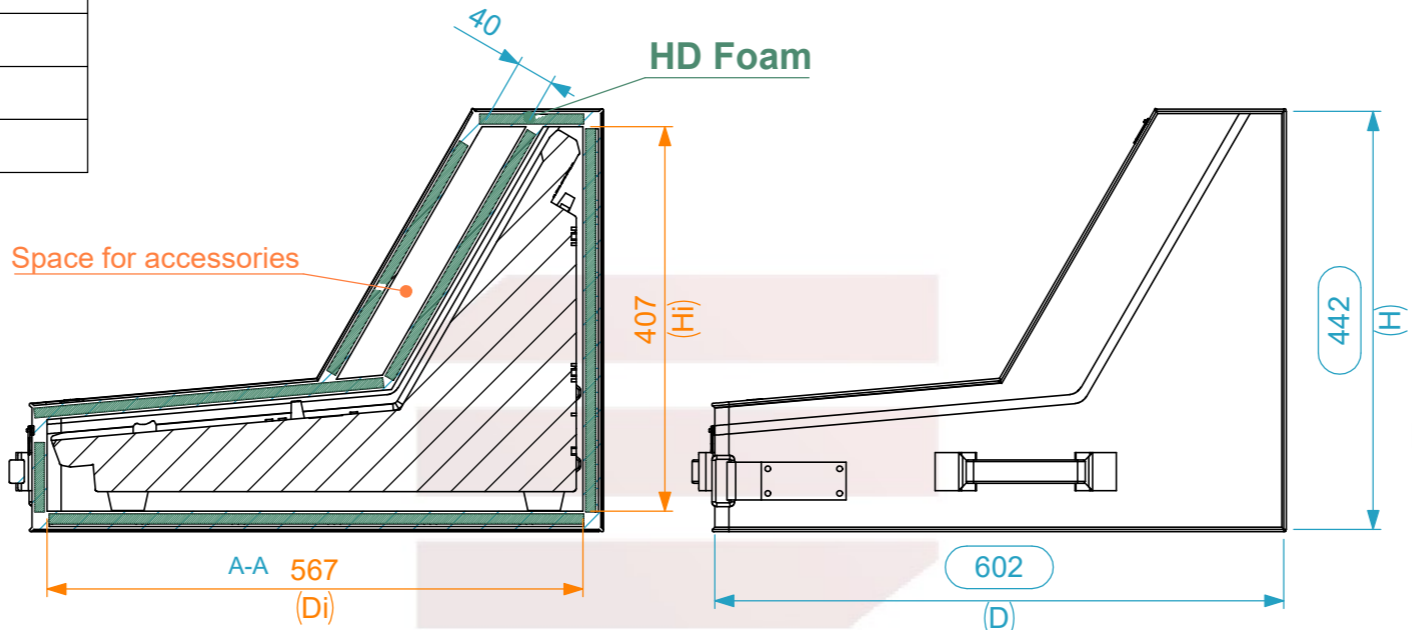


Equipment			Waves eMotion LV1		
Width	Depth	Height			
561	561	402			
Weight	Approx. 17.3Kg				
Internal Dimensions					
Width	Depth	Height			
570	567	407			
Weight	Approx. 5.9 Kg				
Wall Thickness		16 mm			



General External Dimensions	
W	Width
D	Depth
H	Height

This drawing must not be copied or disclosed without consent of the owner

Drawn by	catarina.silva	Date	28/05/2025
Reference	BAG2.WAVLV1C		
Scale	1:8	units in mm	DO NOT SCALE
		general tolerance	0.8mm
Reinforced Bag Waves LV1			

