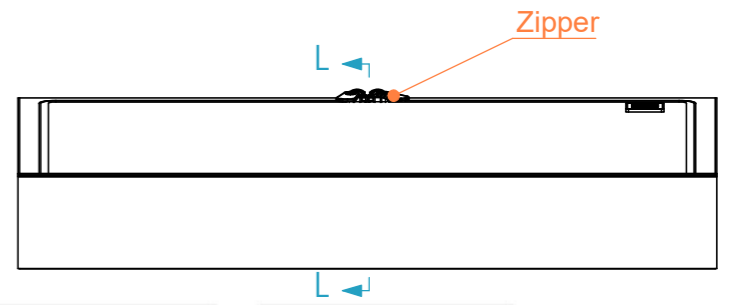
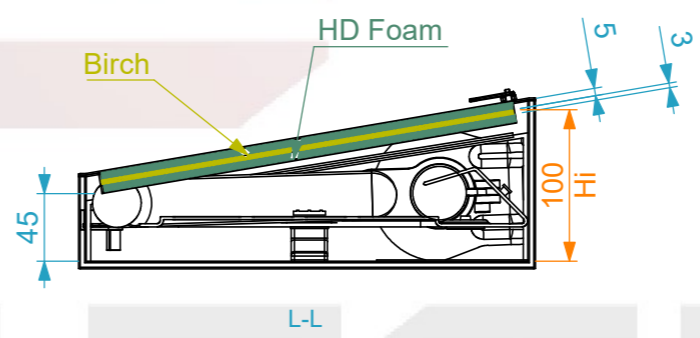
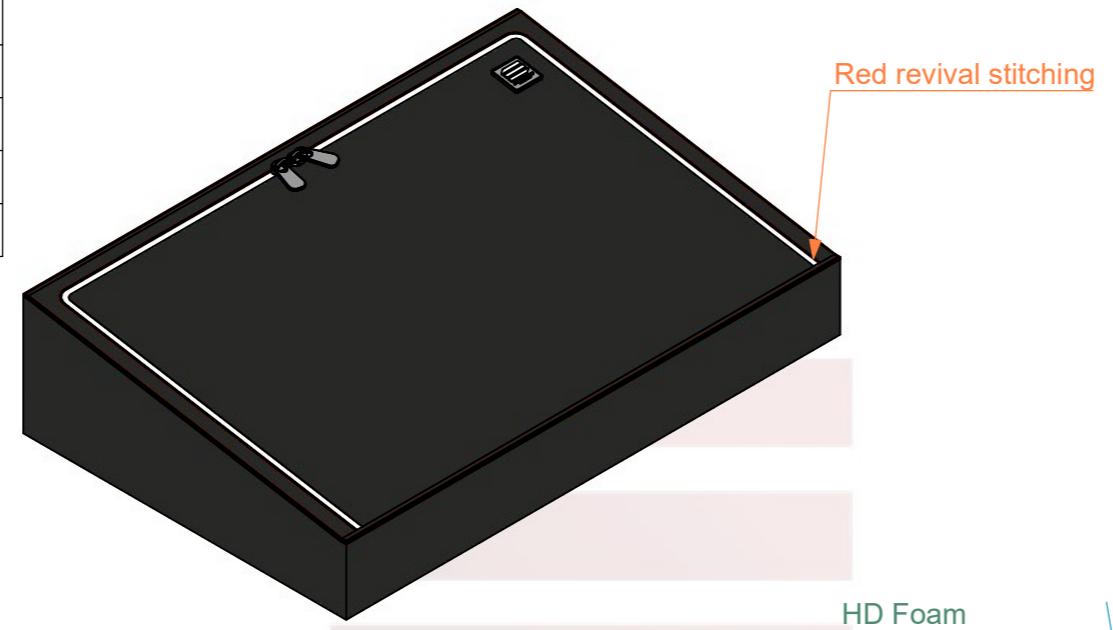
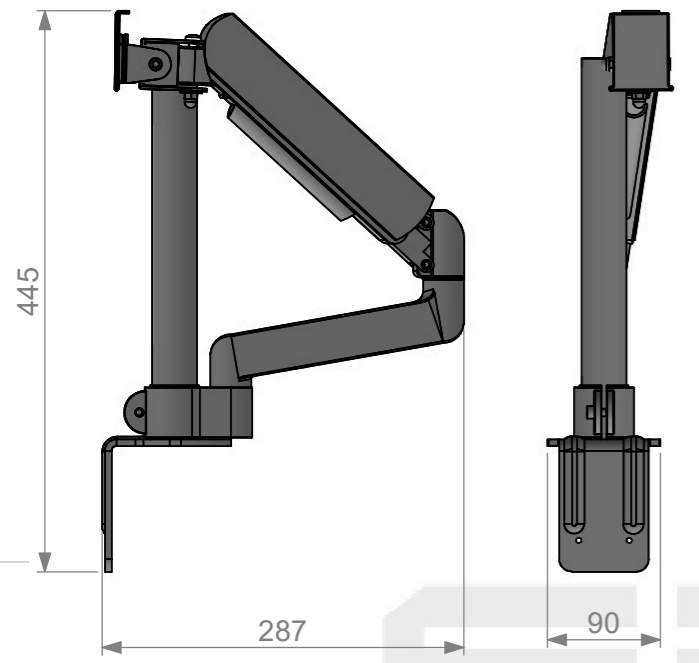
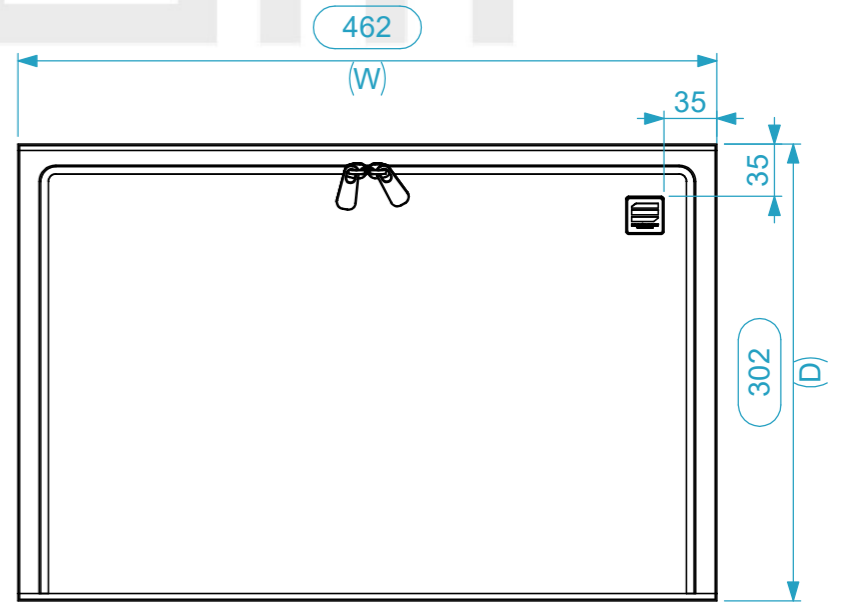
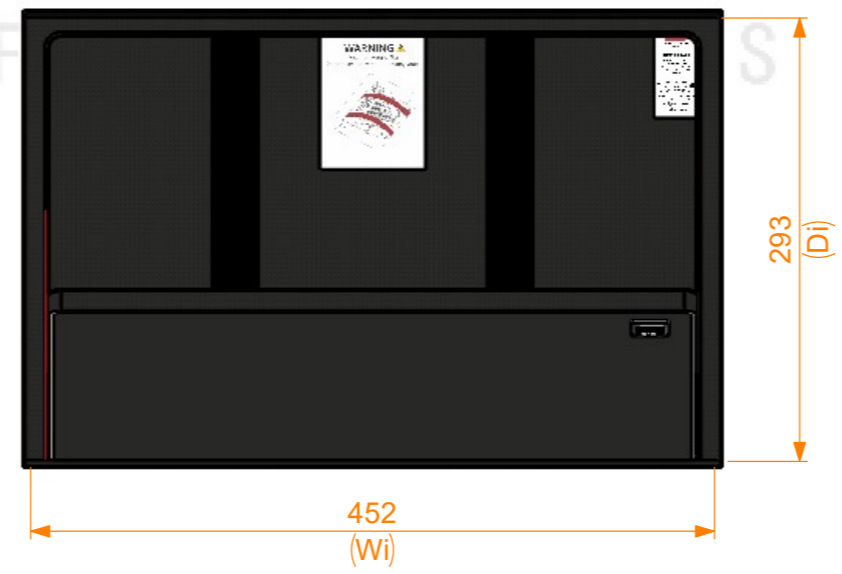
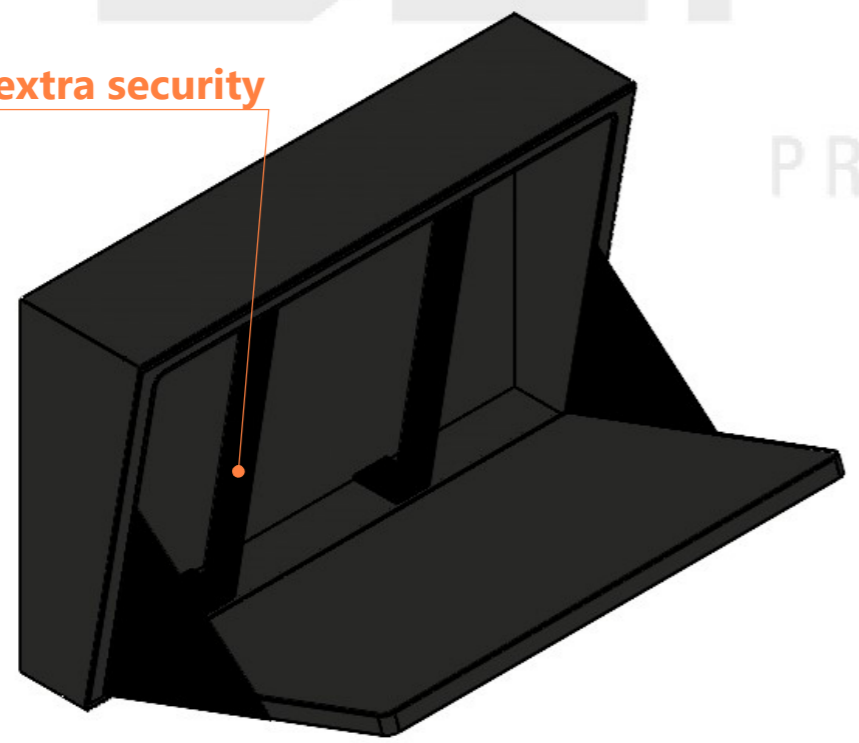


Equipment	Swivel Arm	
Width	Depth	Height
287	90	445
Weight	Approx.2.4 Kg	
Internal Dimensions		
Width	Depth	Height
460	300	100
Weight	Approx. 2 Kg	
Wall Thickness		3 mm

**Maximum Weight
4 KG**



Velcro for extra security



General External Dimensions		Usable Inner Dimensions	
W	Width	Wi	Inside Width
D	Depth	Di	Inside Depth
H	Height	Hi	Inside Height

This drawing must not be copied or disclosed without consent of the owner

Drawn by	Name	Date
jose.couto	jose.couto	11/11/2025
Reference	BAG2.0463010A	
Scale	units in mm	general tolerance 0.8mm
1:5	DO NOT SCALE	
1st Angle projection	Reinforced Bag 460x300x100/50 mm	

