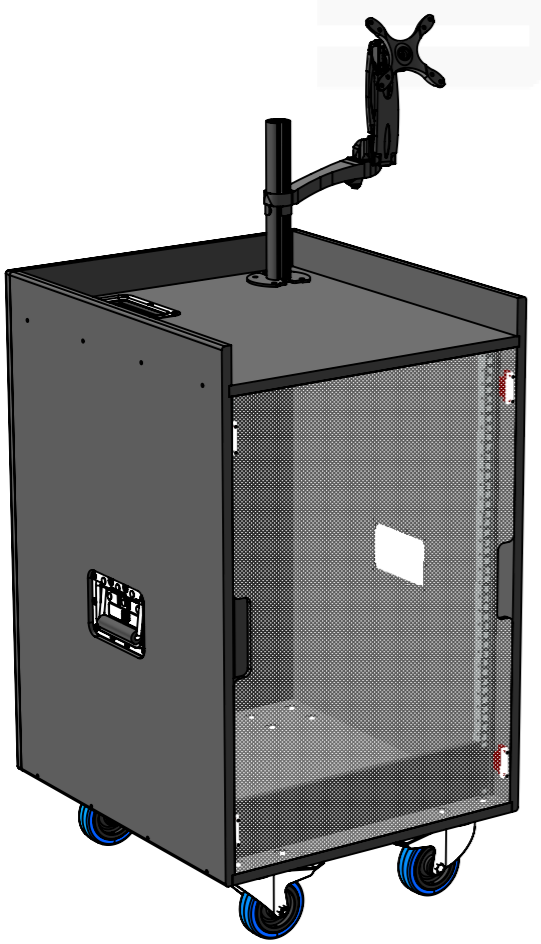
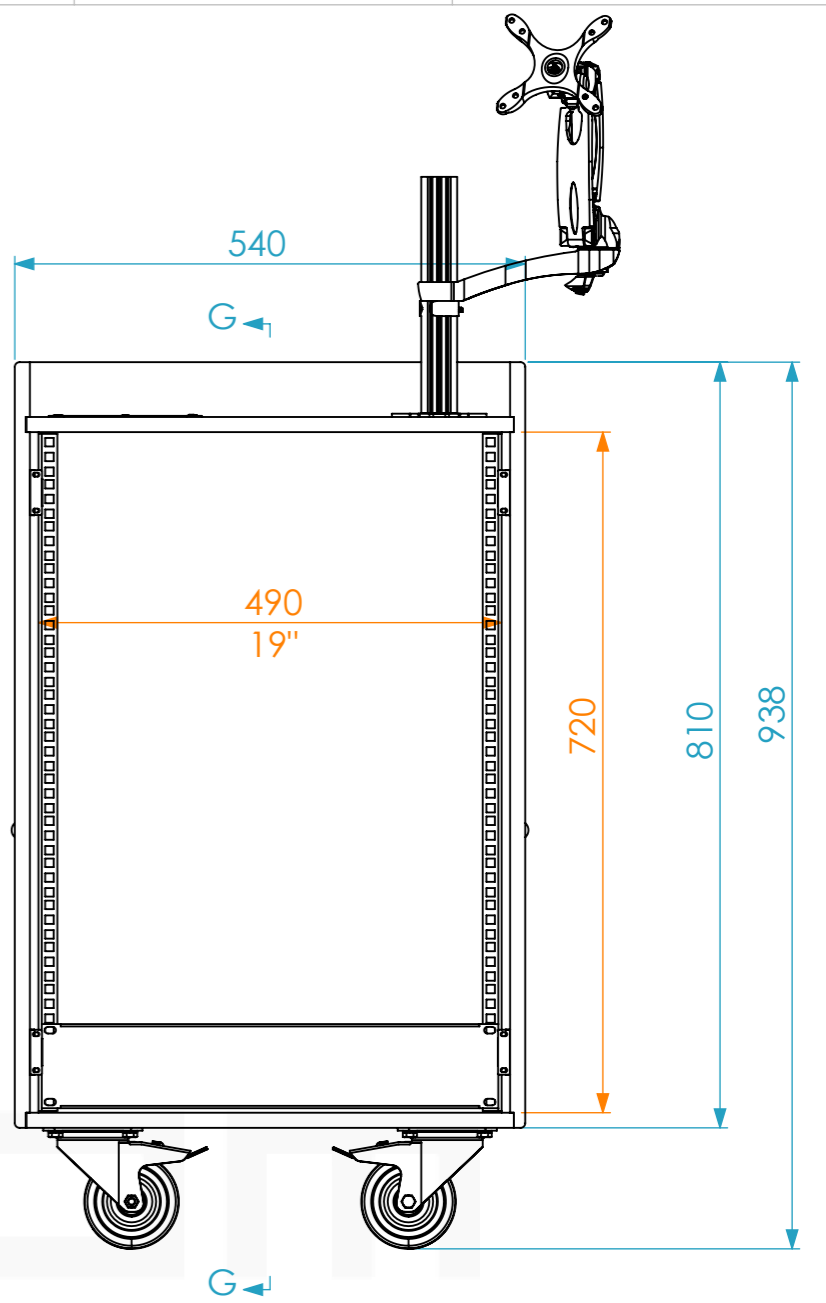
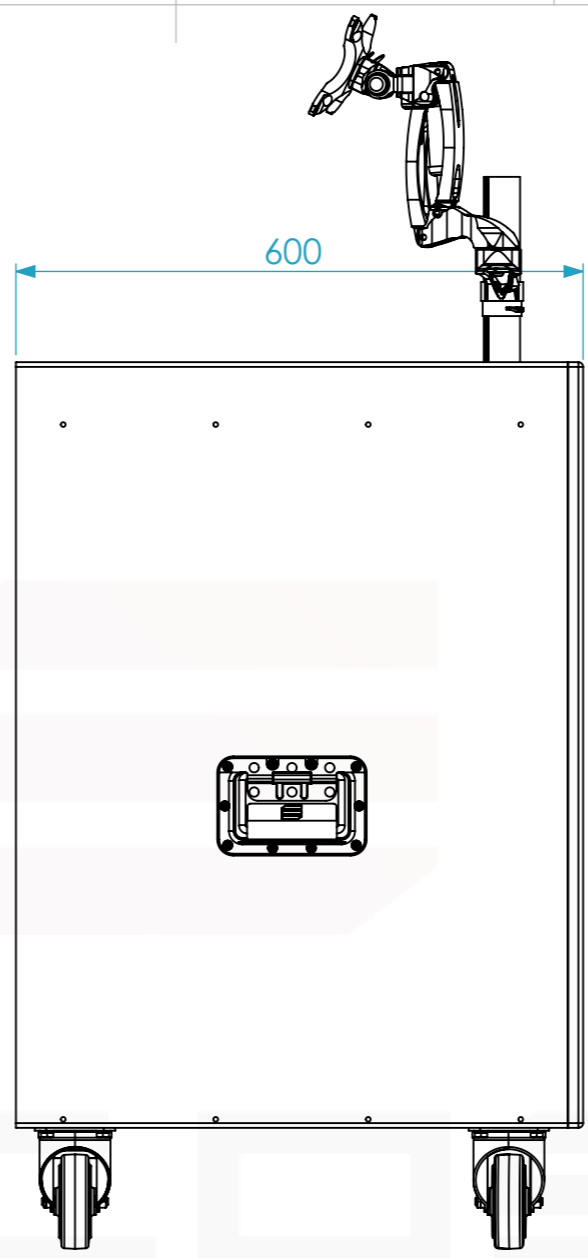
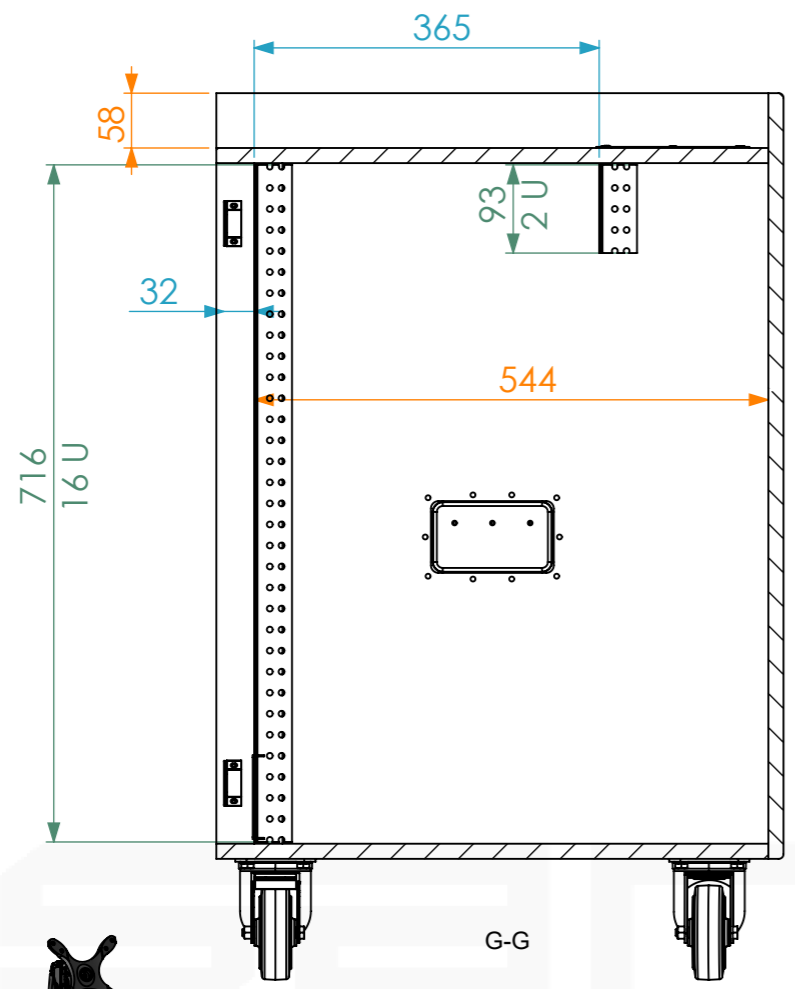
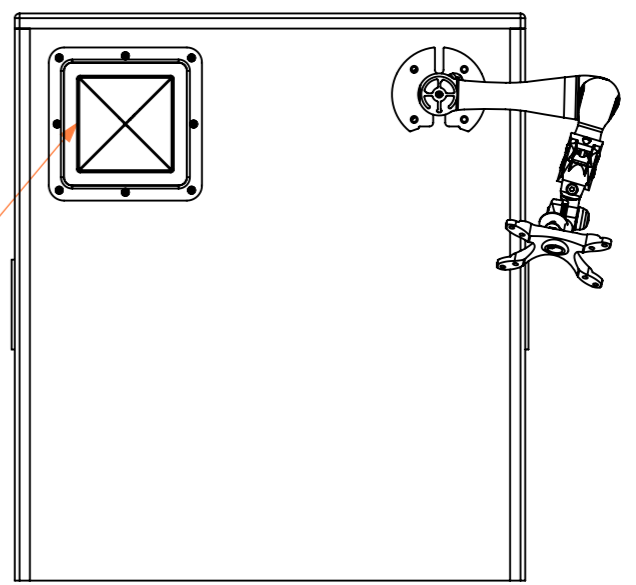


Internal Dimensions		
Width	Depth	Height
490	544	720
Weight	Approx. 29.5 Kg	
Wall Thickness	16mm	



PROFESSIONAL CASES

CABLE GLAND  
IN DISH



Drawn by	Name	Date
CarlaSilva	CarlaSilva	04/02/2021
Reference	BA2A.1660AR1	
Scale	units in mm	general tolerance
1:8	DO NOT SCALE	0.8mm
1st Angle projection	19" wood Rack BA2A, 16U+50 500	



This drawing must not be copied or disclosed without consent of the owner

A3