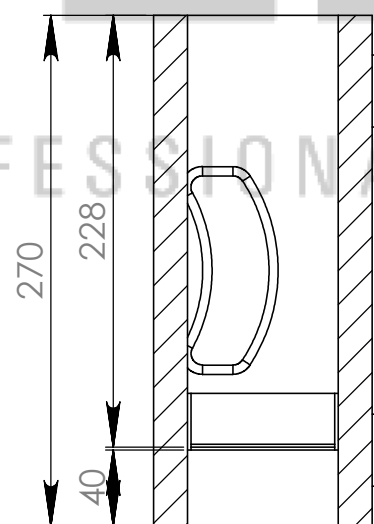
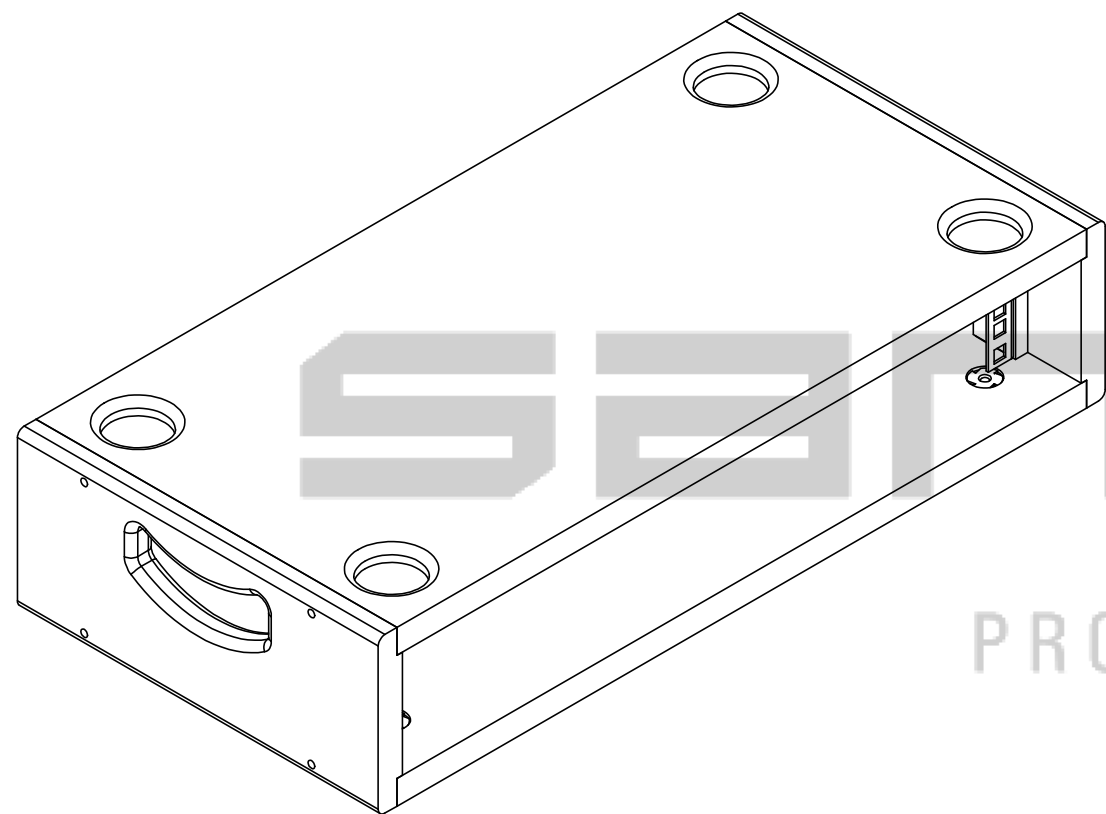
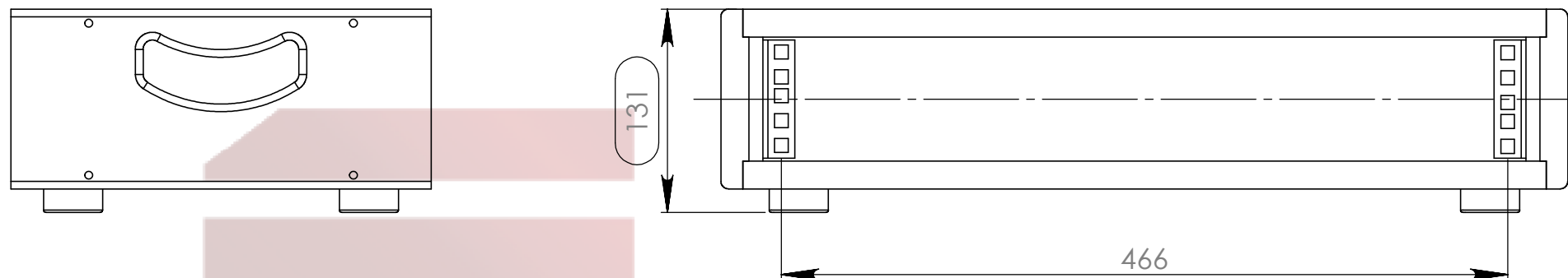
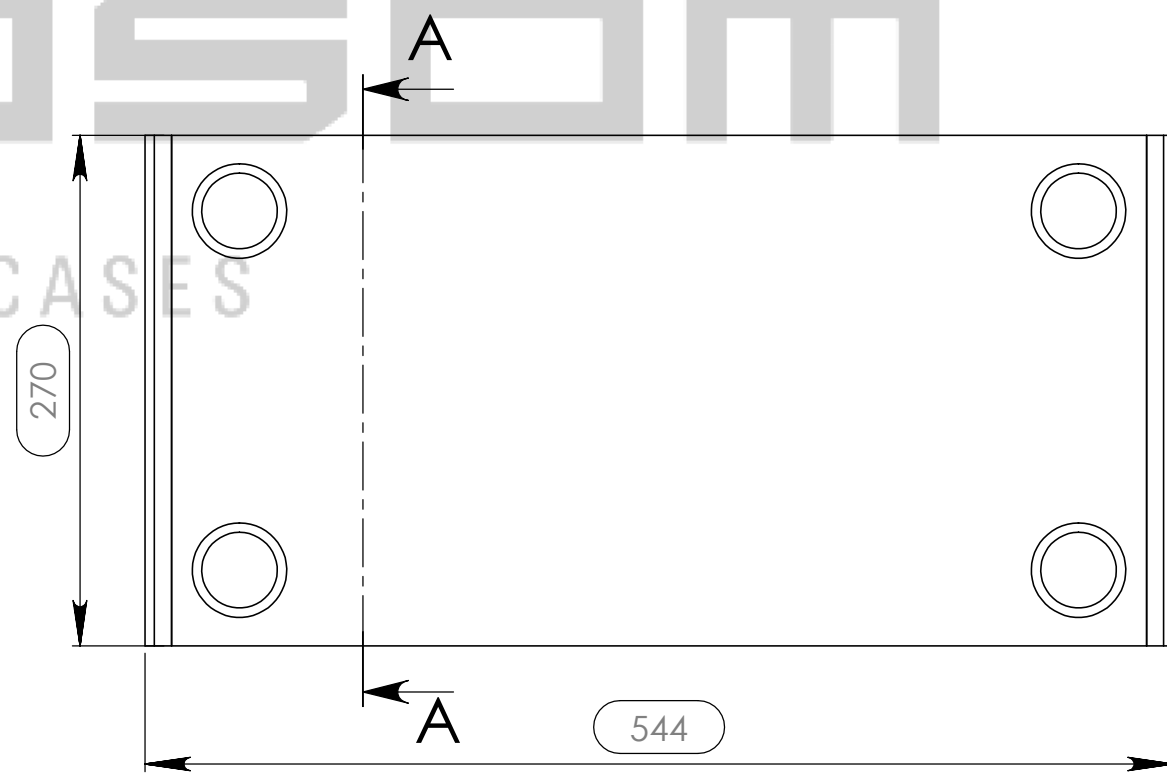


Interior dimensions		
Width	Depth	Height
19"	270	1.5Un
Weight	Approx. 4.4 Kg	
Wall Thickness		18mm



SECTION A-A



Hardware	
Qty	Description
4	Rubber foot 38mm x 15 mm

Drawn by	Name	Date
DanielLopes	DanielLopes	12-11-2012
Reference	BA2A.01.527	
Scale	units in mm	general tolerance
1:4	DO NOT SCALE	0.8mm
1st Angle projection		
Bastidor Laminado Preto, 1.5 UN, 270mm, prof		



This drawing must not be copied or disclosed without consent of the owner

A3