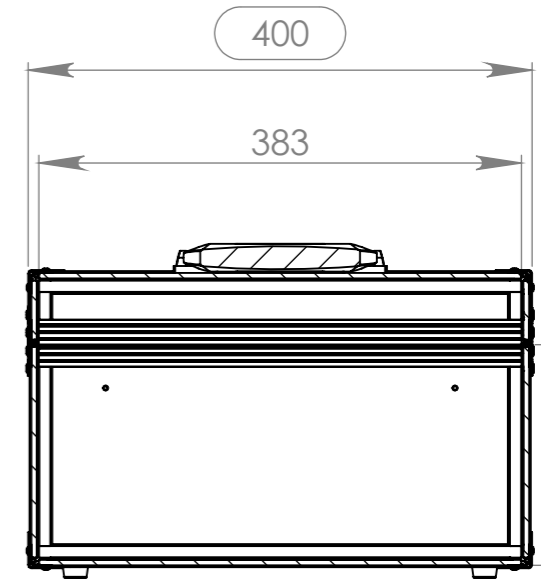
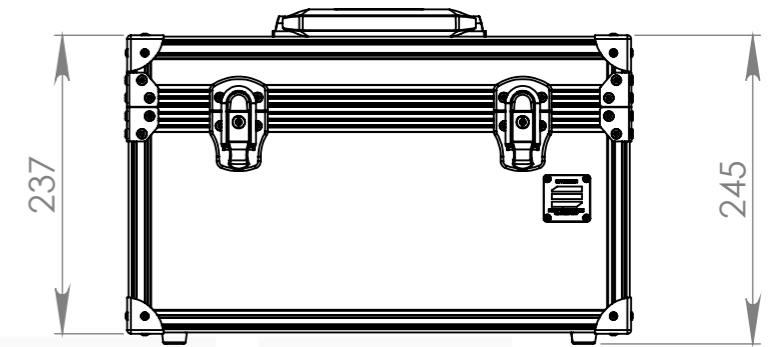
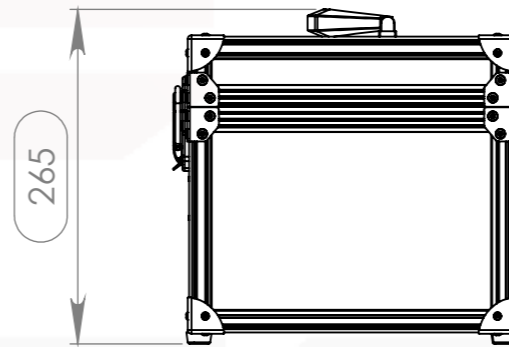
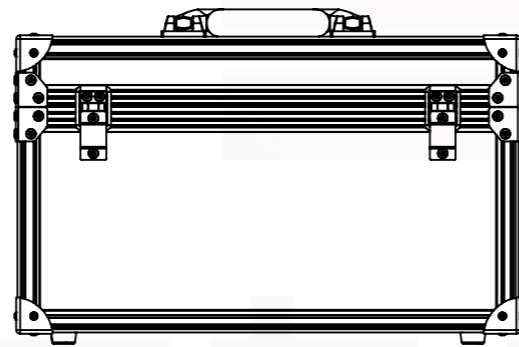
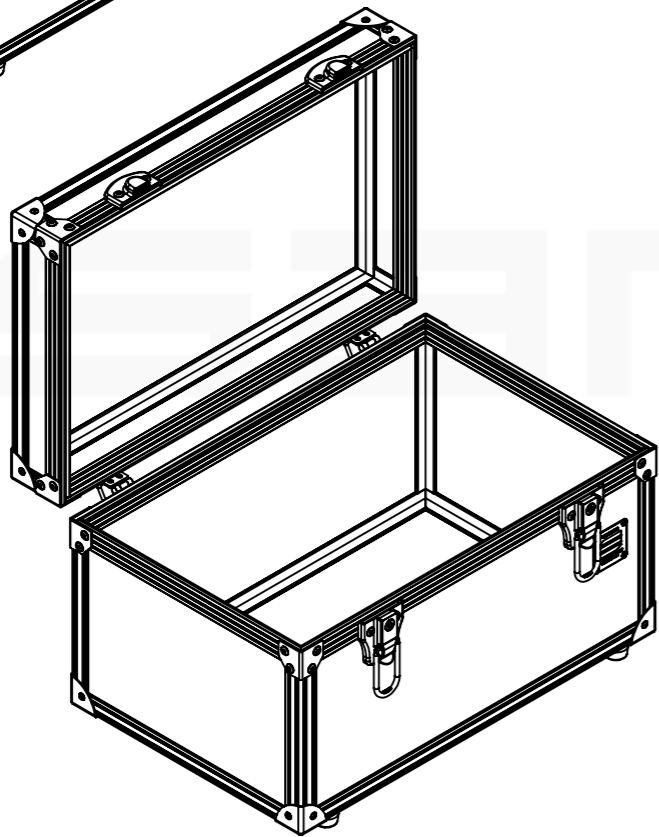
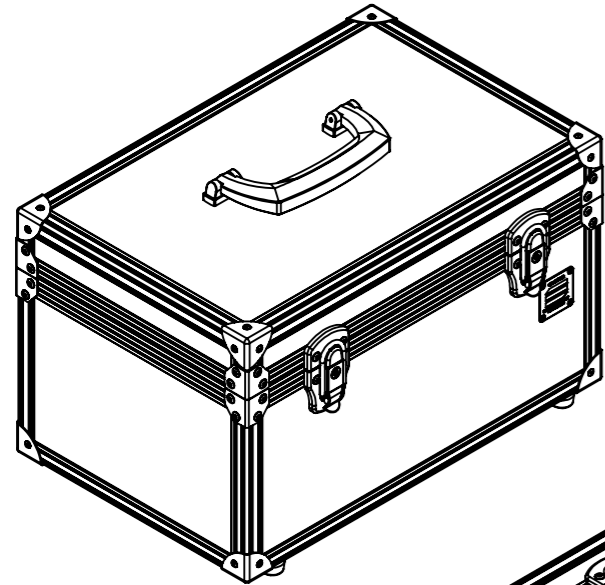
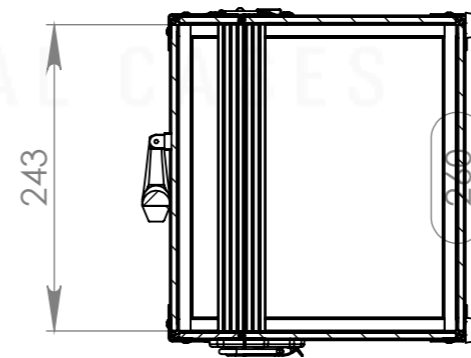


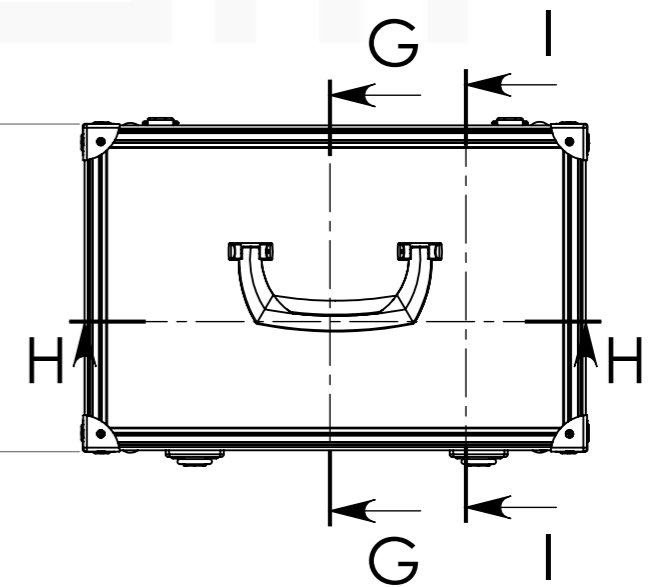
Internal Dimensions		
Width	Depth	Height
383	243	223
Weight	Approx. 2 Kg	
Wall Thickness	4.5mm	



SECTION H-H



SECTION G-G



Qty	Ref.	Description
8	4046	Small corner brace - suits 6136 casemaker
2	1903	Heavy drawbolt with lock chrome
4	4903	Rubber foot 20 x 9 mm, black
1	H1432	Briefcase Handles - Matt Chrome with Black Grip
8	4008	Small case corner nickel plated
2	P1325.25	Small Strut Hinge, 25mm / 1"
1	CHAPA.1001	Identification Plate

This drawing must not be copied or disclosed without consent of the owner



Scale 1:6

units in mm

DO NOT SCALE

general tolerance 0.8mm

SANTOSOM BRIEFCASE 400X260X264

Name projects Date 13/01/2017

Reference B1AA.0402624



A3