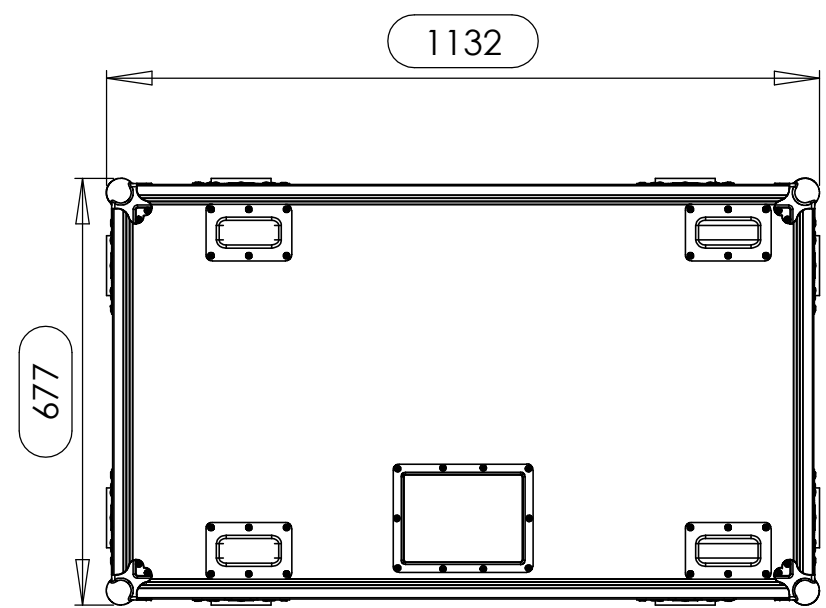
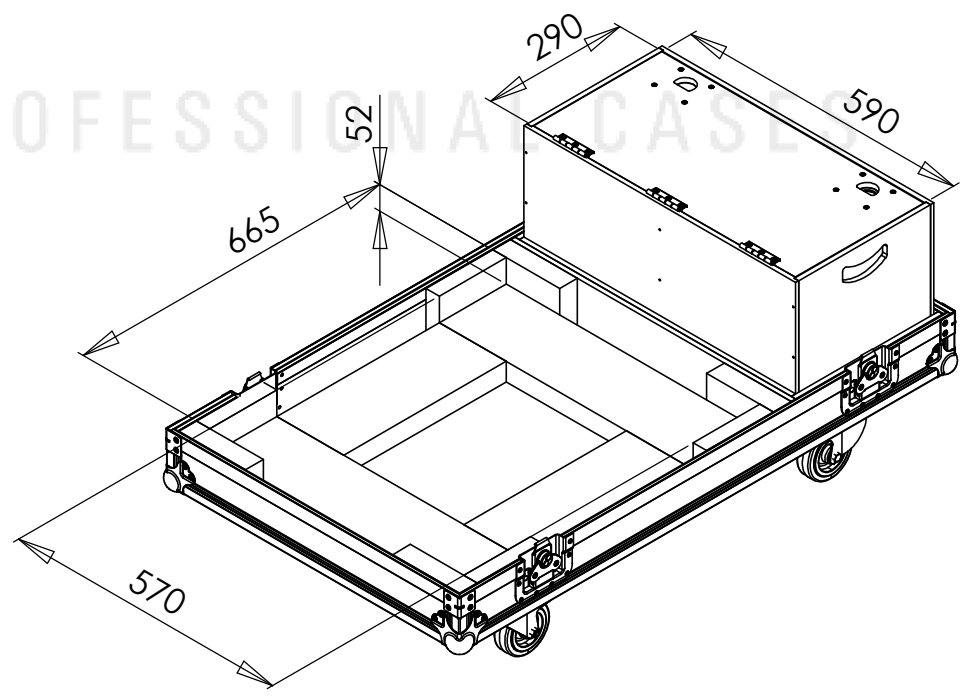
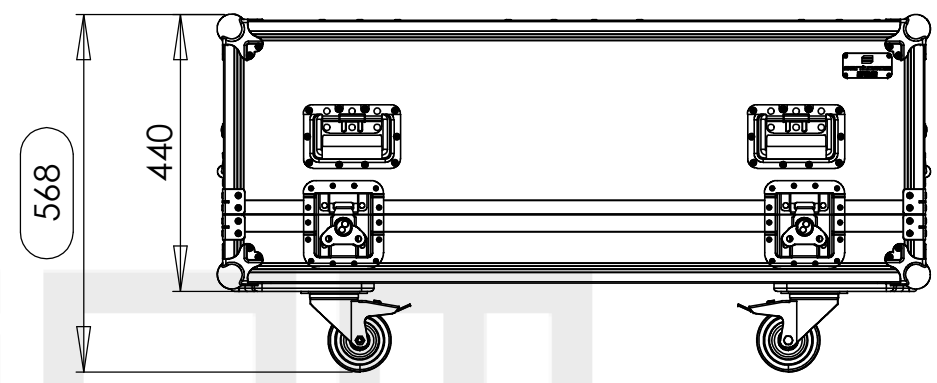
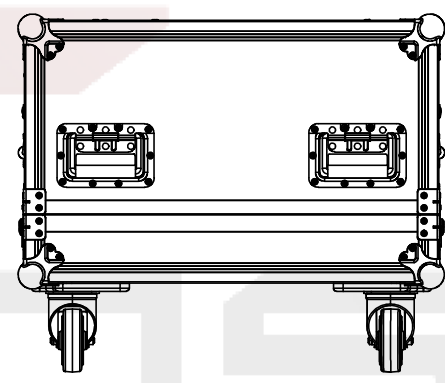
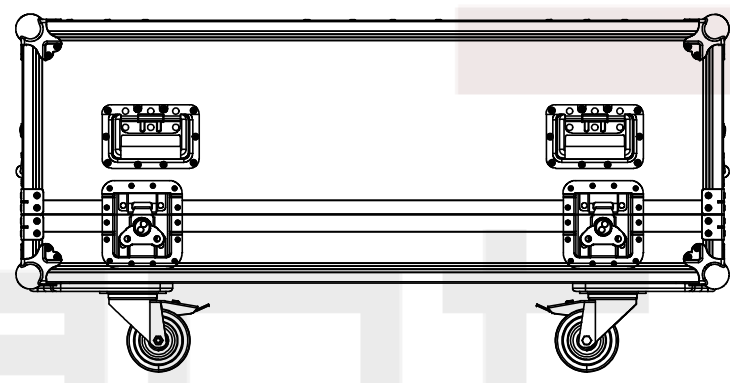
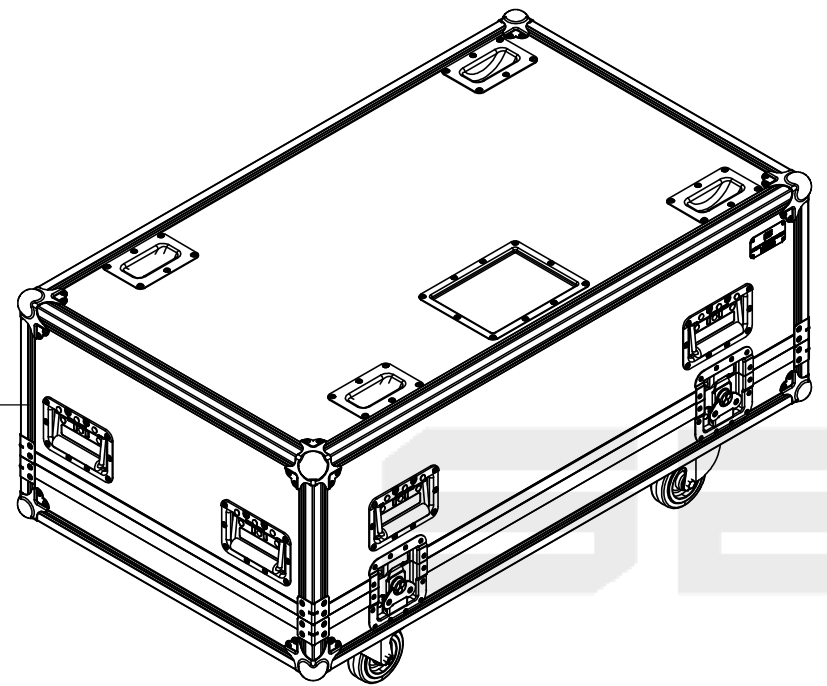
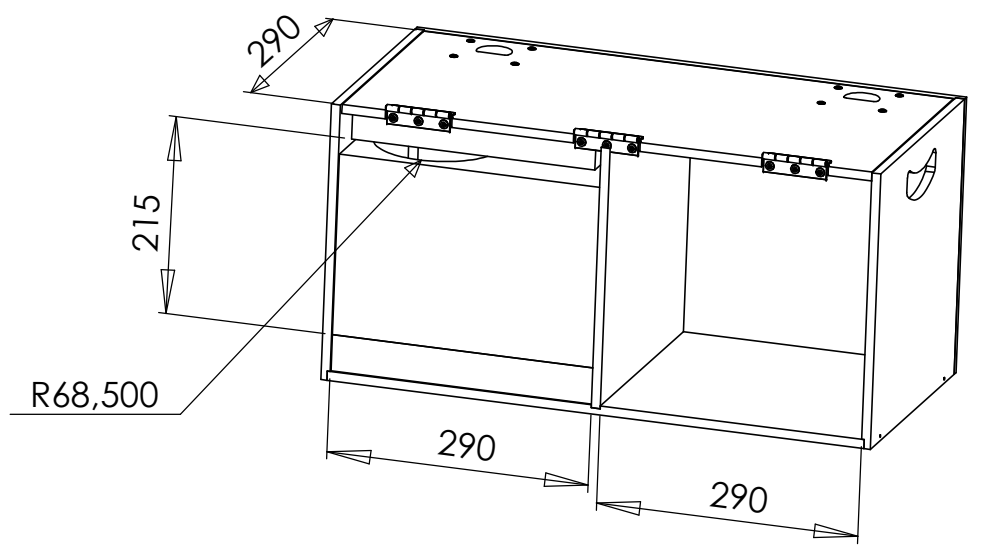
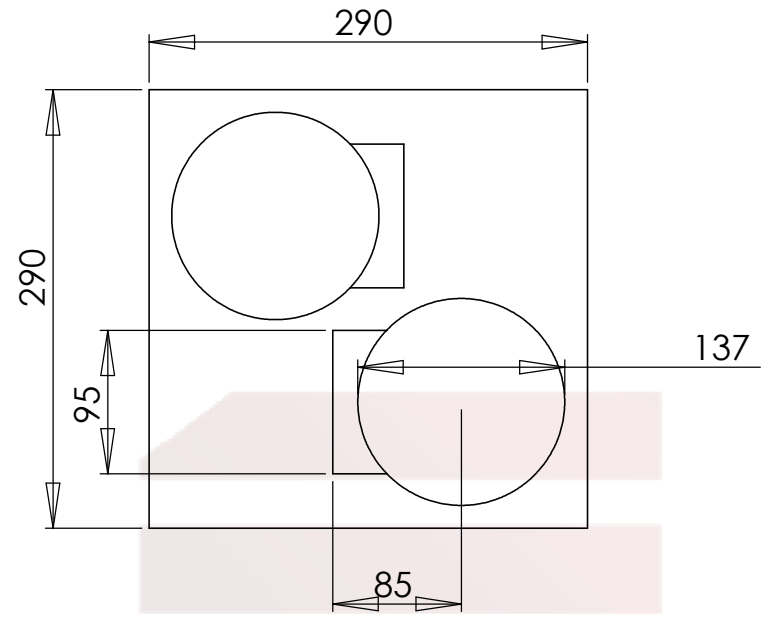


Interior dimensions		
Width	Depth	Height
665	570	323
Weight	Approx. 45 Kg	
Wall Thickness	10mm	

Revision Table				
Index	Rev.	Description	Date	Draw
-	0	Final drawing	25/08/2014	Daniel Lopes



Hardware		
Qty	Ref.	Description
8	40403	Large corner bracket f. 35mm case angle
8	410429	Heavy Duty Ball Corner
1	88001D	Dish for 88001 Tour Label
1	CHAPA.1000	Identification Plate
8	34082	Recessed sprung handle medium model
4	172531	Large butterfly V3 with 'push-back' function
2	RODA.100T	Swivel castor Ø100mm with brake
2	RODA.100	Swivel castor Ø100 mm
4	38083	Castor dish deep zinc plated
3	2602	Medium duty butt hinge z./p.
2	16540	Sliding Latch System - Sliding Latch

This drawing must not be copied or disclosed without consent of the owner

Name	Date
Drawn by	DanielLopes 25-08-2014
Reference	AVPROJ.221R
Scale	1:12
units in mm	general tolerance 0.8mm
DO NOT SCALE	
1st Angle projection	FC, CHRISTIE ROADSTER WU20K-J, RODAS

