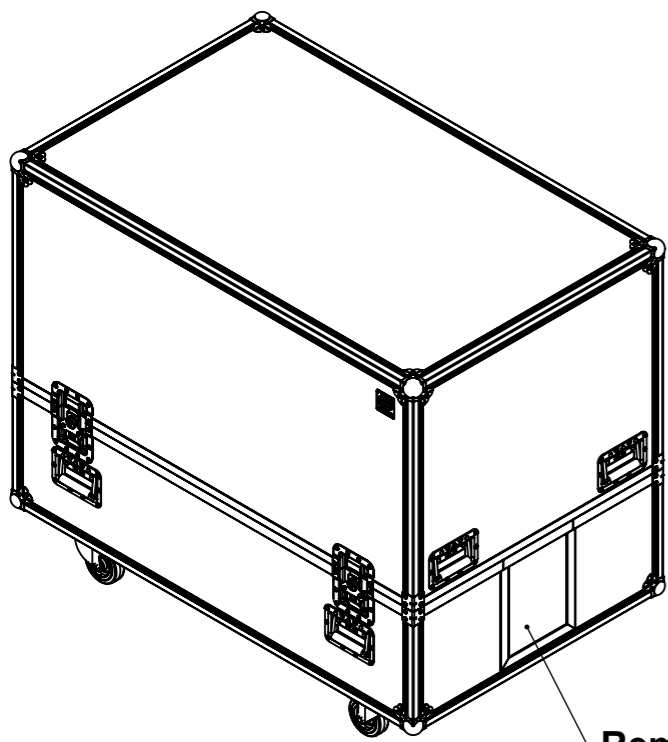
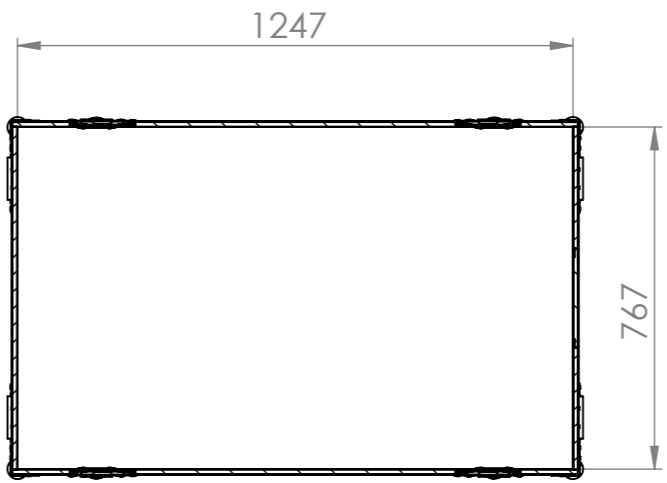


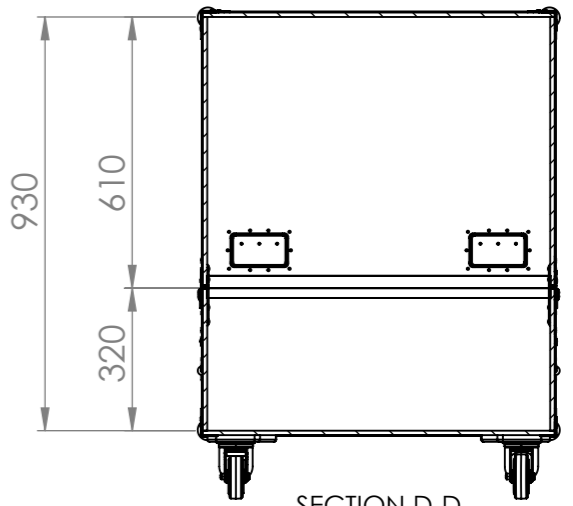
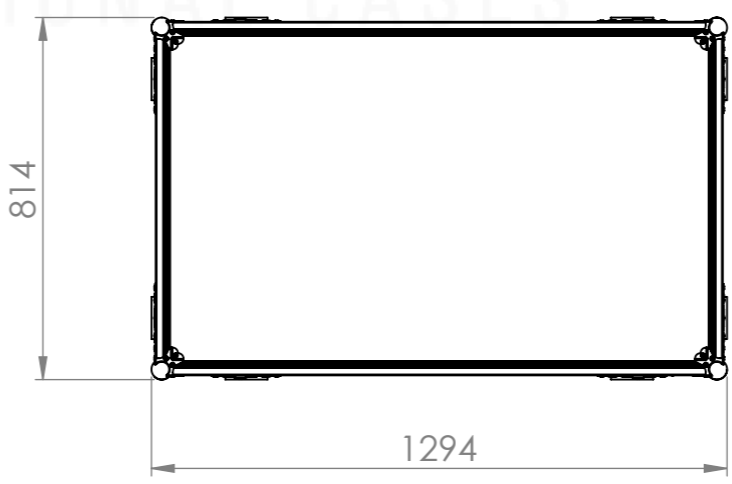
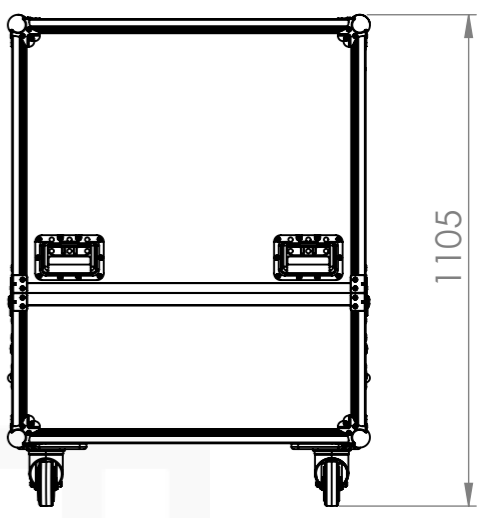
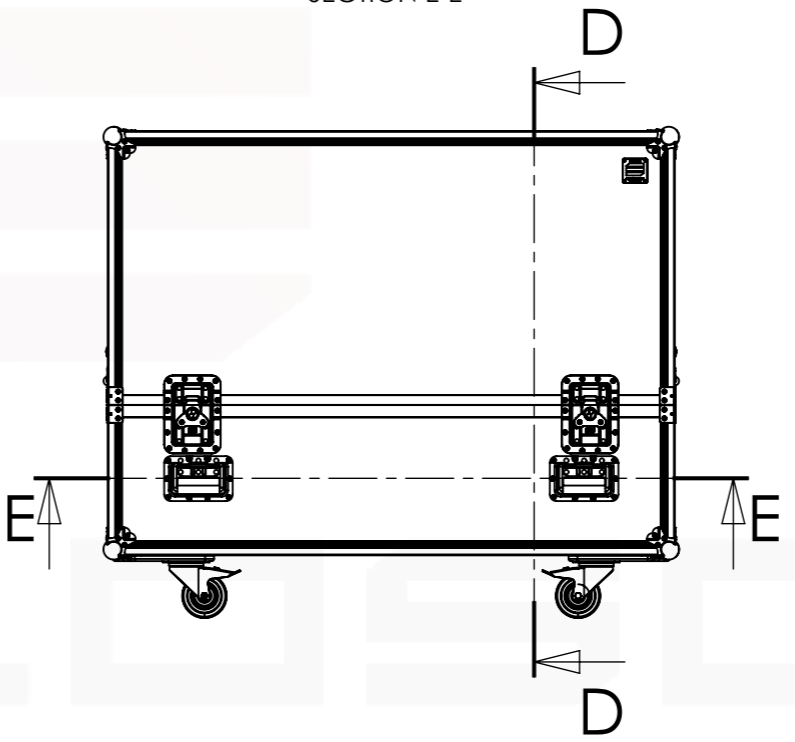
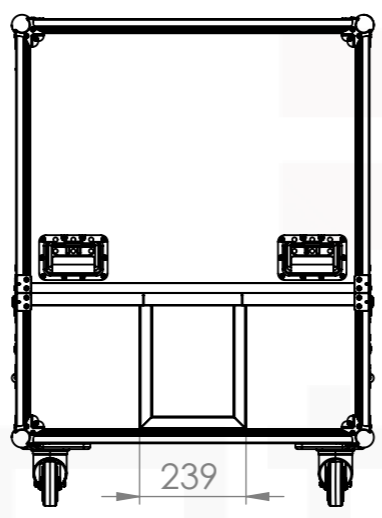
Internal Dimensions		
Width	Depth	Height
1249	769	930
Weight	Approx. 56 Kg	
Wall Thickness	10mm	



Removable panel



SECTION E-E



SECTION D-D

Hardware		
Qty	Ref.	Description
8	34082	Recessed Sprung Handle Medium
8	40403	Large corner bracket f. 35mm case angle
1	CHAPA.1000	Identification Plate
4	172511COMP	Large AH butterfly with 'push-back', 14mm dish
2	RODA.100T	Swivel castor Ø100mm with brake
2	RODA.100	Swivel castor Ø100 mm
8	410429	Ball Corner large three-leg cranked 35 mm 9 holes

This drawing must not be copied or disclosed without consent of the owner

Drawn by	alexandre	Date	27/04/2017
Reference	AVPROJ.220A		
Scale	1:17	units in mm	general tolerance 0.8mm
1st Angle projection	FLIGHTCASE NEC 3200 DLP RODAS		

