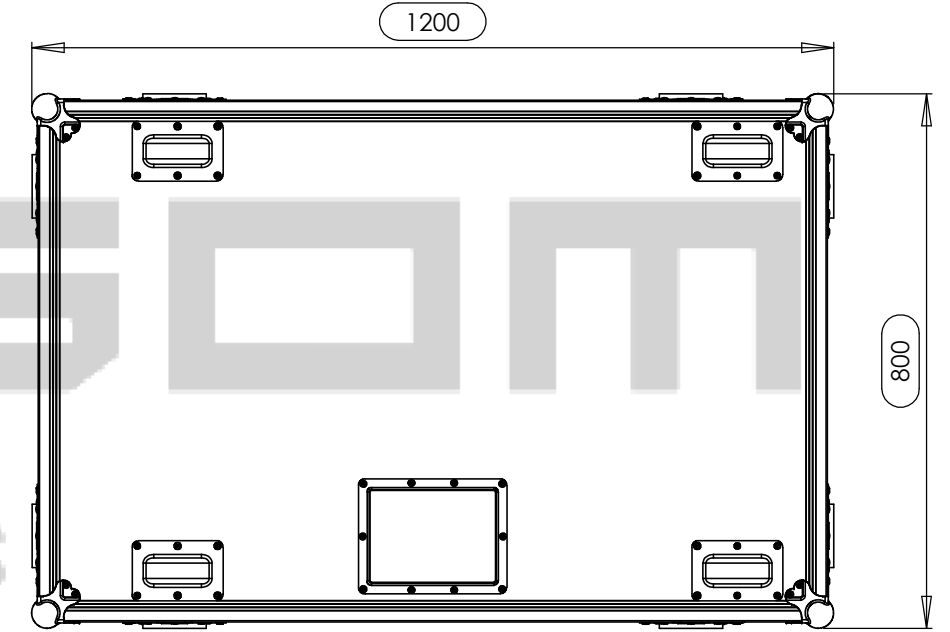
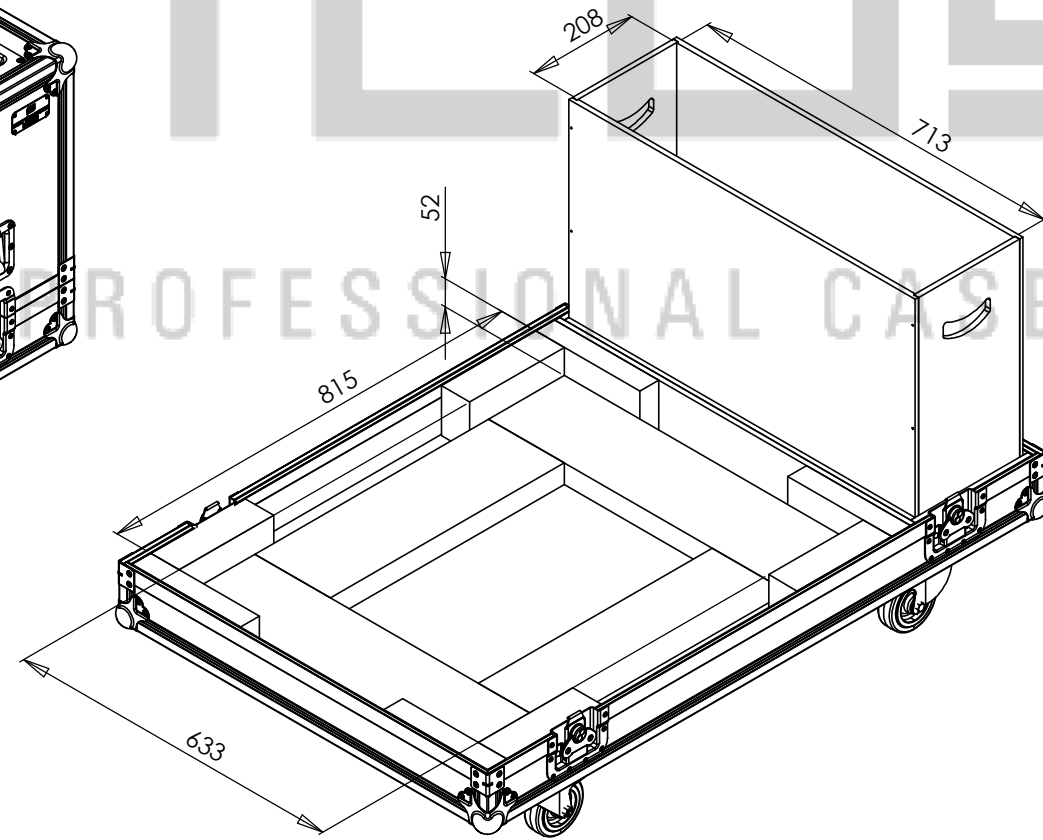
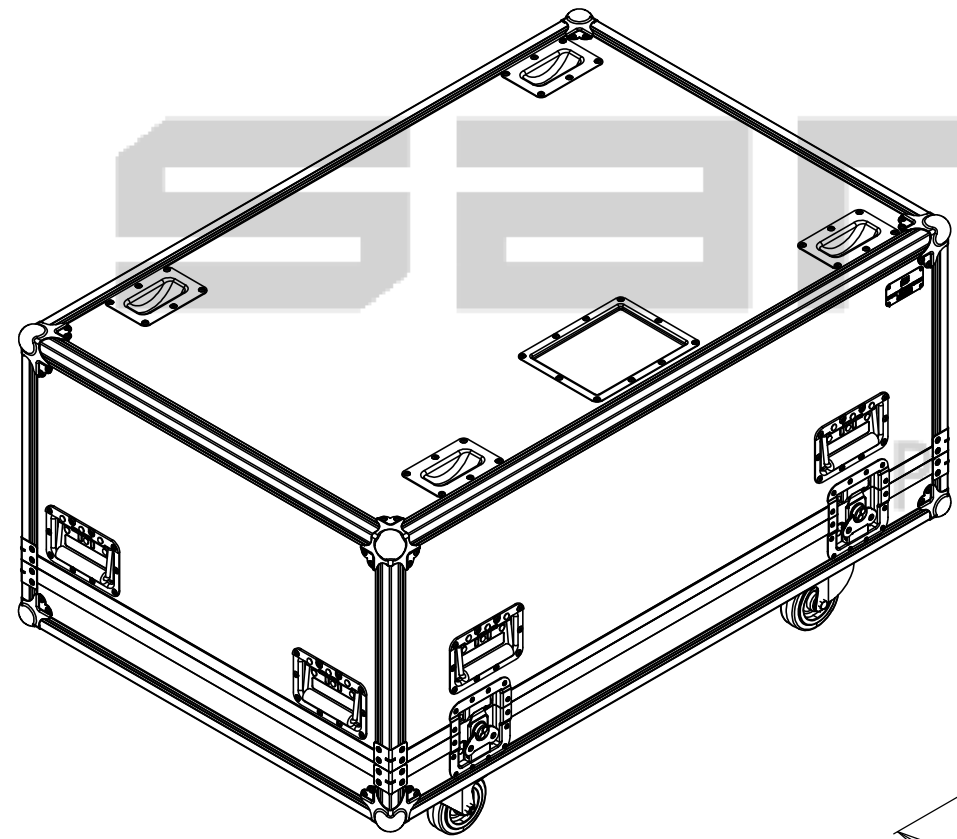
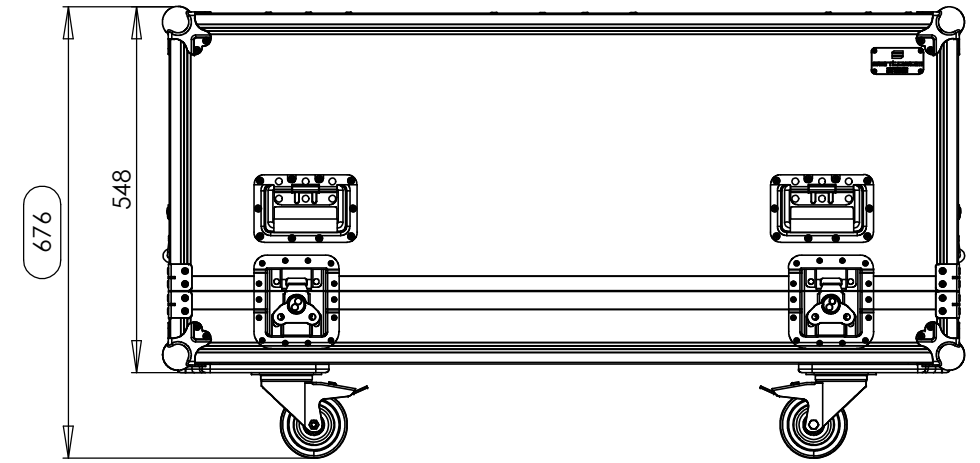
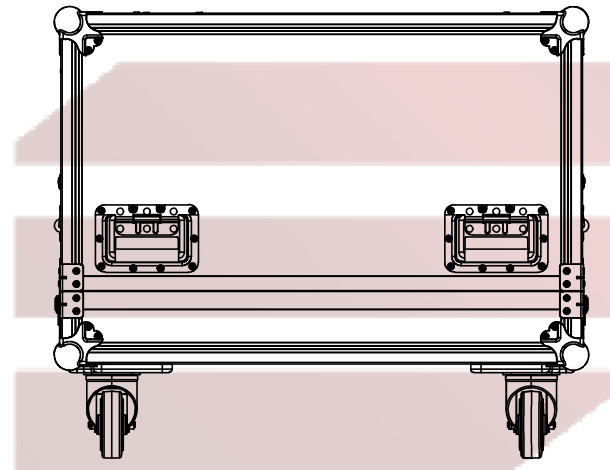
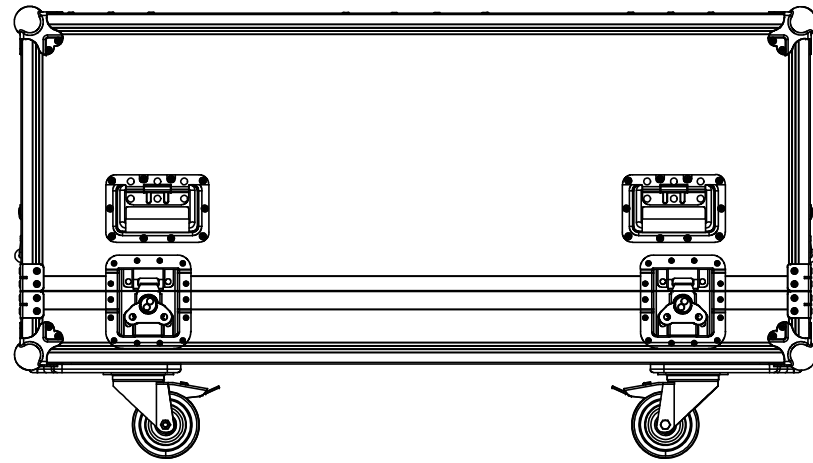


Interior dimensions		
Width	Depth	Height
815	633	435
Weight	Approx. 61 Kg	
Wall Thickness	10mm	

REVISIONS				
ZONE	REV.	DESCRIPTION	DATE	APPROVED
-	-	Final Drawing	30/12/2011	Daniel Lopes
-	1	Updated Drawing	29/01/2014	Daniel Lopes



Drawn by	Name	Date
Daniel Lopes	Daniel Lopes	29-01-2014
Reference	AVPROJ.183R1	
Scale	1:8	general tolerance ±0.1mm
1st Angle projection	FC, Projector Christie Roadster HD-18 H36 355MMX345MMXH90MM	



This drawing must not be copied or disclosed without consent of the owner