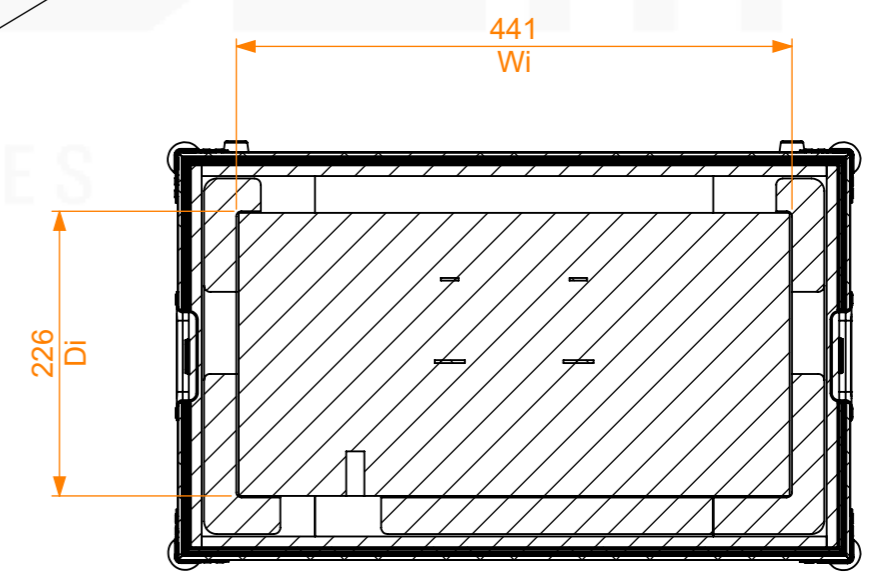
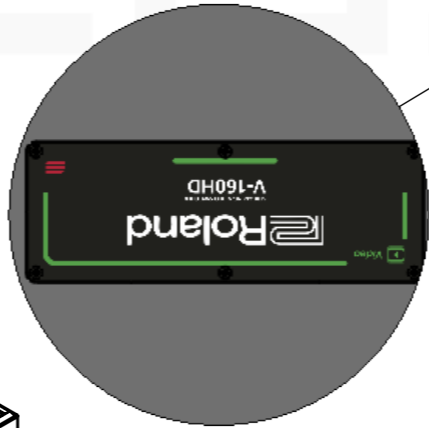
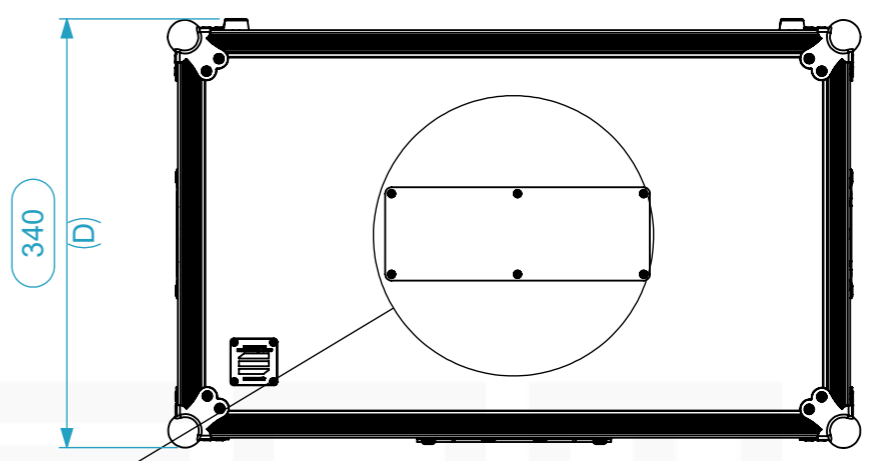
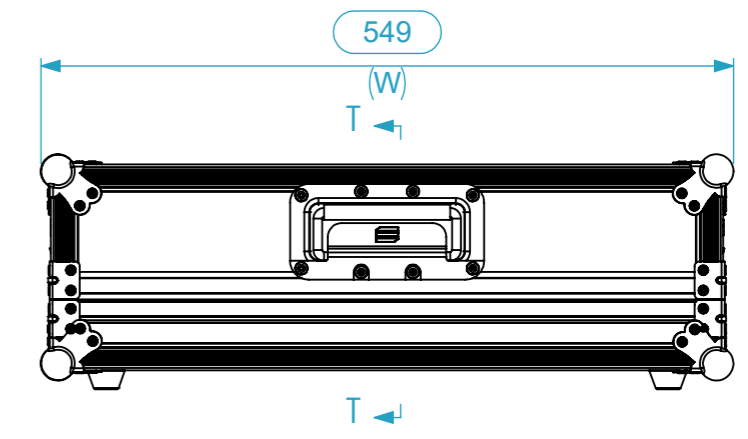
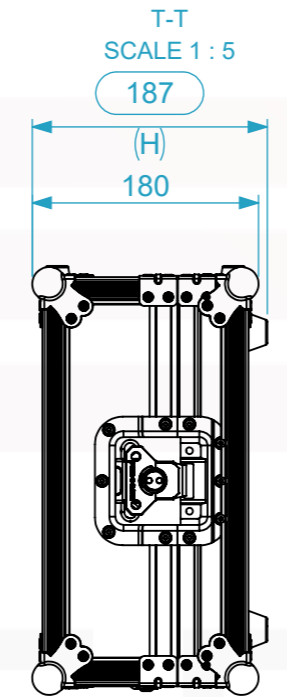
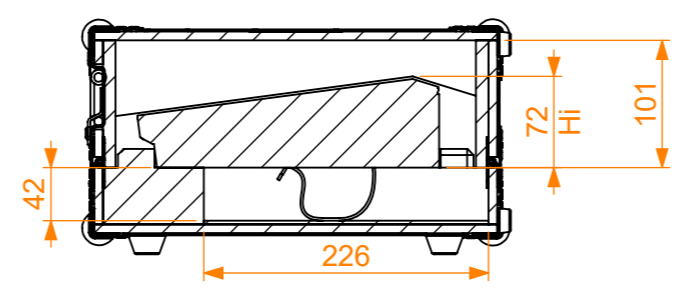
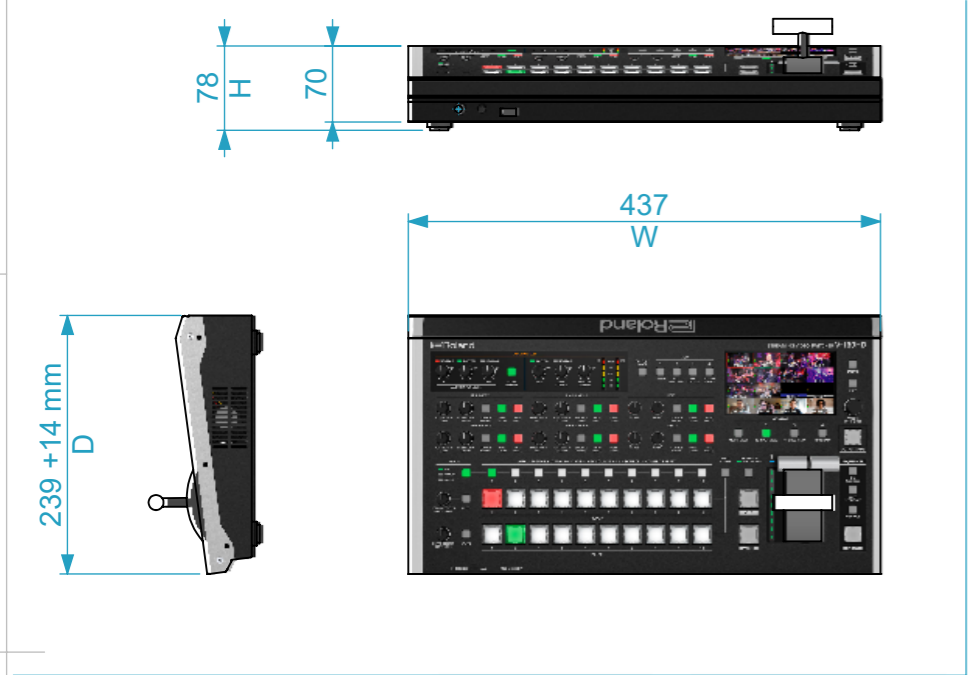


Equipment			Roland V-160 HD		
Width	Depth	Height			
437	253	95.5			
Weight	Approx. Kg				
Internal Dimensions					
Width	Depth	Height			
513	303	143			
Weight	Approx. 4.26 Kg				
Wall Thickness			7mm		



General External Dimensions		Usable Inner Dimensions	
W	Width	Wi	Inside Width
D	Depth	Di	Inside Depth
H	Height	Hi	Inside Height

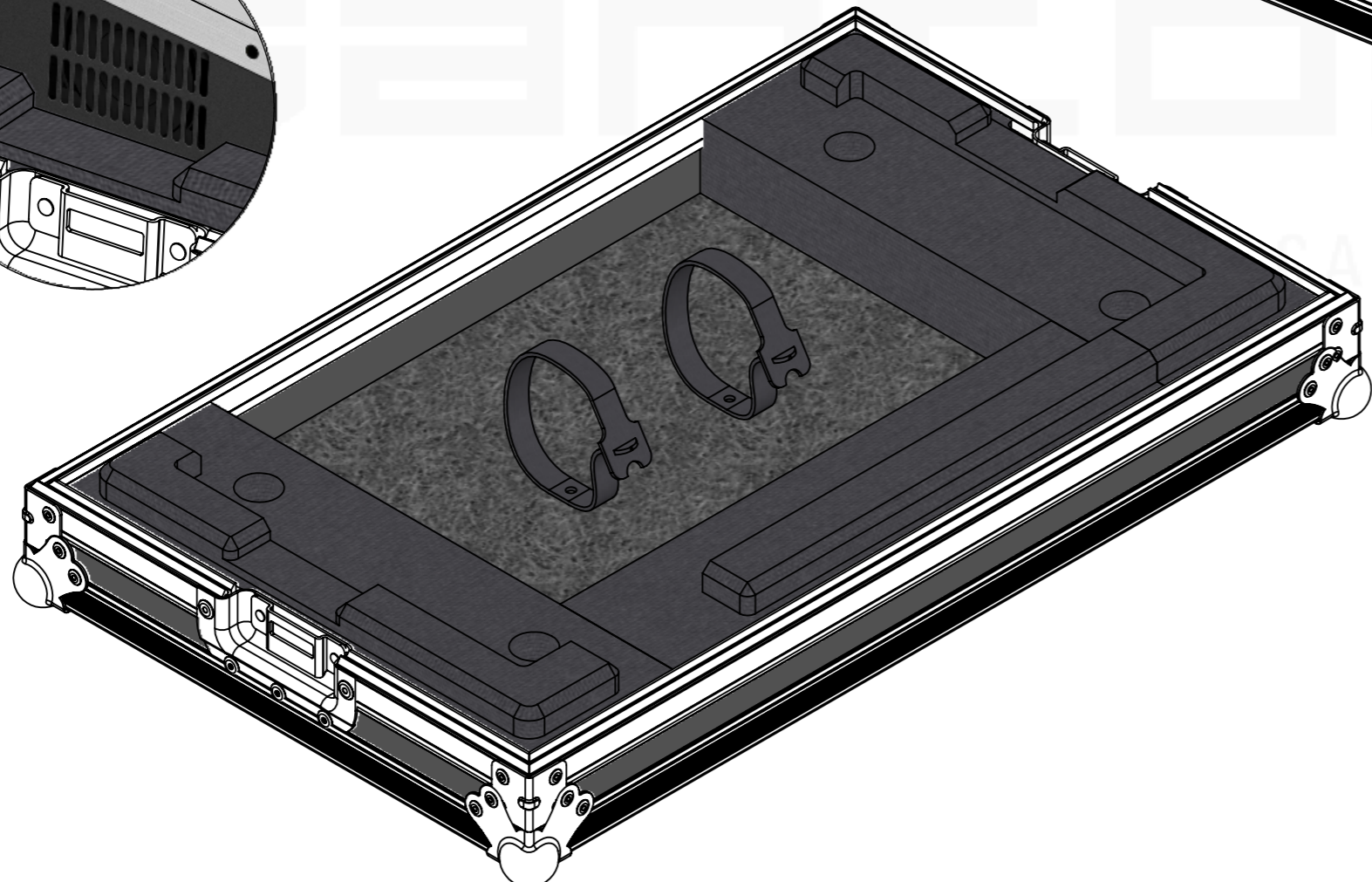
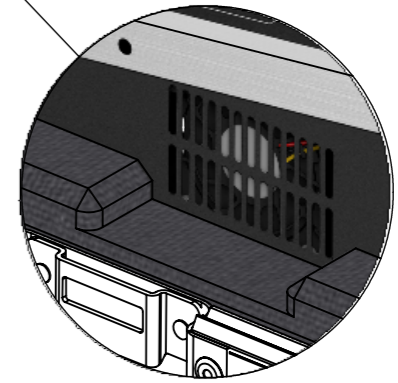
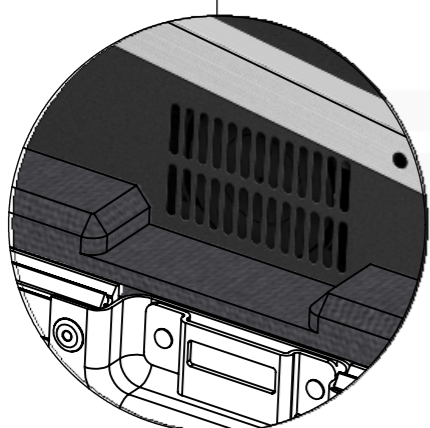
Name	Date
Drawn by paula.almeida	05/02/2026
Reference	AVMIXER.158
Scale	1:6
units in mm	general tolerance 0.8mm
DO NOT SCALE	
Flight case, AV Mixer Roland V-160	



This drawing must not be copied or disclosed without consent of the owner



A3



	Name	Date
Drawn by	paula.almeida	05/02/2026
Reference	AVMIXER.158	
Scale	units in mm	general tolerance
1:3	DO NOT SCALE	0.8mm
	Flight case, AV Mixer	
	Roland V-160	



This drawing must not be copied or disclosed without consent of the owner



A3