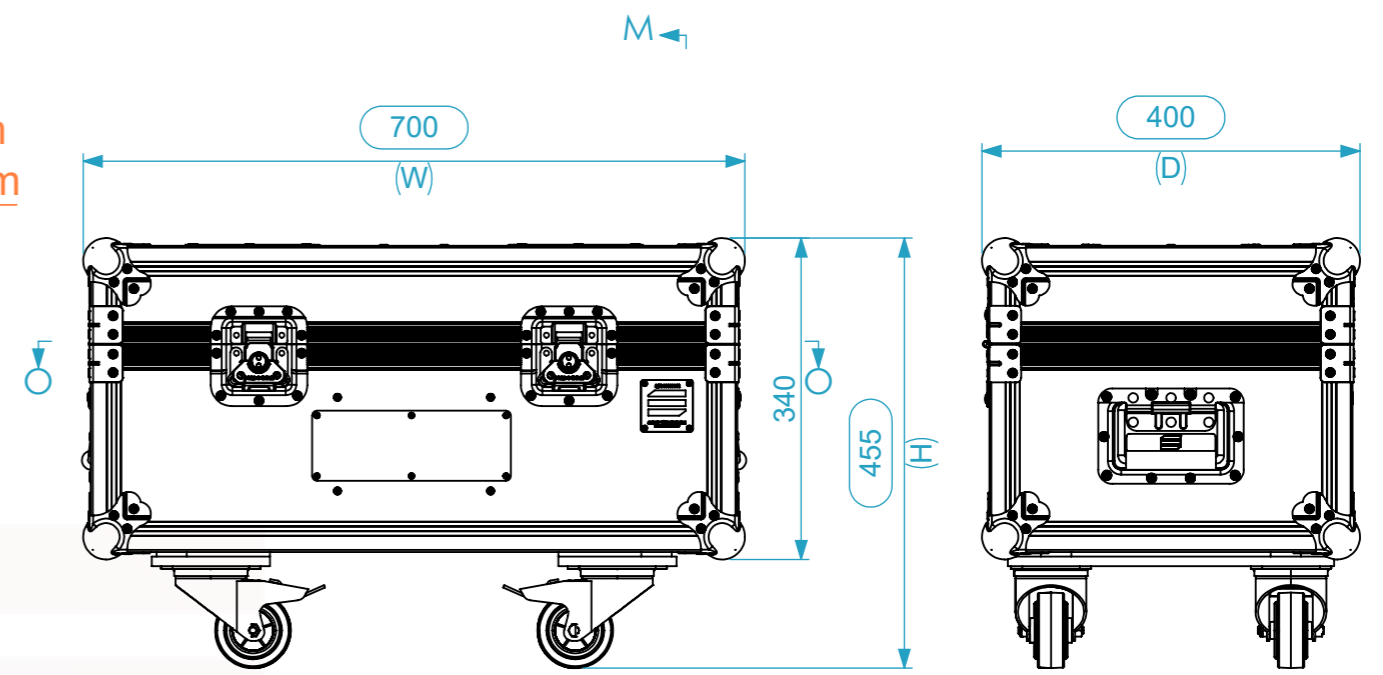
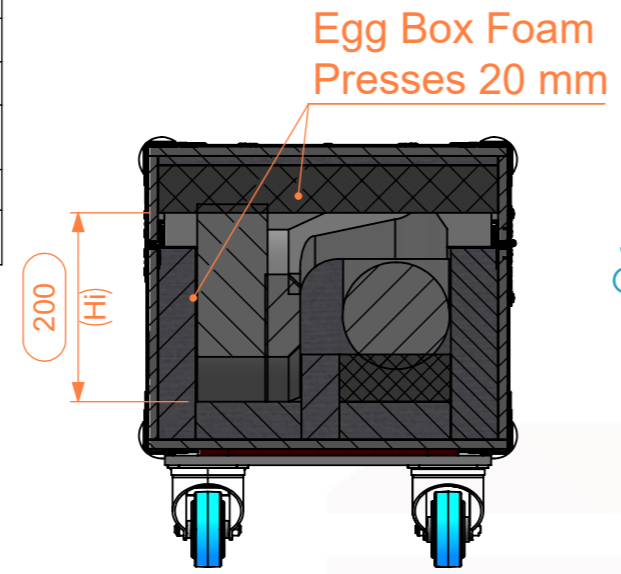
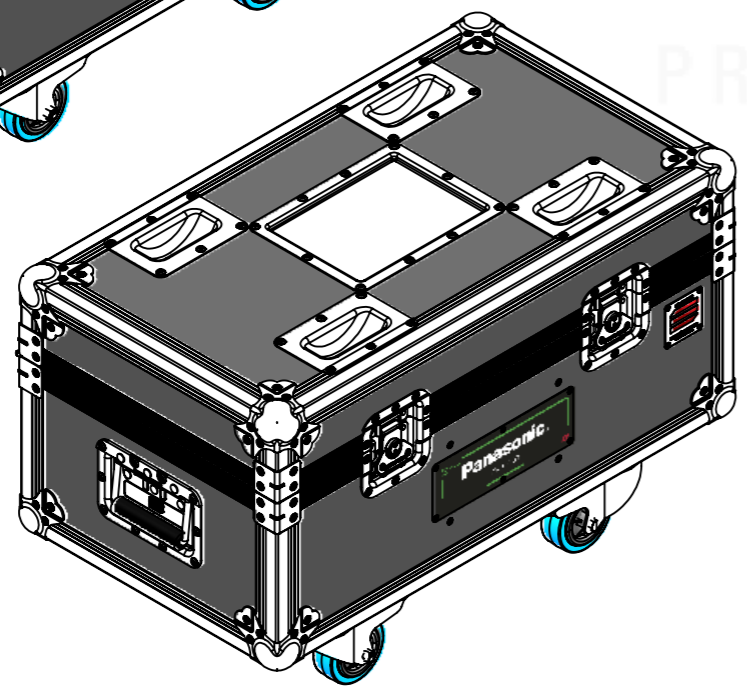
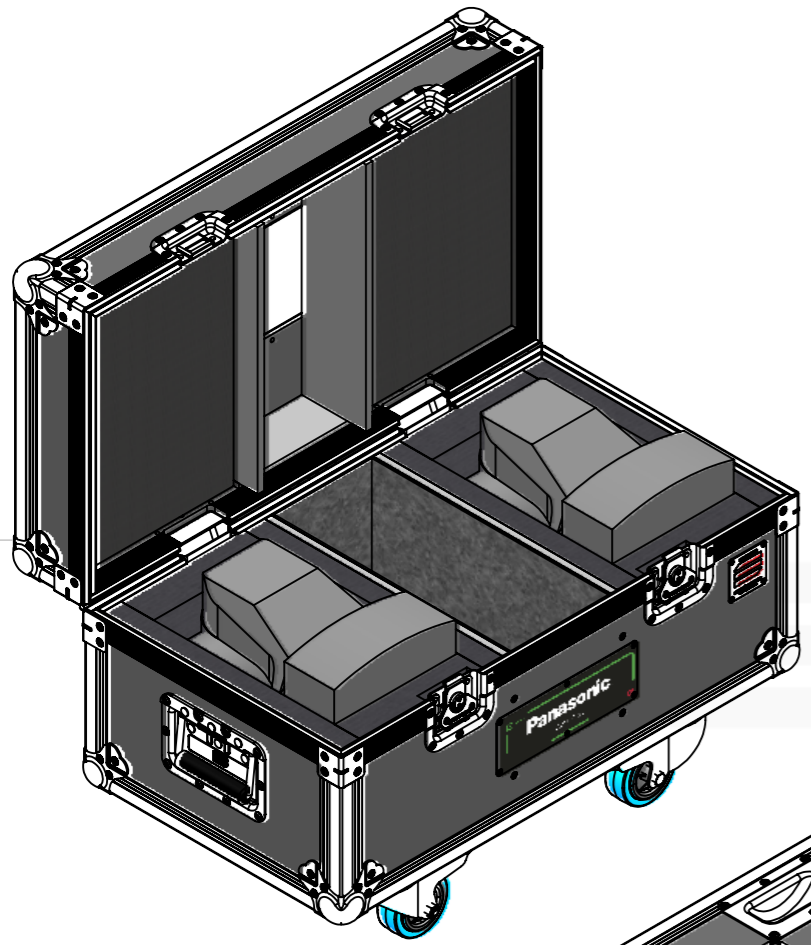
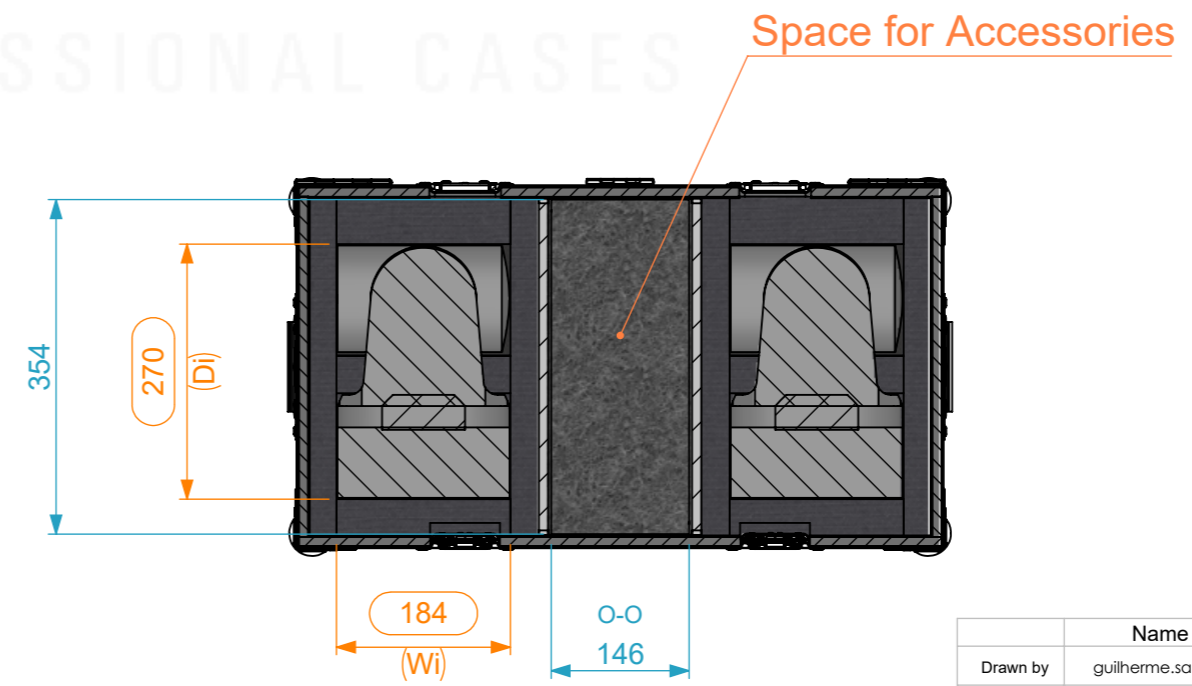
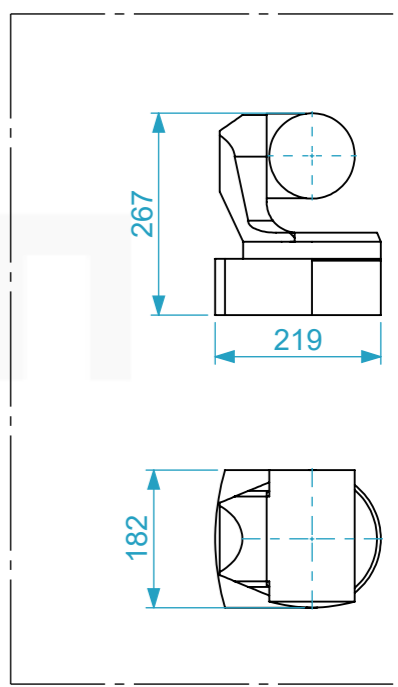
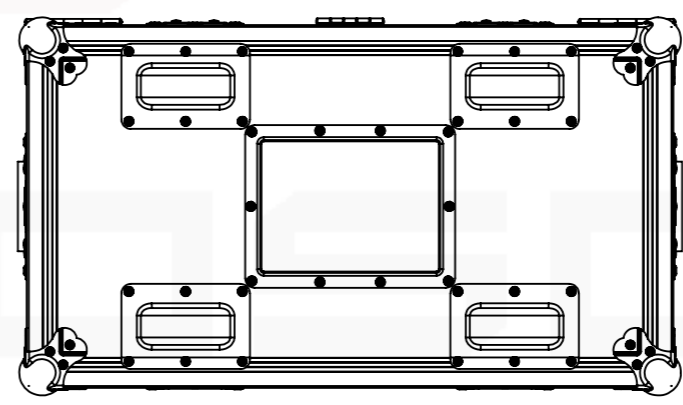


Equipment		
AW-UE150		
Width	Depth	Height
213	219	267
Internal Dimensions		
Width	Depth	Height
656	356	256
Weight	Approx. 18 Kg	
Wall Thickness	10mm	



M-M



General External Dimensions	
W	Width
D	Depth
H	Height
Usable Inner Dimensions	
Wi	Inside Width
Di	Inside Depth
Hi	Inside Height

Name	guilherme.santos	
Date	30/03/2026	
Reference	AVCAM.110	
Scale	1:8	units in mm
DO NOT SCALE	general tolerance	0.8mm
1st Angle projection	Flight case, Panasonic PTZ150	



This drawing must not be copied or disclosed without consent of the owner

A3