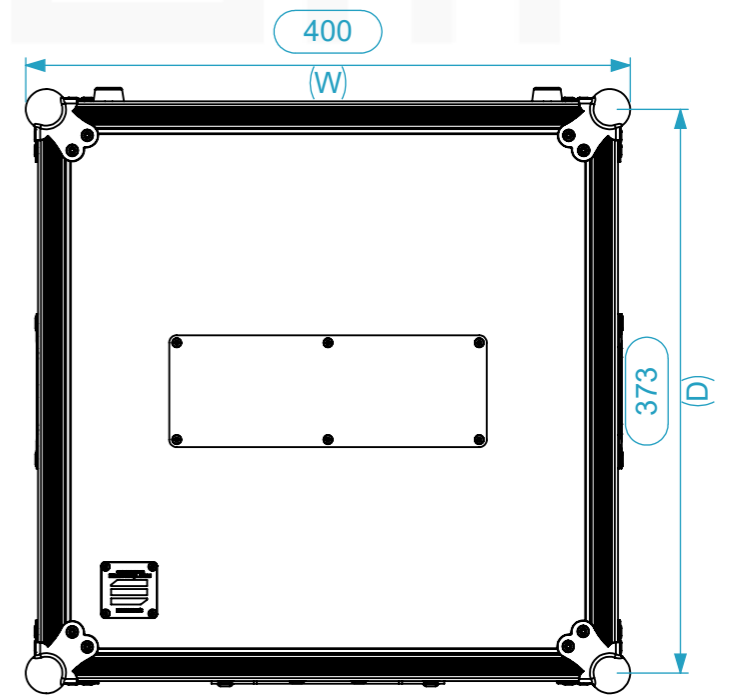
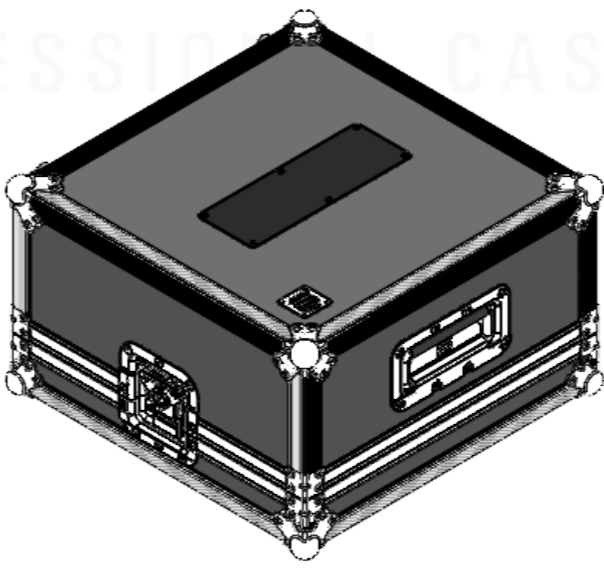
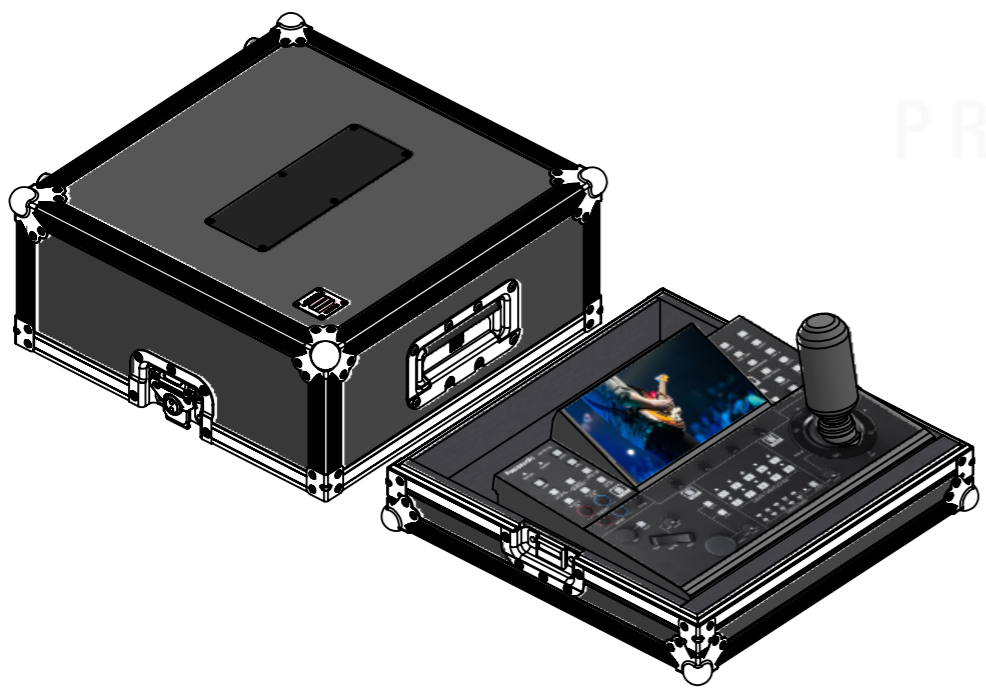
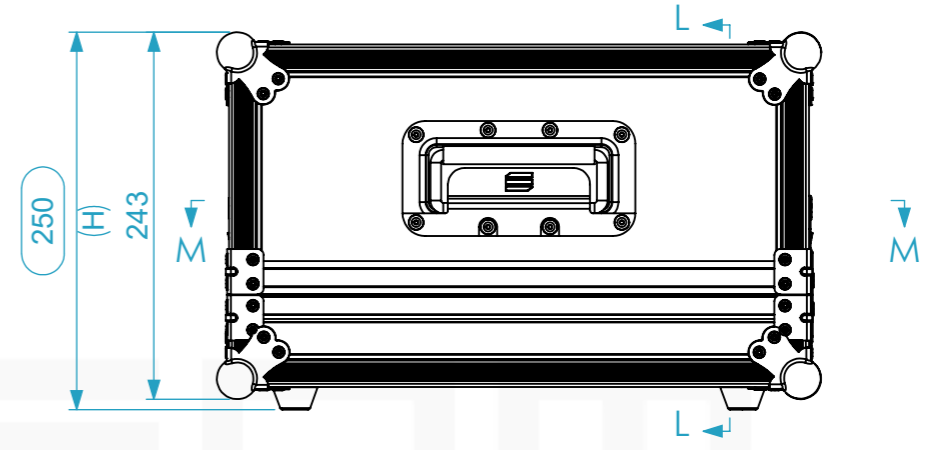
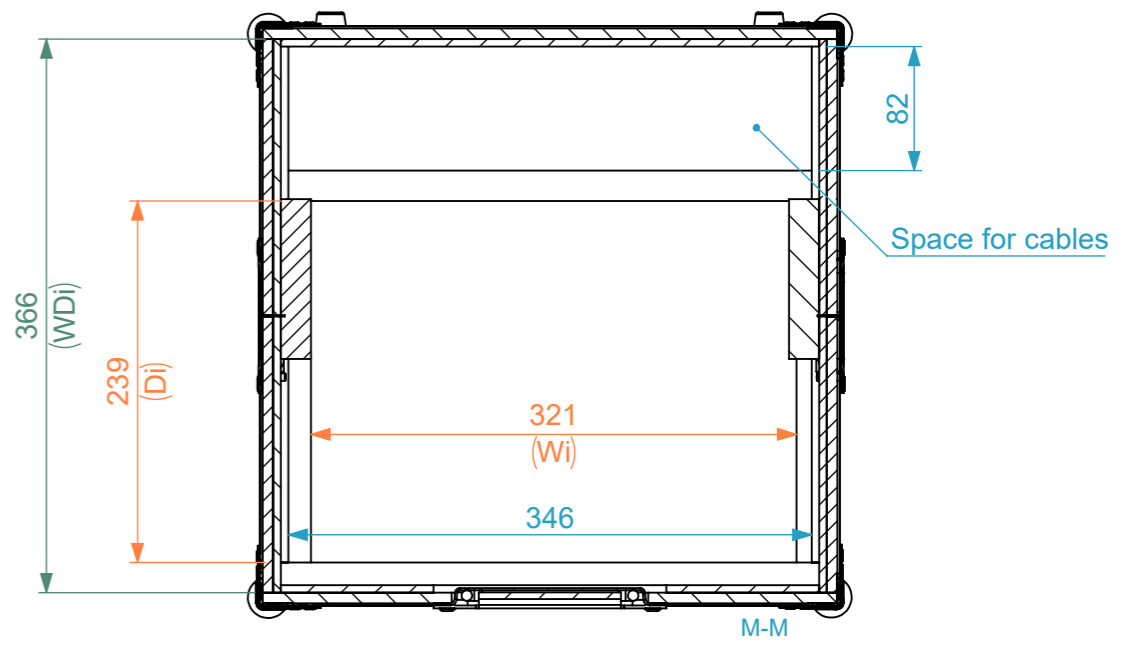
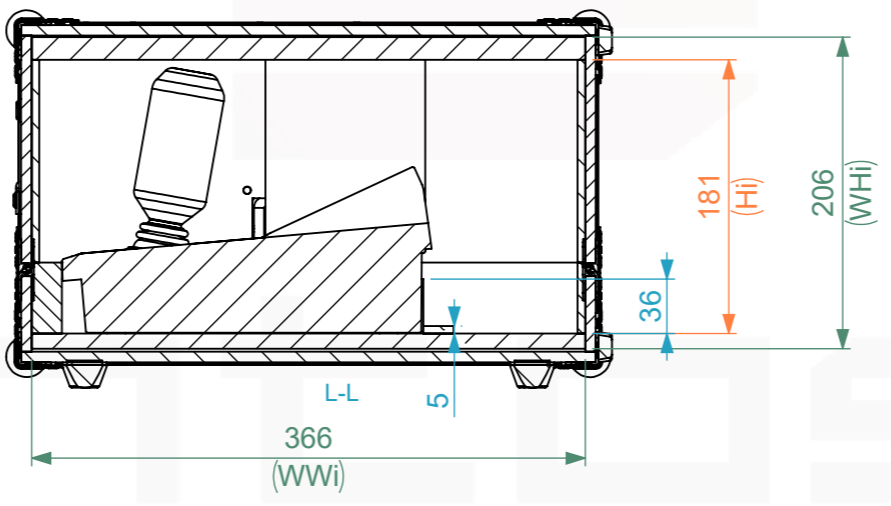
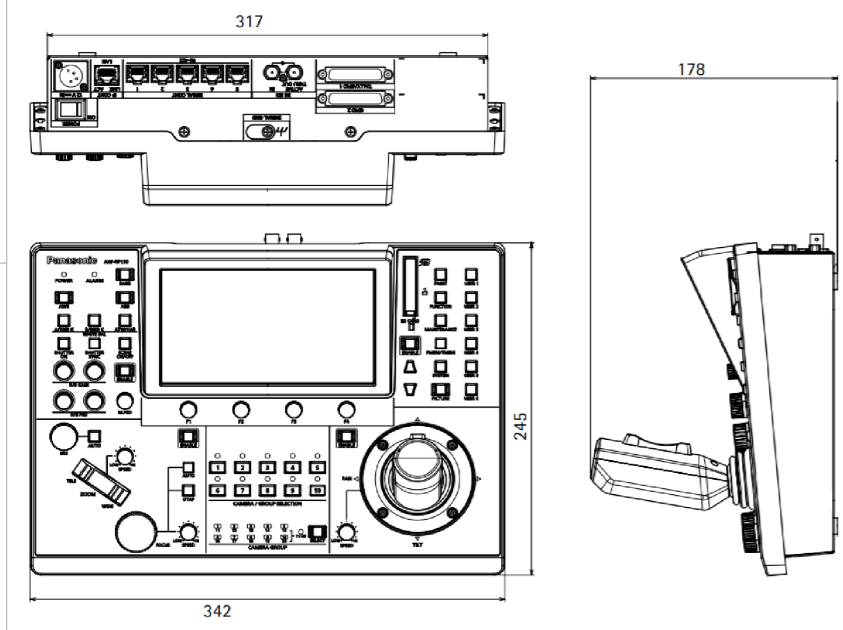


<b>Equipment</b>			Panasonic AW RP150		
<b>Width</b>	<b>Depth</b>	<b>Height</b>			
342	245	178			
<b>Internal Dimensions</b>					
<b>Width</b>	<b>Depth</b>	<b>Height</b>			
363	363	206			
<b>Weight</b>	Approx. 4.79 Kg				
<b>Wall Thickness</b>					7mm



General External Dimensions		Usable Inner Dimensions		Wood Inner Dimensions	
W	Width	Wi	Inside Width	WWi	Wood Inside Width
D	Depth	Di	Inside Depth	WDi	Wood Inside Depth
H	Height	Hi	Inside Height	WHi	Wood Inside Height

A3 This drawing must not be copied or disclosed without consent of the owner

Name	guilherme.santos	Date	30/03/2026
Reference	AVCAM.108		
Scale	1:5	units in mm	general tolerance 0.8mm
DO NOT SCALE			

