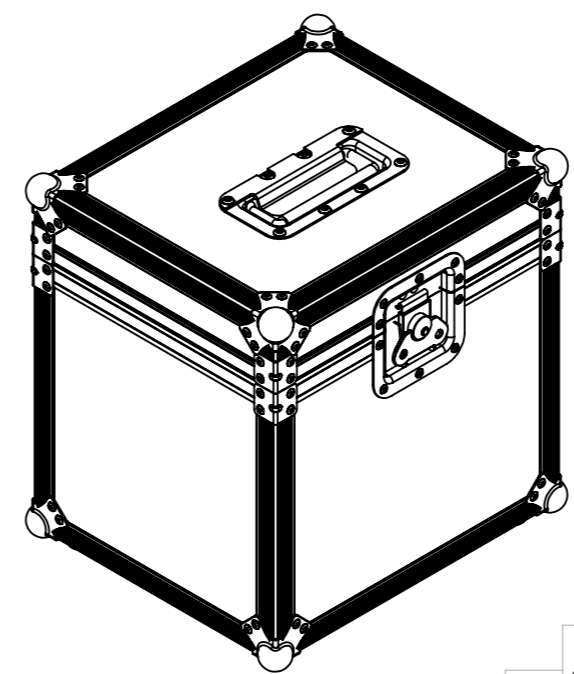
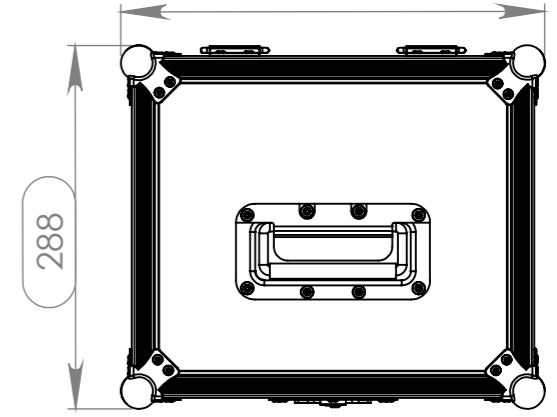
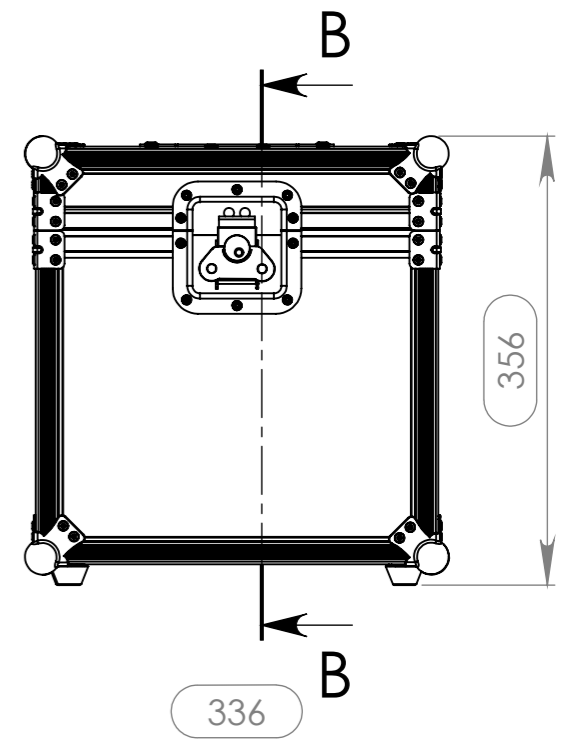
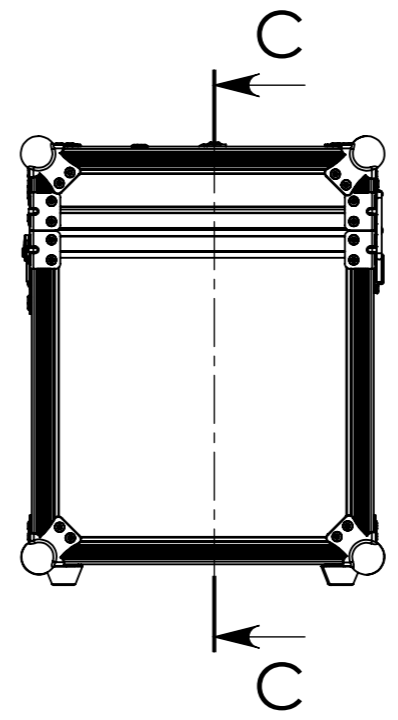
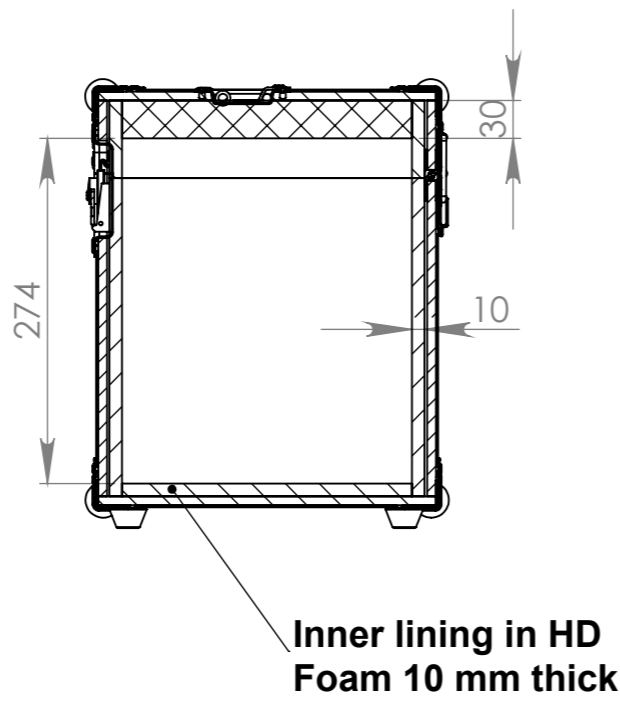
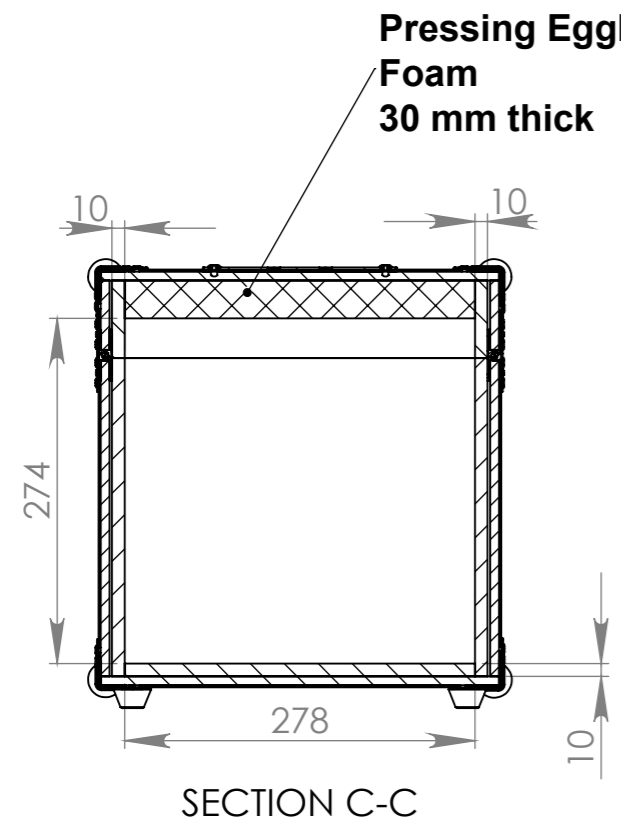
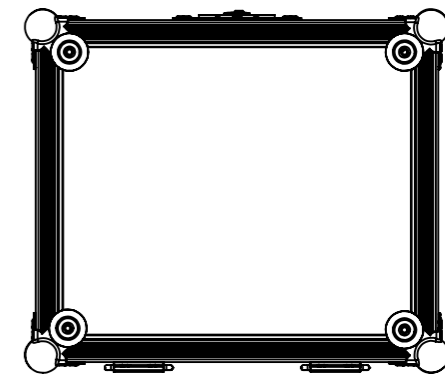
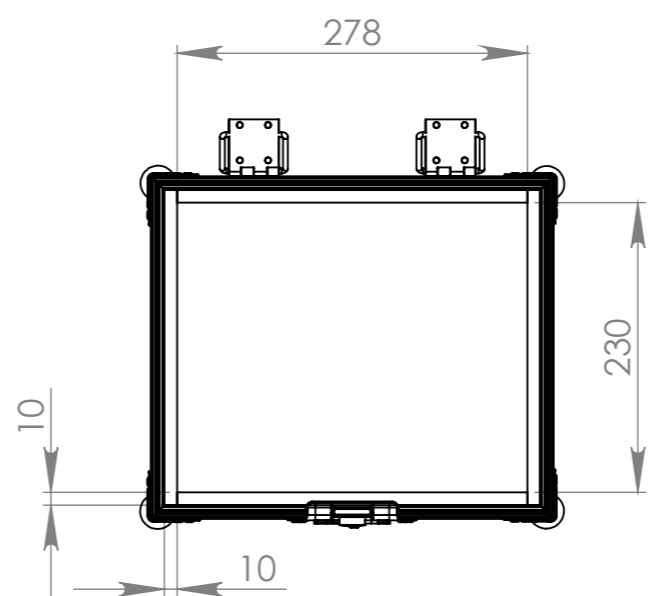


Internal Dimensions		
Width	Depth	Height
278	230	274
Weight	Approx. 5 Kg	
Wall Thickness	7mm	



Hardware		
Qty	Ref.	Description
8	40407	Medium corner-brace zinc plated 1,0mm
8	4112	Small ball corner - 3 leg - zinc plated
1	17290S	Key lockable medium Butterfly special
2	2524	Heavy Duty Strut Hinge
1	340822	Recessed sprung handle - Small
4	4901	Rubber foot 30 x 15mm, black

This drawing must not be copied or disclosed without consent of the owner

Drawn by	alexandre	Date	09/12/2016
Reference	AVCAM.101		
Scale	1:6	units in mm	general tolerance 0.8mm
FC, PANASONIC AW HE130 KEJ (230*278*284)			

