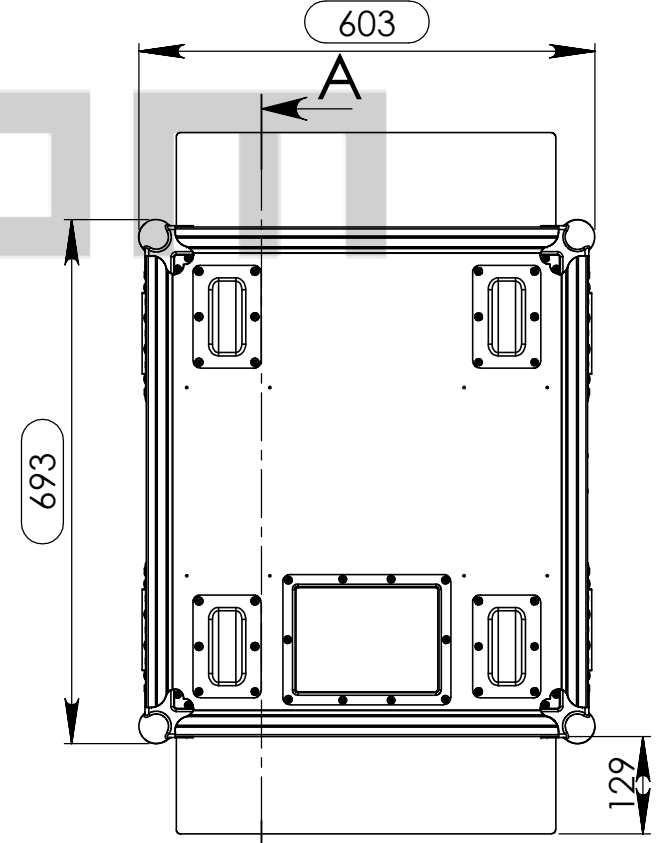
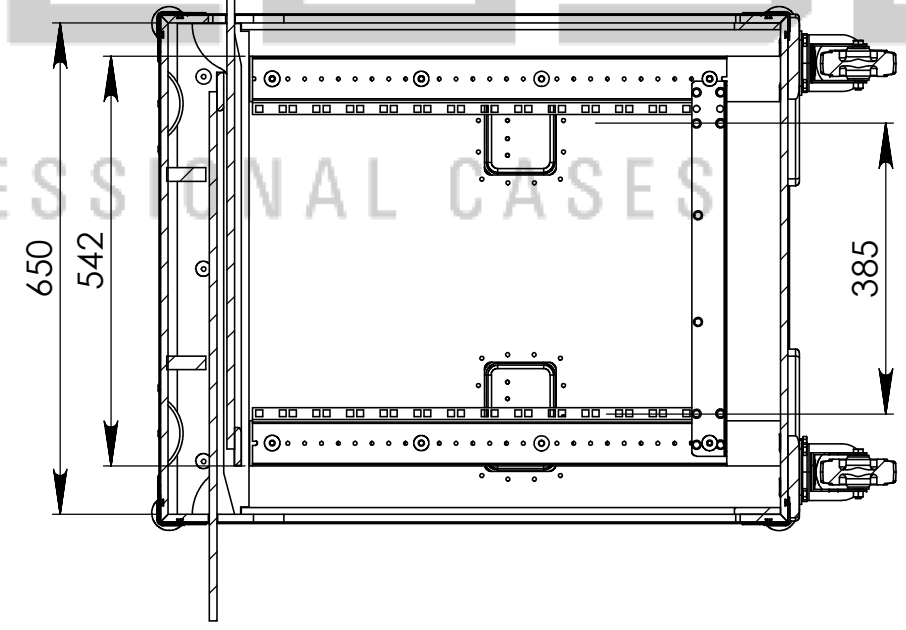
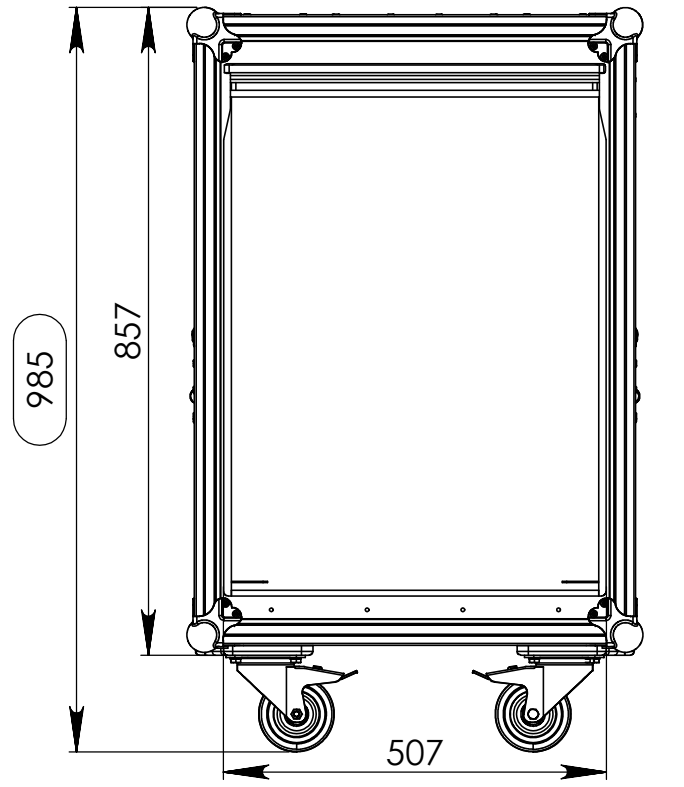
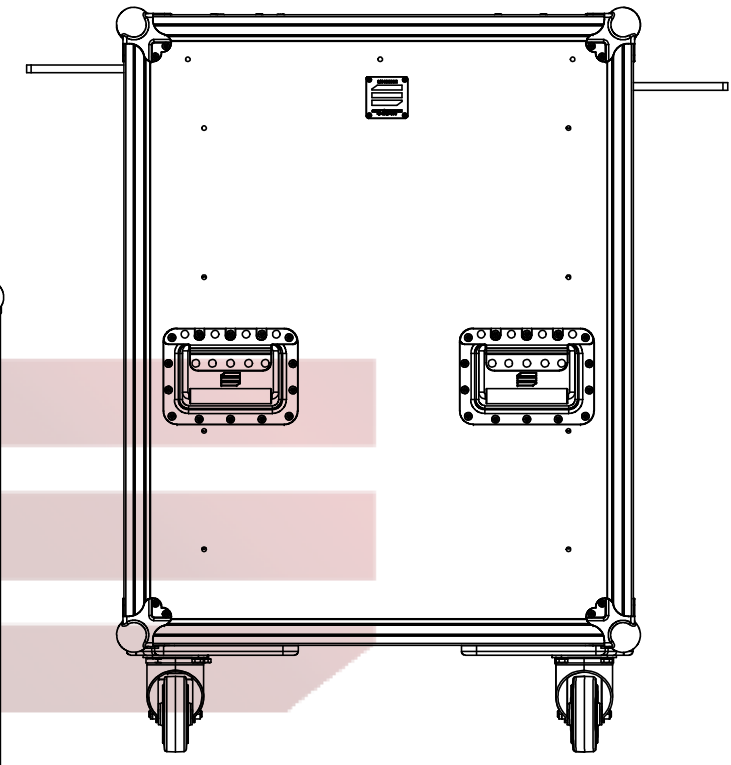
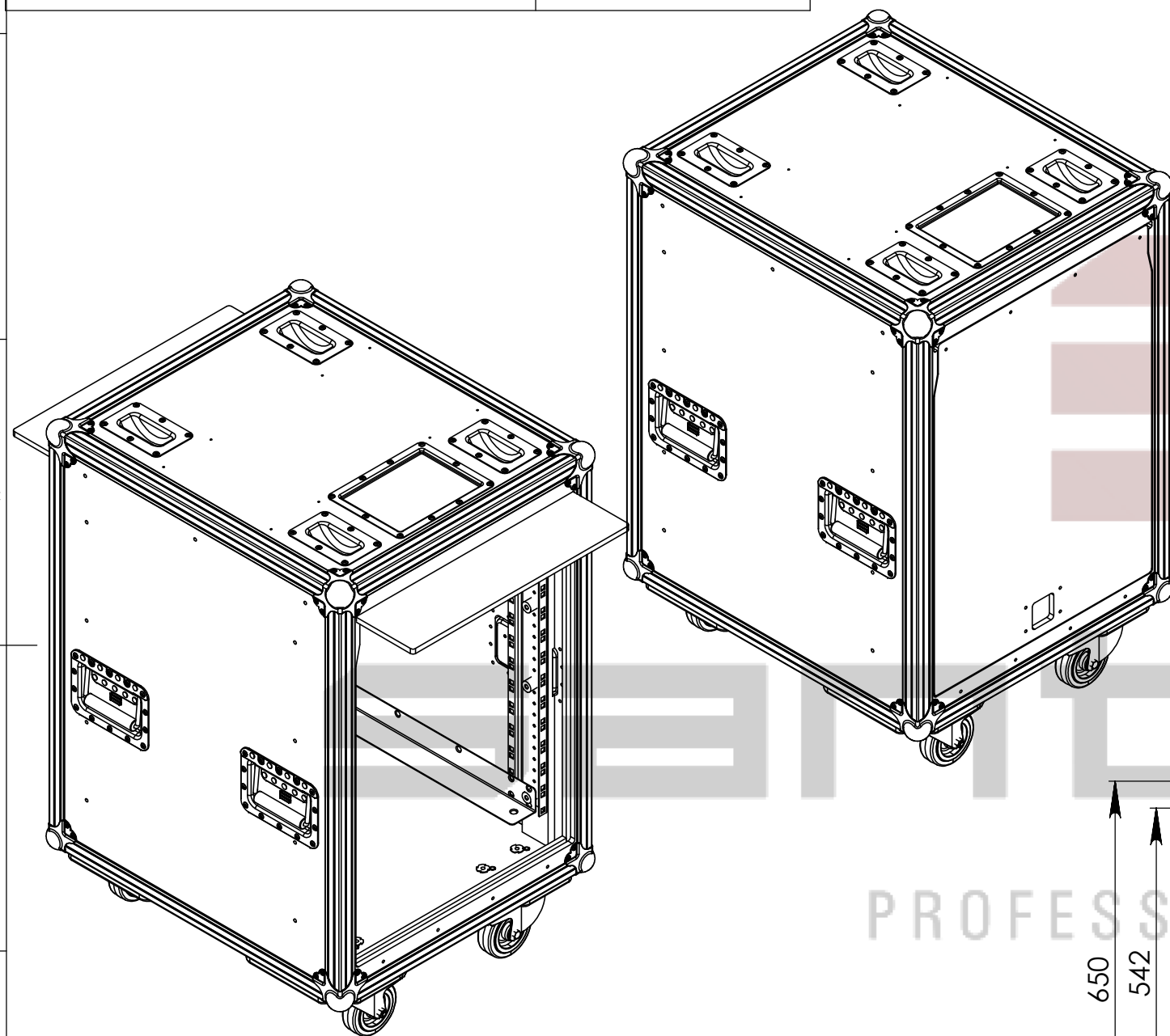


Interior dimensions

Width	Depth	Height
19"	530	14Un
Weight	Approx. 40 Kg	
Wall Thickness	10mm	

REVISIONS

ZONE	REV.	DESCRIPTION	DATE	APPROVED
-	-	Final Drawing	21/05/2015	Carlos Rodrigues



SECTION A-A

Hardware

Qty	Ref.	Description
8	410429	Heavy Duty Ball Corner
2	RODA.100T	Swivel castor Ø100mm with brake
2	RODA.100	Swivel castor Ø100 mm
4	34085	Large, heavy duty, recessed sprung handle
1	88001D	Dish for 88001 Tour Label
4	38083	Castor dish deep zinc plated
2	16540SH	FECHO X-BOX SOUTHCO 89X88X19 MM

This drawing must not be copied or disclosed without consent of the owner

Drawn by	Name	Date
projects		21/05/2015
Reference	AST.1453AR1	
Scale	units in mm	general tolerance
1:10	DO NOT SCALE	0.8mm
1st Angle projection	SLIDING-RACK 19" 14U 530, RODAS +2 PUMOS RODAS	

