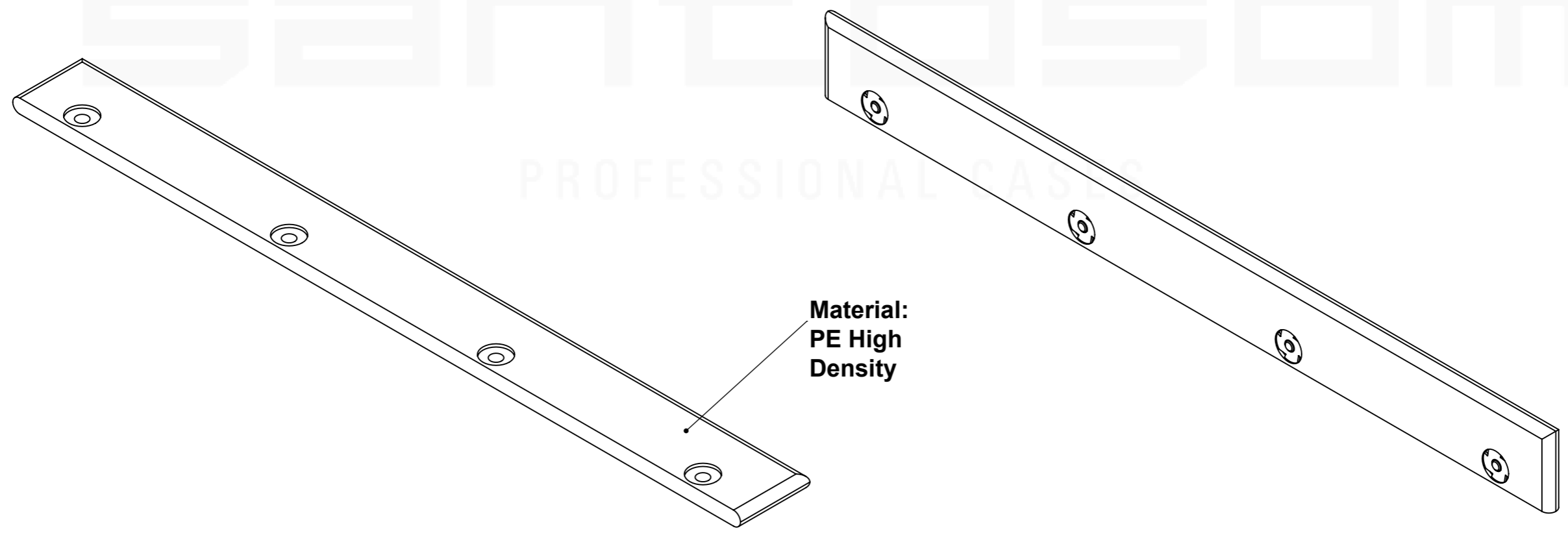
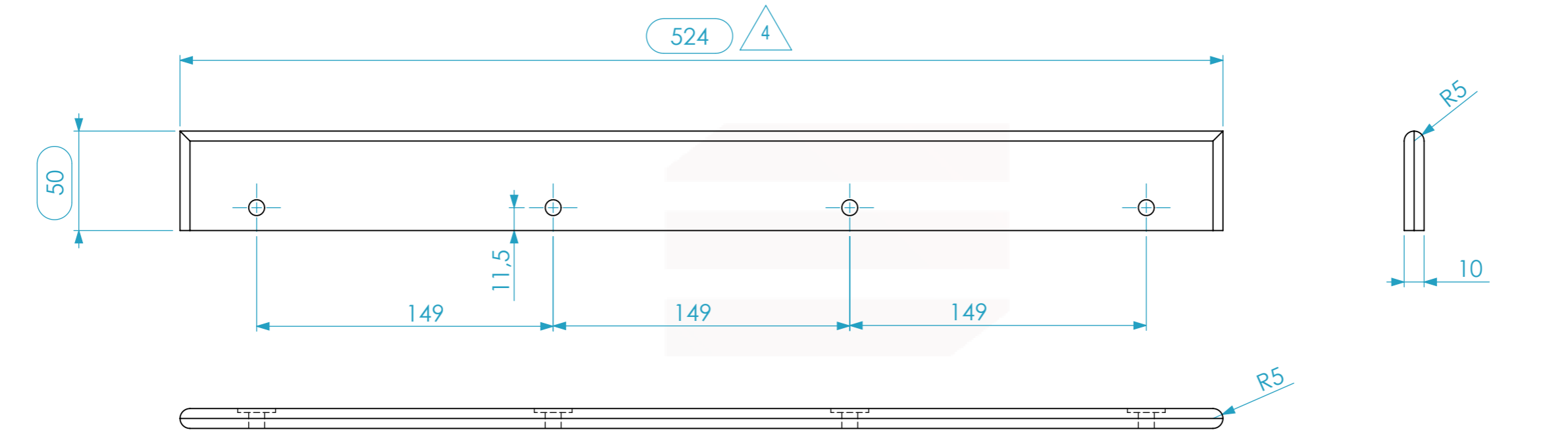


Weight	Approx. 0.24 Kg
Thickness	10mm

REVISIONS			
REV.	DESCRIPTION	DATE	APPROVED
3	Material changed to High Density PE 500; Added fillet to one edge	31/07/2017	Alexandre Onofre
4	Width increase in order to refuce the gap of the sliding door (519mm to 524mm)	08/08/2017	Alexandre Onofre



Drawn by	alexandre	Date	20-09-2017
Reference	AST.100		
Scale	1:2.5	units in mm	general tolerance 0.8mm
RÉGUA DESLIZANTE PARA SLIDING RACK.			



This drawing must not be copied or disclosed without consent of the owner



A3