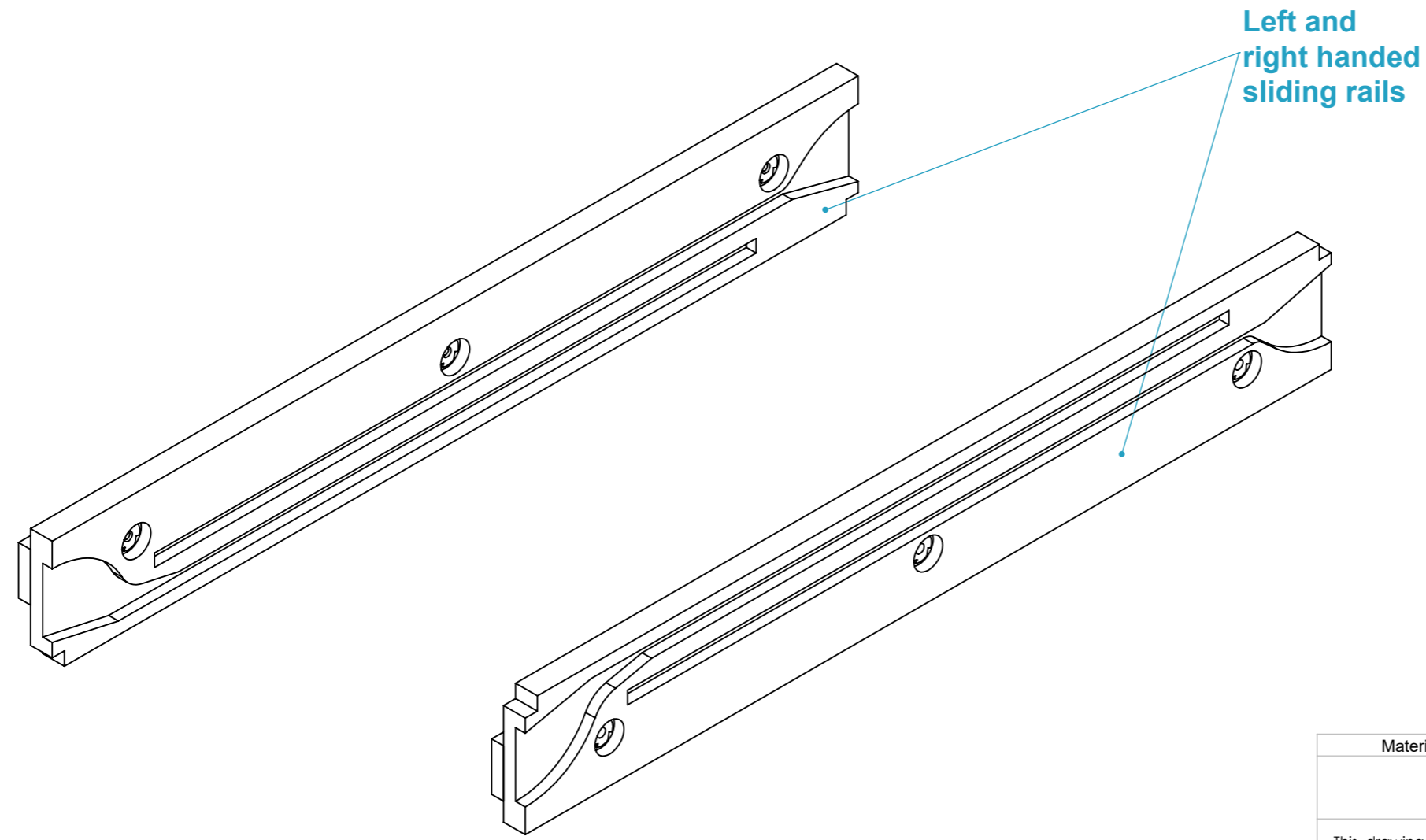
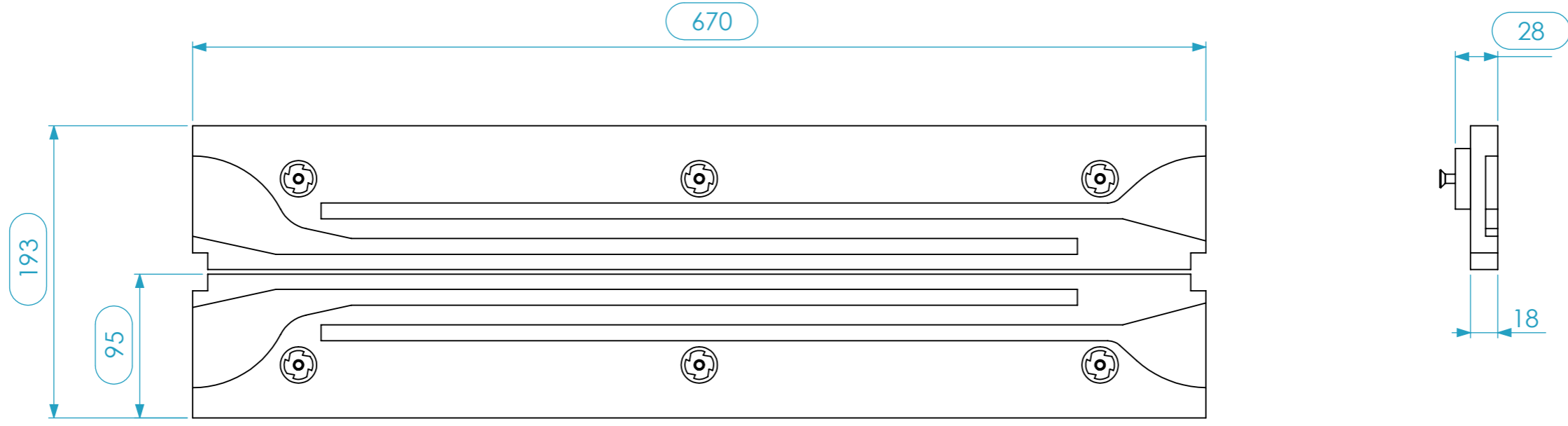


Weight	Approx. 1.83 Kg
Wall Thickness	18mm



Material	Name	Date
	projects	01-09-2017
Reference	AST.070	
This drawing must not be copied or disclosed without consent of the owner	Scale	units in mm
	1:3.5	DO NOT SCALE
1st Angle projection	general tolerance	0.8mm
	GUIA DESLIZANTE PARA SLIDING RACK 700MM PROF.	

