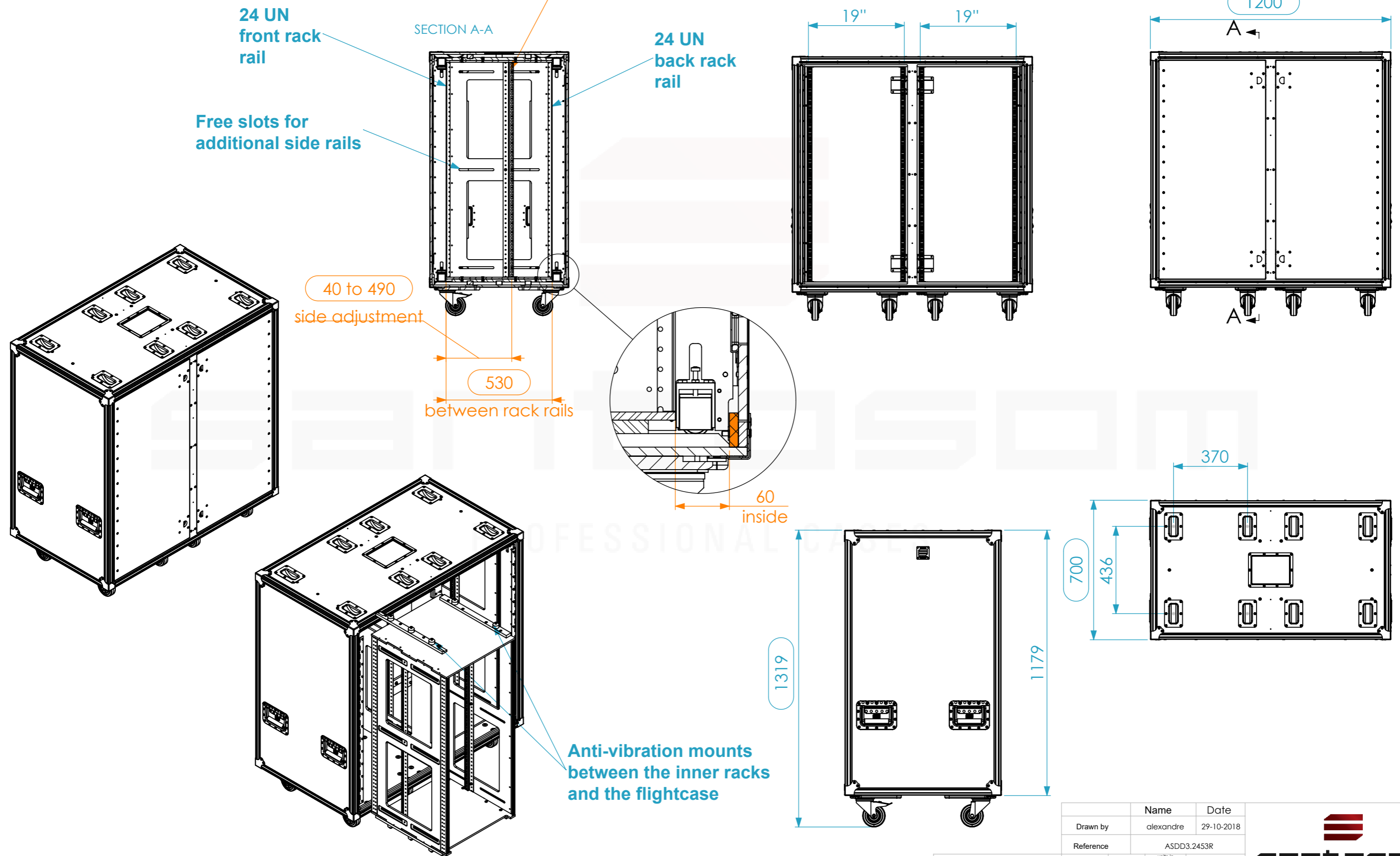


Internal Dimensions		
Width	Depth	Height
2 x 19"	530	24 UN
Weight	Approx. 96 Kg	
Wall Thickness	10mm	

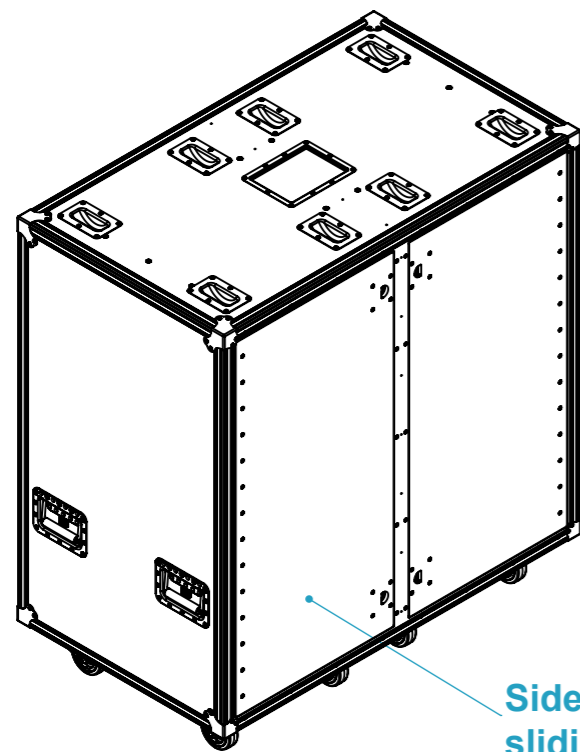


Drawn by	Name	Date
alexandre	alexandre	29-10-2018
Reference	ASDD3.2453R	
Scale	units in mm	general tolerance
1:18	DO NOT SCALE	0.8mm
1st Angle projection	ASD3 Side Sliding Rack 19", 24+24U 530	

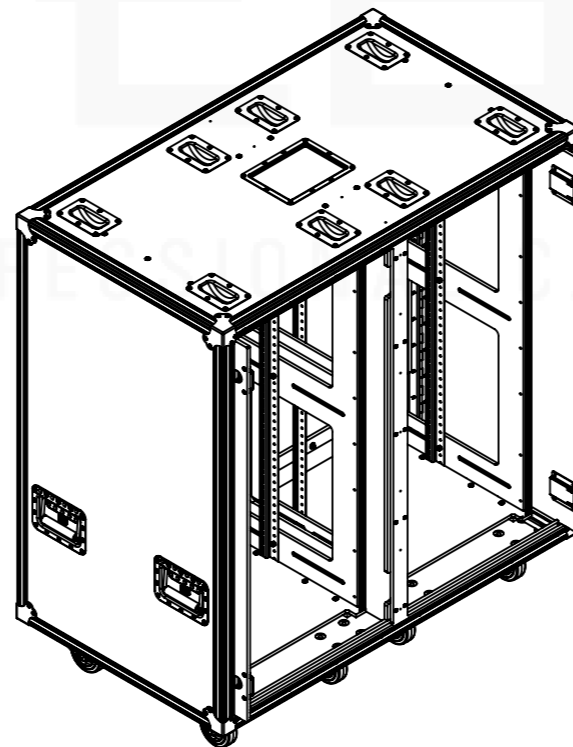
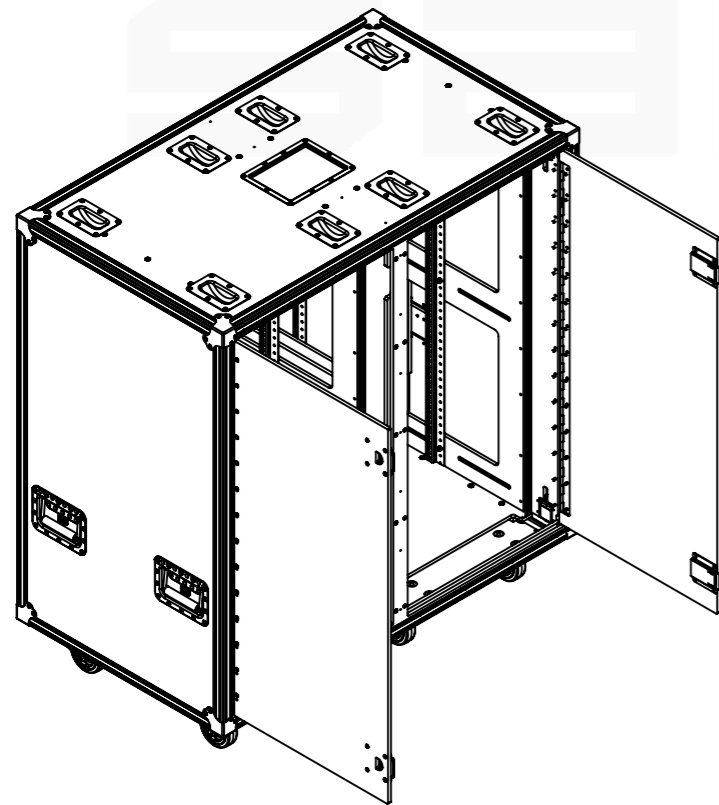
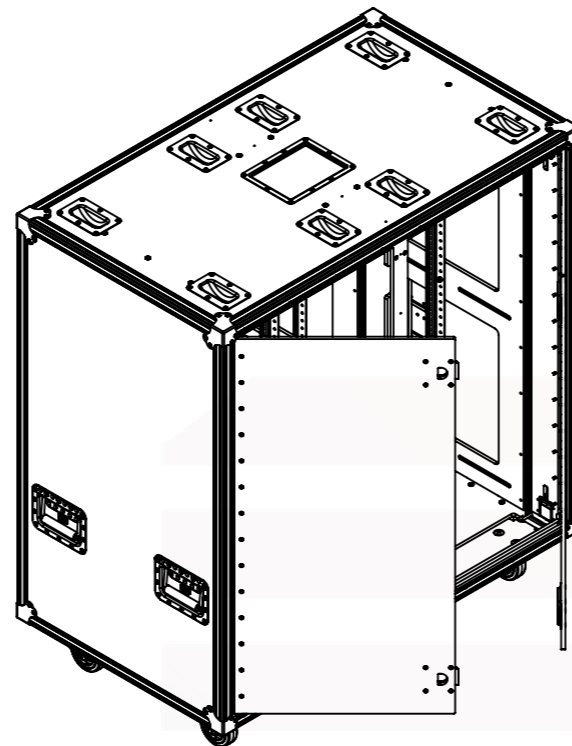
This drawing must not be copied or disclosed without consent of the owner



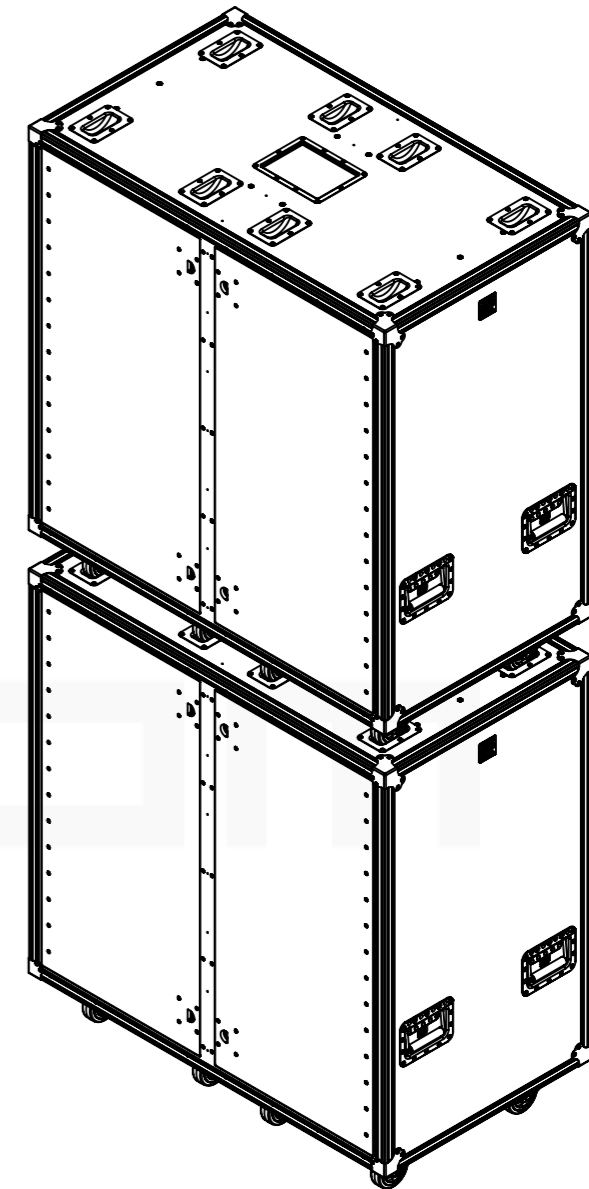
A3



Side hinged and sliding doors



### STACKING WITH WHEELS



This drawing must not be copied or disclosed without consent of the owner

Drawn by	alexandre	Date	29-10-2018
Reference	ASDD3.2453R		
Scale	1:18	units in mm	general tolerance 0.8mm
	DO NOT SCALE		
ASD3 Side Sliding Rack 19", 24+24U 530			

