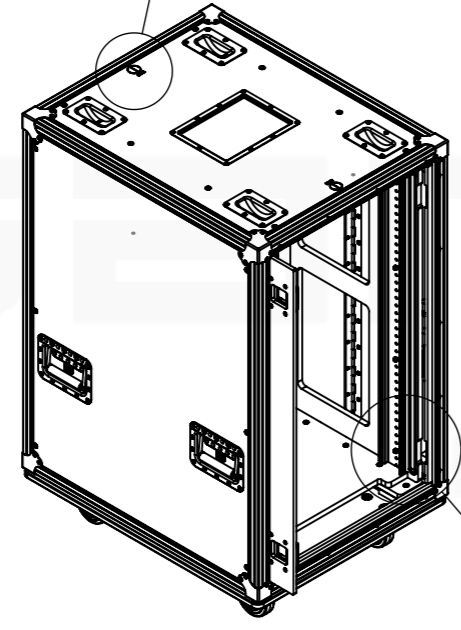
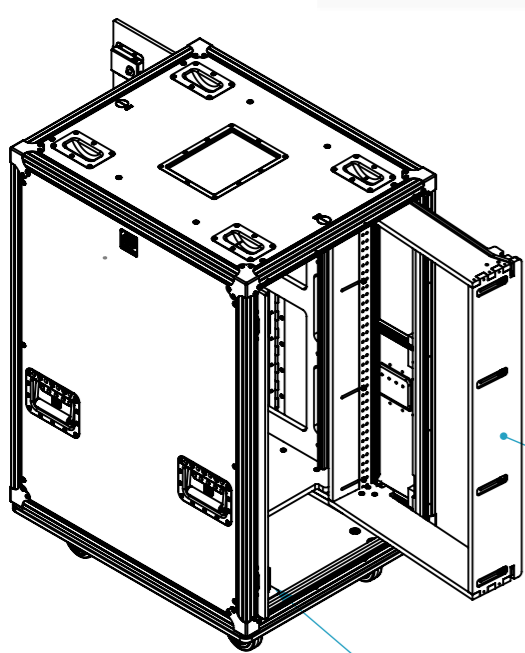
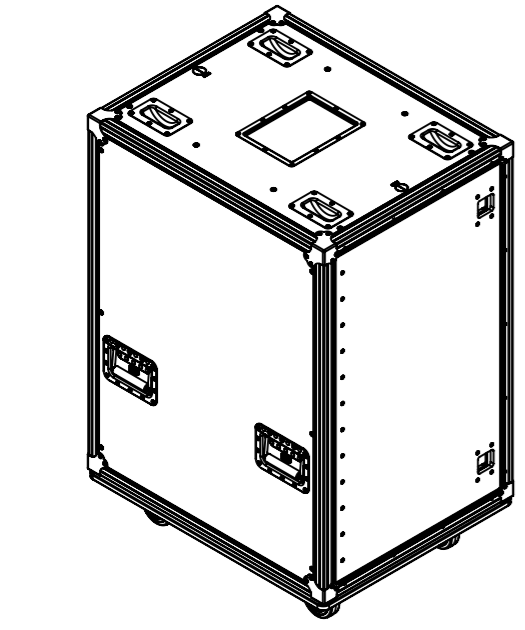
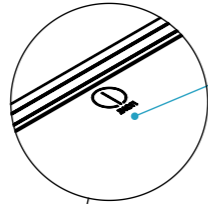


Internal Dimensions		
Width	Depth	Height
19"	494 + 123	20U
Weight	Approx. 78 Kg	
Wall Thickness	10mm	



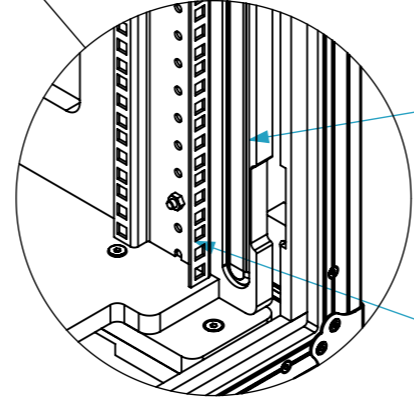
20U Rack Rails

Touch Dimmer Switch for lighting



Quick release rear rack (slide out and hinge) for quick access

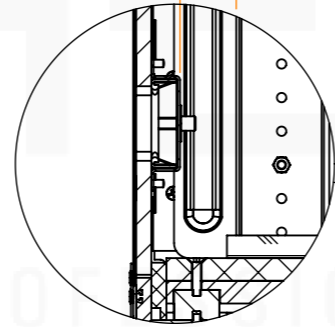
Anti-vibration mounts between the inner rack and the flightcase



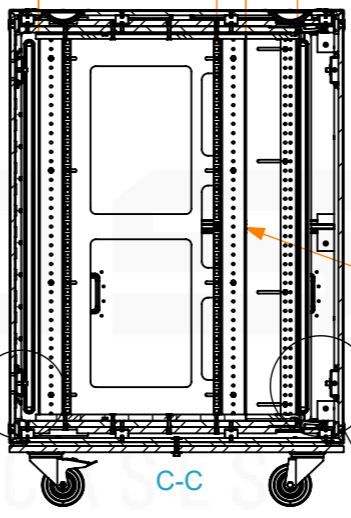
LED lighting Profile

2 mm thick steel double rack rails for standard M6 cage nuts

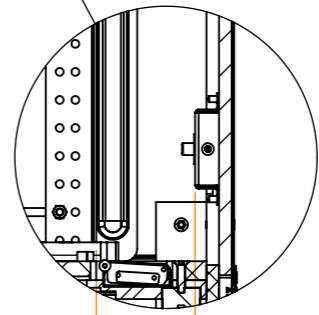
37 From rail to door latch



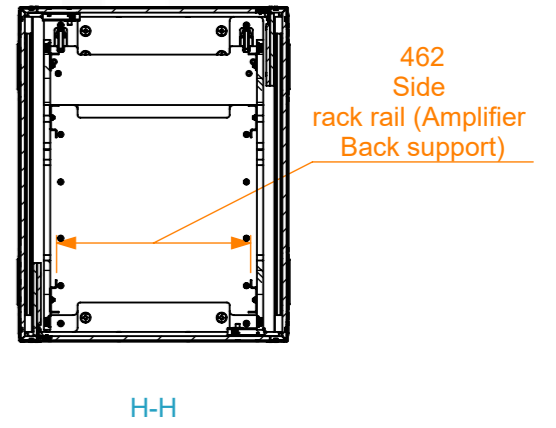
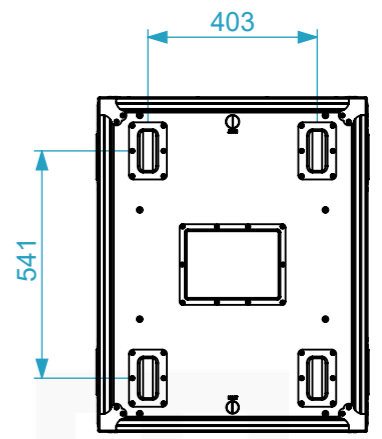
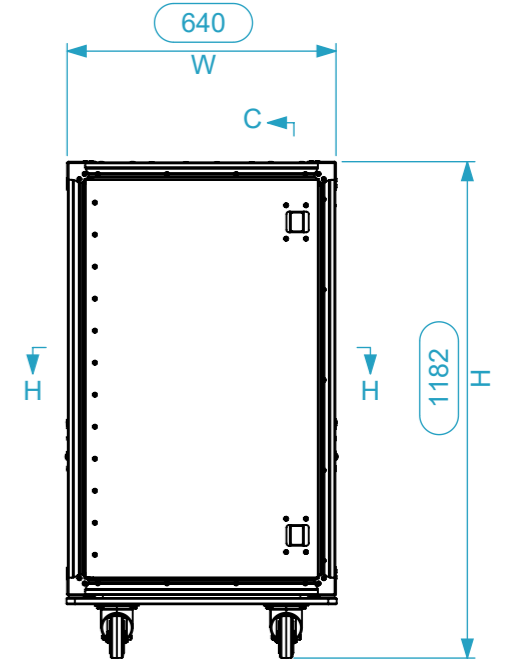
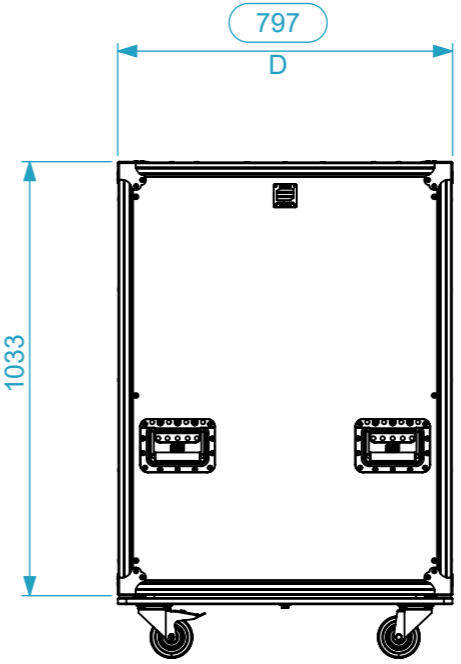
494 Max. between rack rails
123 between rack rails
424 Max Side Rail



All rack rails are 60mm adjustable



78 From rail to door latch



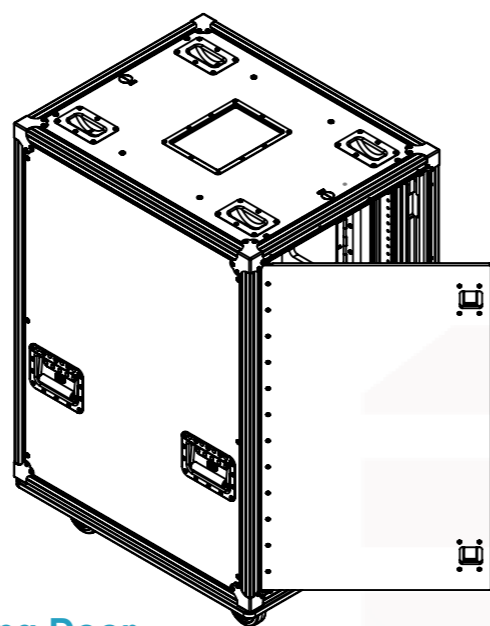
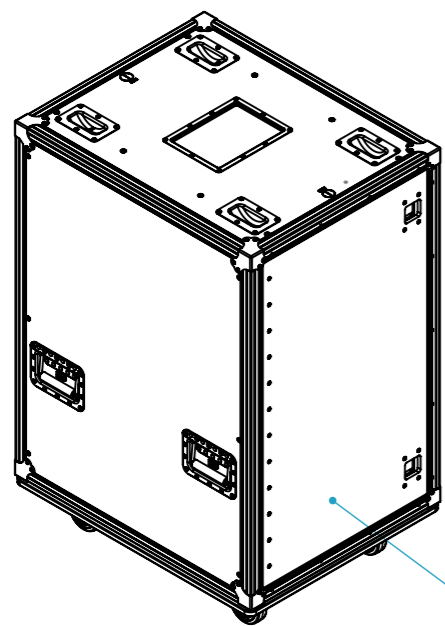
General External Dimensions	
W	Width
D	Depth
H	Height
Usable Inner Dimensions	
Wi	Inside Width
Di	Inside Depth
Hi	Inside Height

Name	alexandre	
Date	21/04/2020	
Reference	ASD5.2063R	
Scale	1:18	units in mm
DO NOT SCALE		general tolerance 0.8mm
1st Angle projection	19" Side Sliding-Rack, 20U 630	



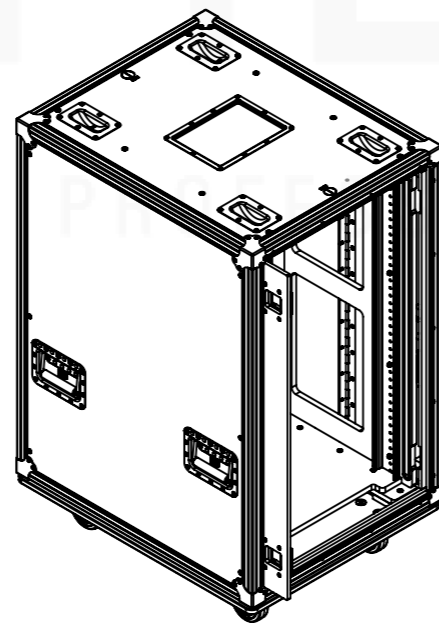
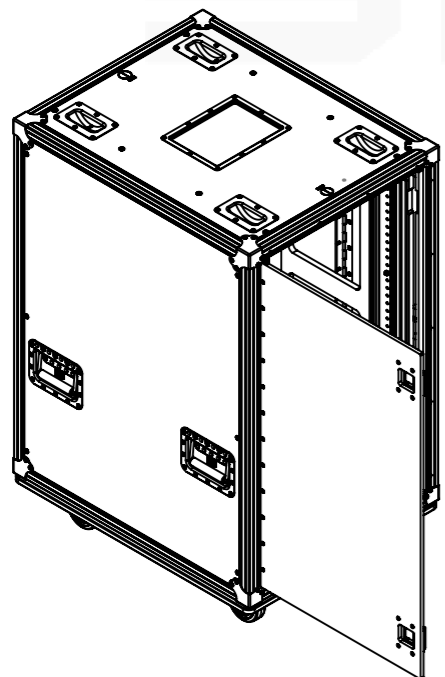
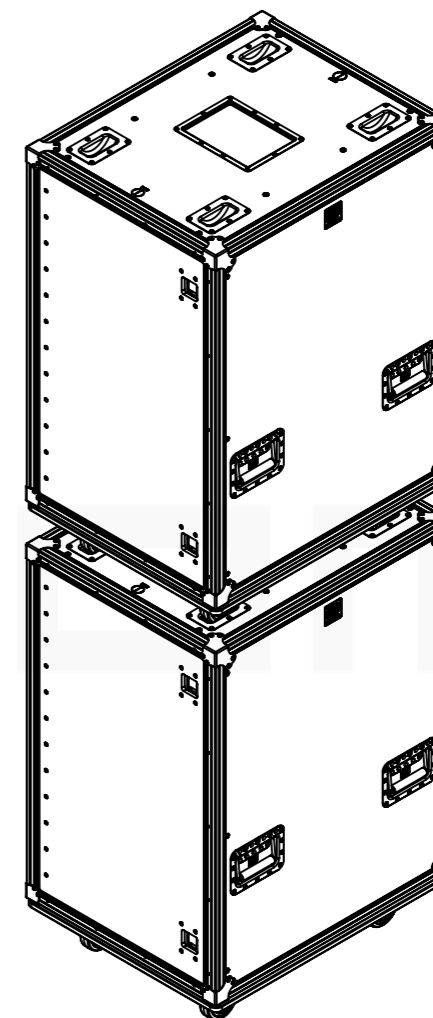
This drawing must not be copied or disclosed without consent of the owner

A3



Side Sliding Door

Stacking with wheels



This drawing must not be copied or disclosed without consent of the owner

Drawn by	Name	Date
alexandre	alexandre	21/04/2020
Reference	ASD5.2063R	
Scale	units in mm	general tolerance
1:18	DO NOT SCALE	0.8mm
19" Side Sliding-Rack, 20U 630		



A3



1st Angle projection