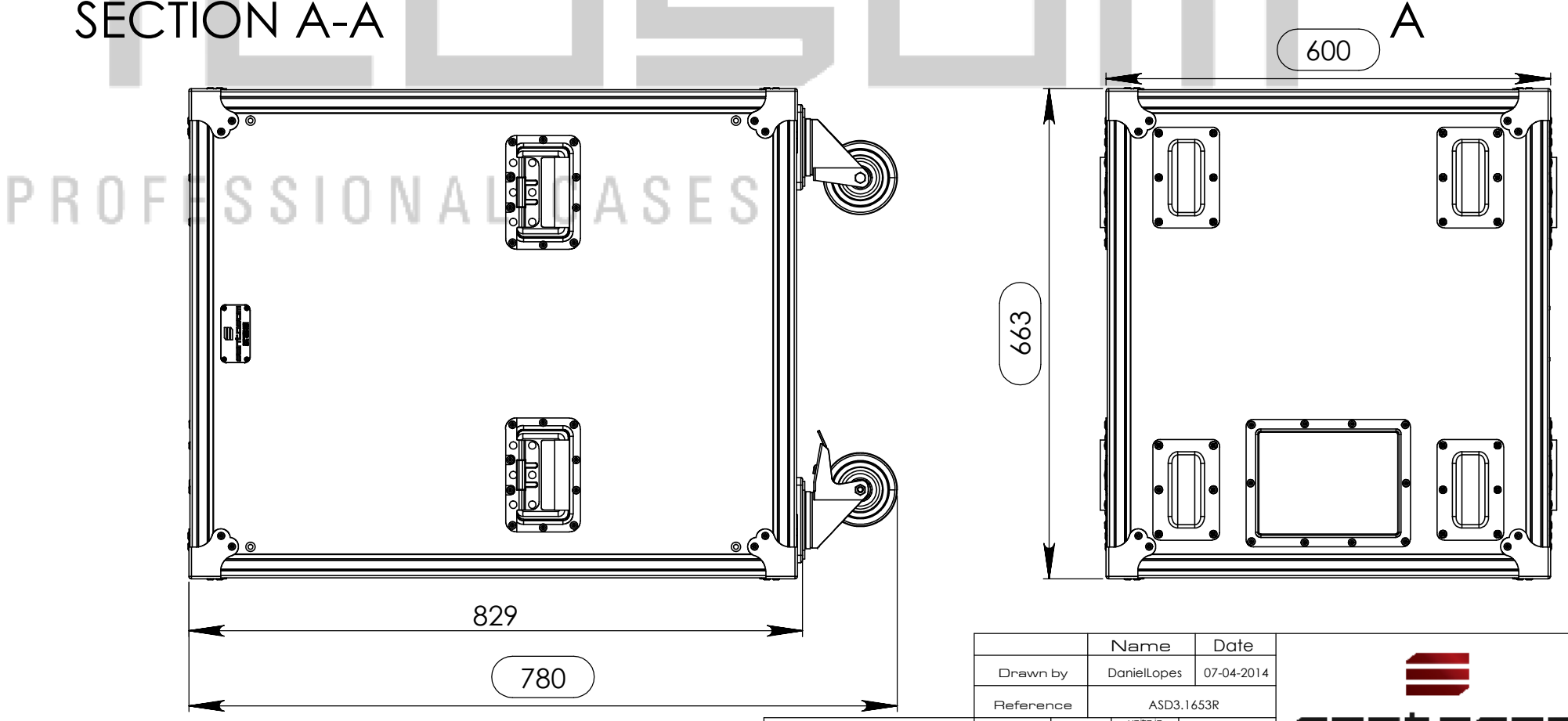
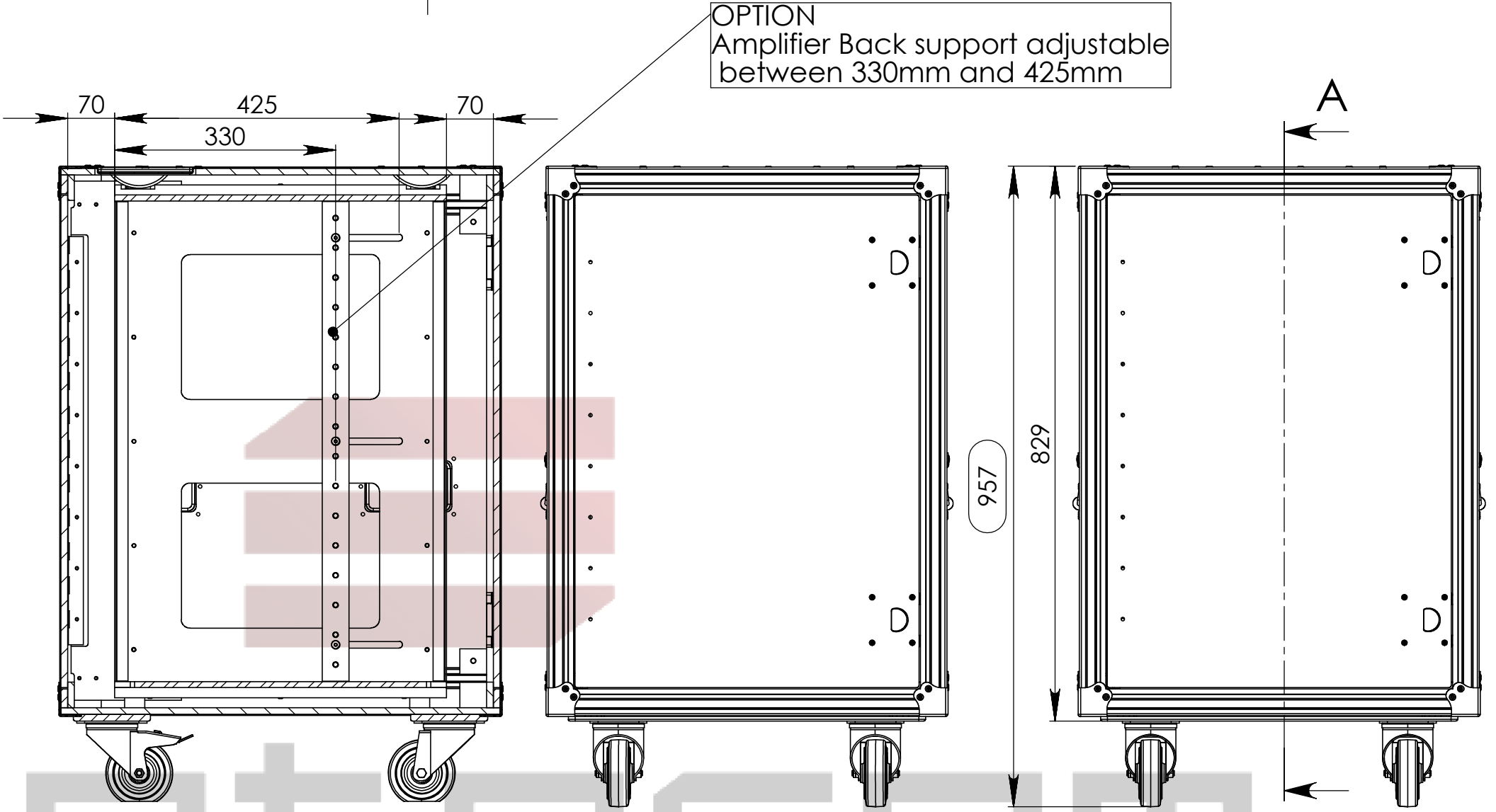
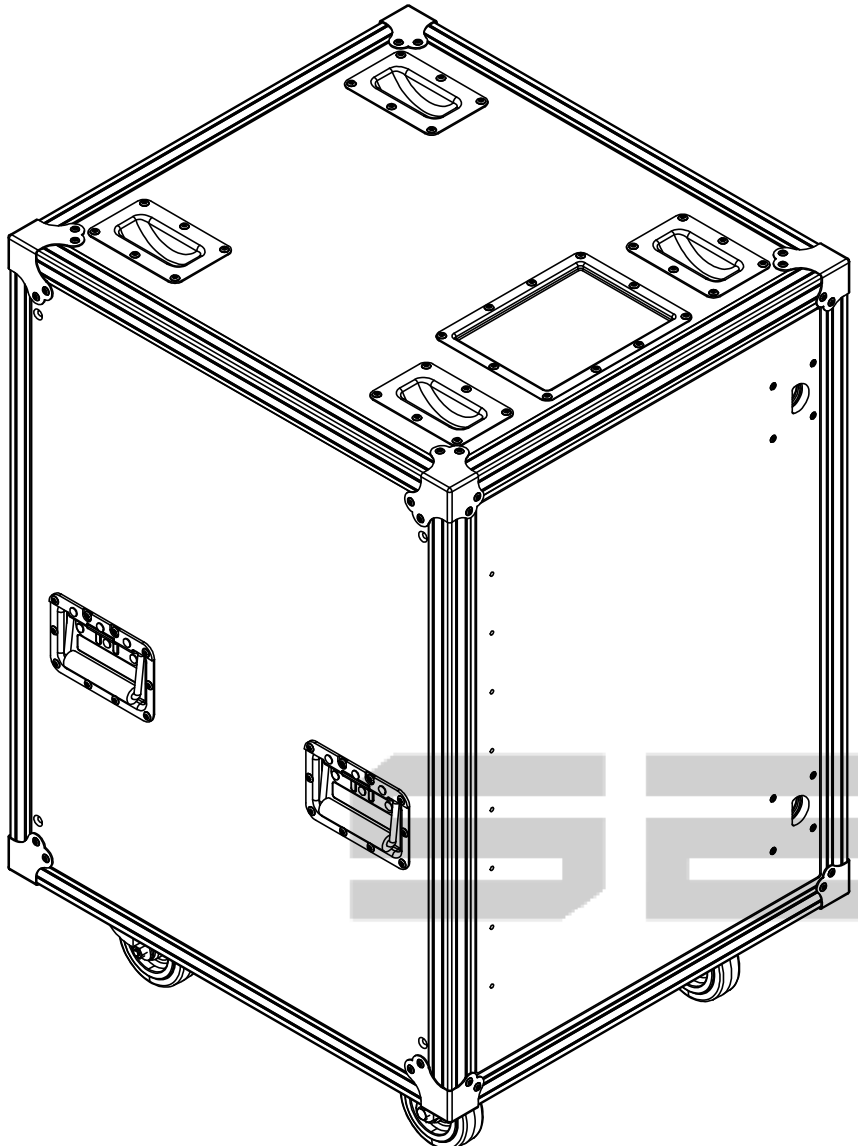


| Interior dimensions |               |        |
|---------------------|---------------|--------|
| Width               | Depth         | Height |
| 19"                 | 530/330-425   | 12Un   |
| Weight              | Approx. 48 Kg |        |
| Wall Thickness      | 10mm          |        |



| Hardware |           |                                      |
|----------|-----------|--------------------------------------|
| Qty      | Ref.      | Description                          |
| 8        | 4150      | FLAT CORNER                          |
| 1        | 88001D    | Dish for 88001 Tour Label            |
| 4        | 38083     | Castor dish deep zinc plated         |
| 4        | 34082     | Recessed sprung handle medium model  |
| 4        | 16540     | Sliding Latch System - Sliding Latch |
| 2        | RODA.100T | Swivel castor Ø100mm with brake      |
| 2        | RODA.100  | Swivel castor Ø100 mm                |

This drawing must not be copied or disclosed without consent of the owner

|  |              |             |                         |
|--|--------------|-------------|-------------------------|
| Drawn by                                       | DanielLopes  | Date        | 07-04-2014              |
| Reference                                      | ASD3.1653R   |             |                         |
| Scale  | 1:8          | units in mm | general tolerance 0.8mm |
| 1st Angle projection                           | DO NOT SCALE |             |                         |
| ASD3 SIDE SLIDING RACK<br>19", 16U 500 - RODAS |              |             |                         |

