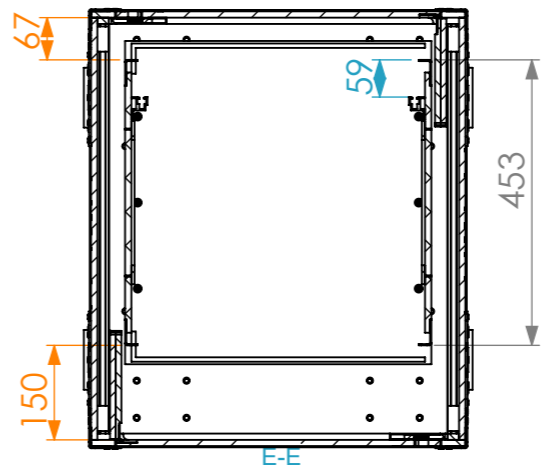
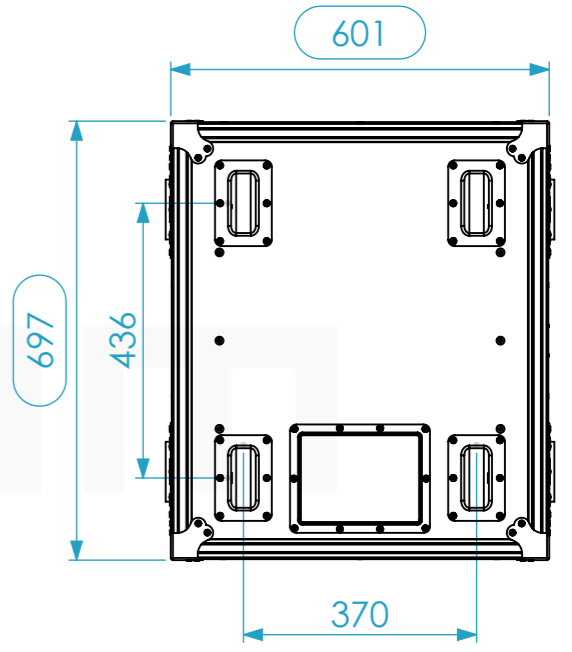
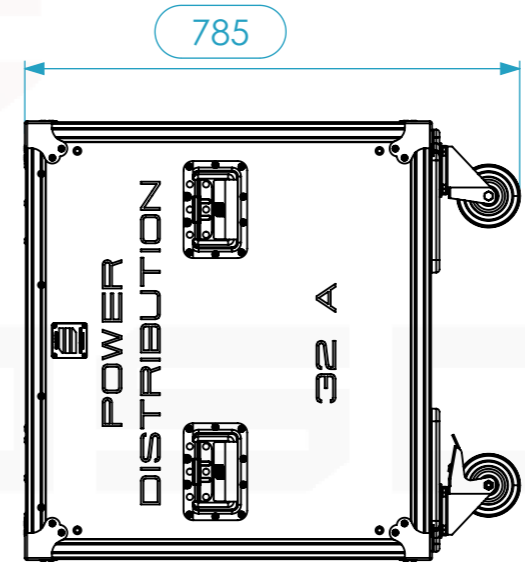
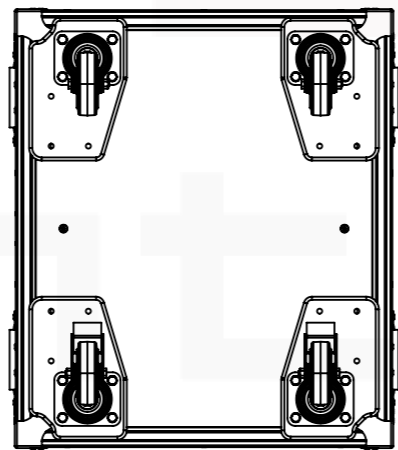
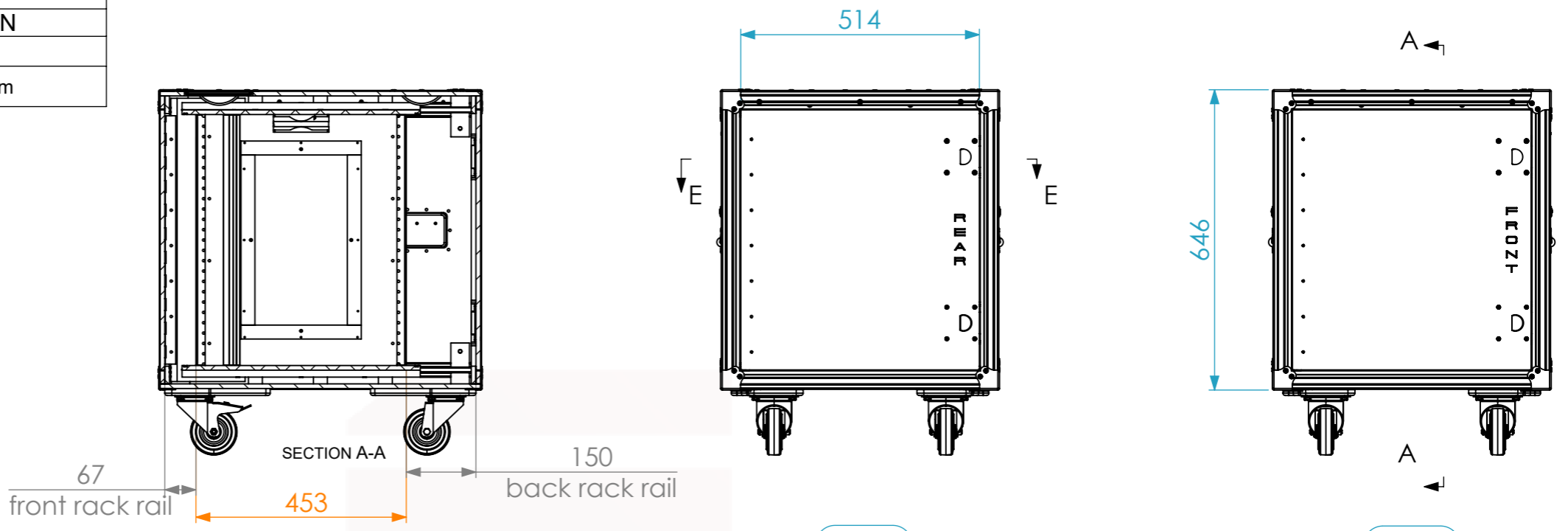
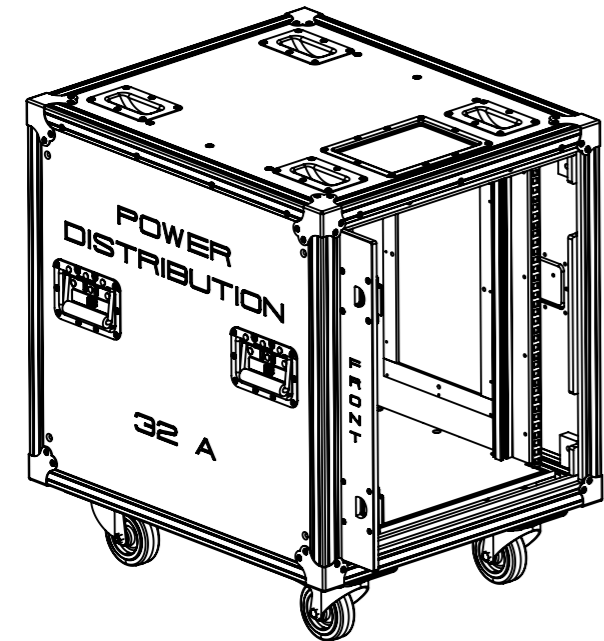
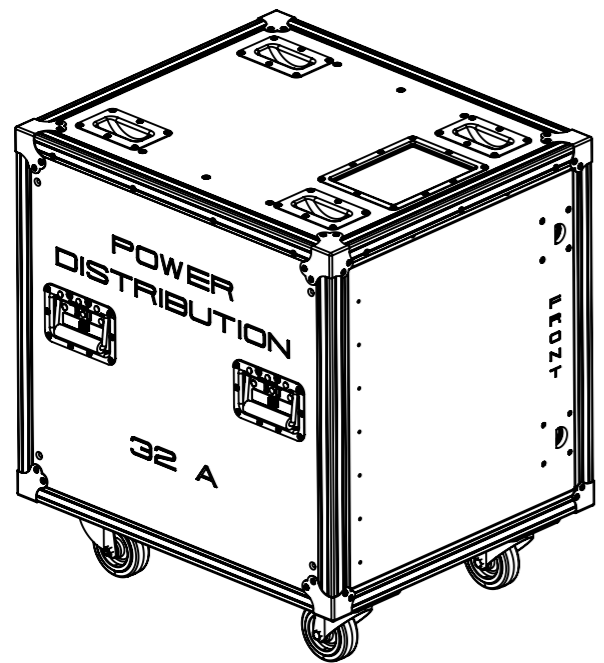


Internal Dimensions

Width	Depth	Height
19"	530	12UN
Weight	Approx. 43 Kg	
Wall Thickness		10mm

SLIDING DOOR SYSTEM



This drawing must not be copied or disclosed without consent of the owner

Drawn by	Name	Date
CatarinaDuque	CatarinaDuque	30-01-2019
Reference	ASD3.1253PWD	
Scale	units in mm	general tolerance
1:12	DO NOT SCALE	0.8mm
ASD3 SIDE SLIDING RACK 19" 12U POWER DISTRIBUTION 32A		

