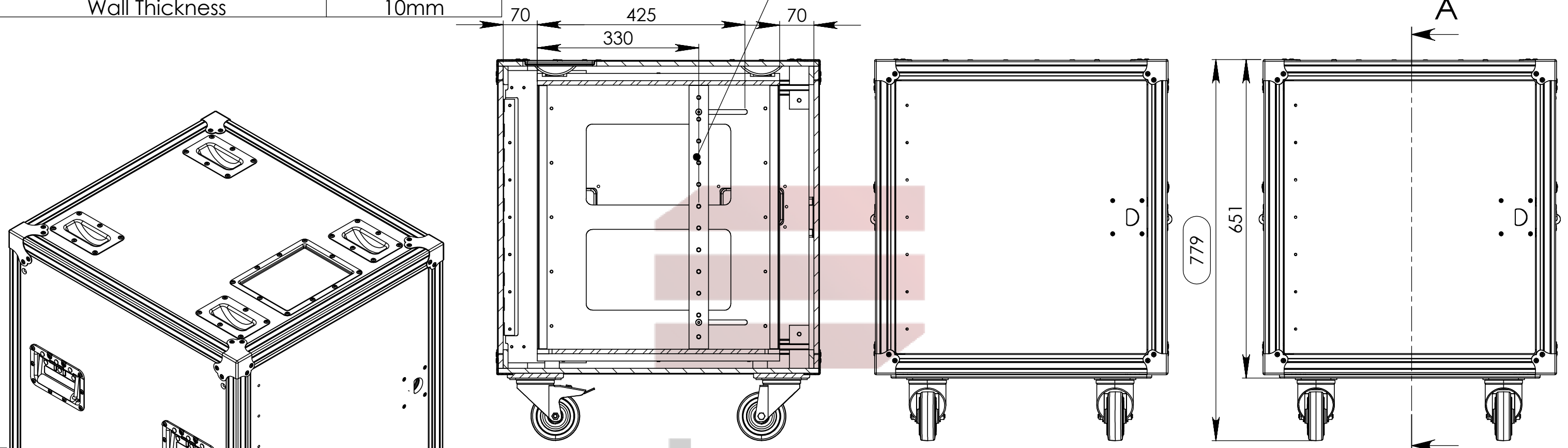


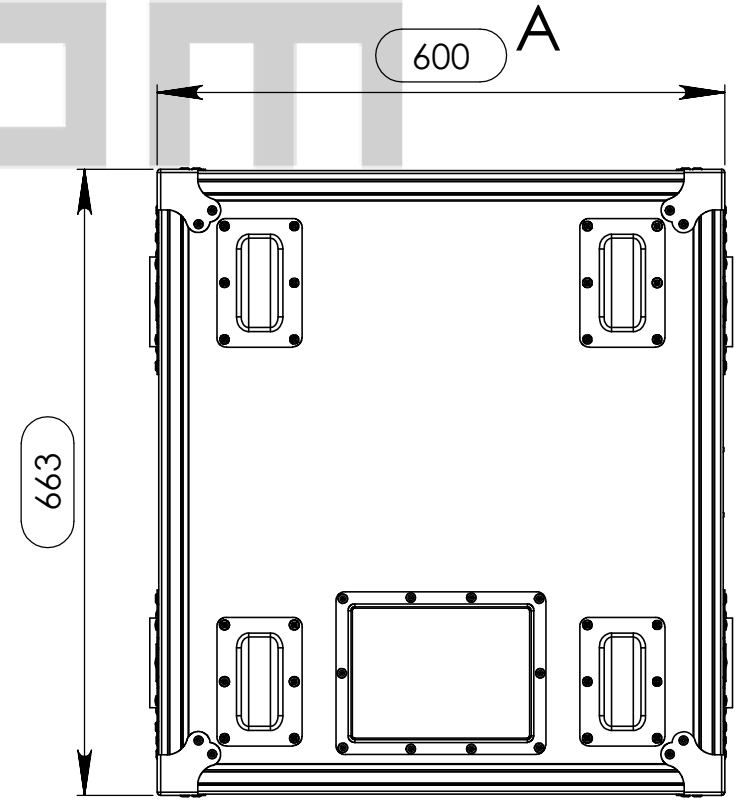
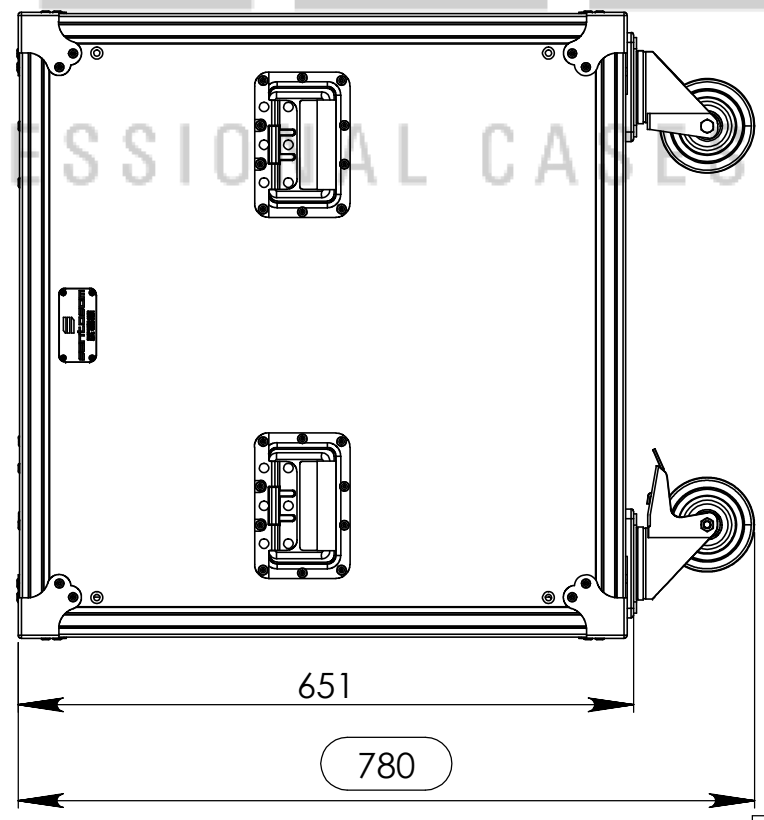
Interior dimensions		
Width	Depth	Height
19"	530/330-425	12Un
Weight	Approx. 42 Kg	
Wall Thickness	10mm	

OPTION
Amplifier Back support adjustable
between 330mm and 425mm



SECTION A-A

Hardware		
Qty	Ref.	Description
8	4150	FLAT CORNER
1	88001D	Dish for 88001 Tour Label
4	38083	Castor dish deep zinc plated
4	34082	Recessed sprung handle medium model
2	16540	Sliding Latch System - Sliding Latch
2	RODA.100T	Swivel castor Ø100mm with brake
2	RODA.100	Swivel castor Ø100 mm



This drawing must not be copied or disclosed without consent of the owner

Drawn by	Name	Date
DanielLopes	DanielLopes	07-04-2014
Reference	ASD3.1253R	
Scale	units in mm	general tolerance
1:8	DO NOT SCALE	0.8mm
1st Angle projection	ASD3 SIDE SLIDING RACK 19", 12U 500 - RODAS	

