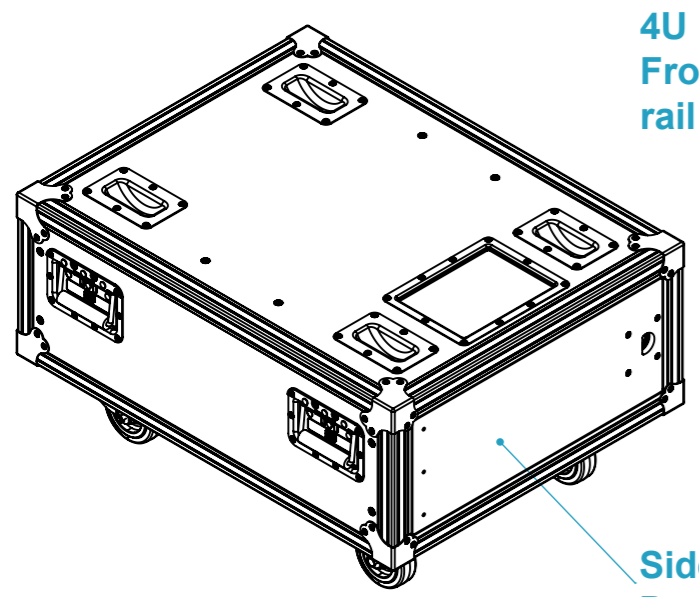
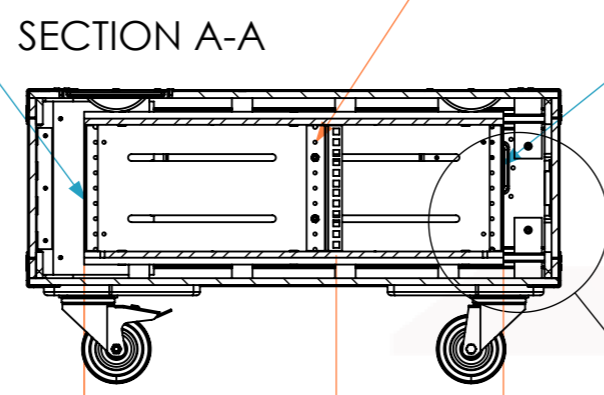


Internal Dimensions		
Width	Depth	Height
19"	610	4 U
Weight	Approx. 30 Kg	
Wall Thickness	10mm	



4U Front rack rail

Side Sliding Door

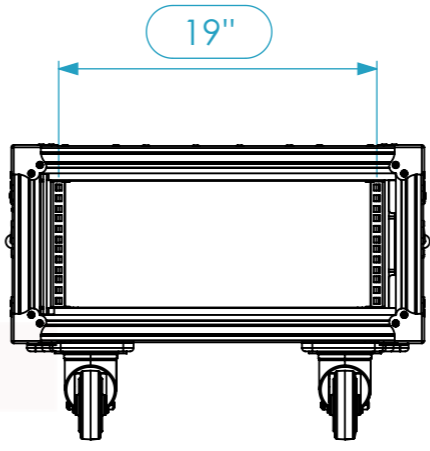


4U Adjustable side rack rail (Amplifier Back support)

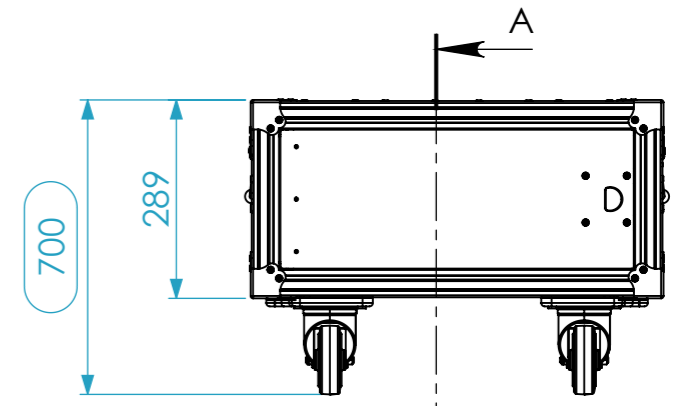
4U Back rack rail

40 to 370 Adjustable

610 between rails

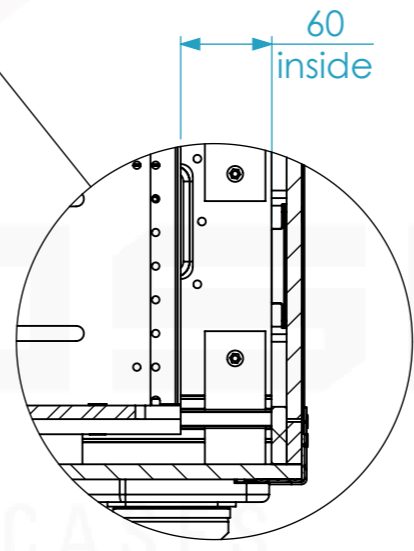
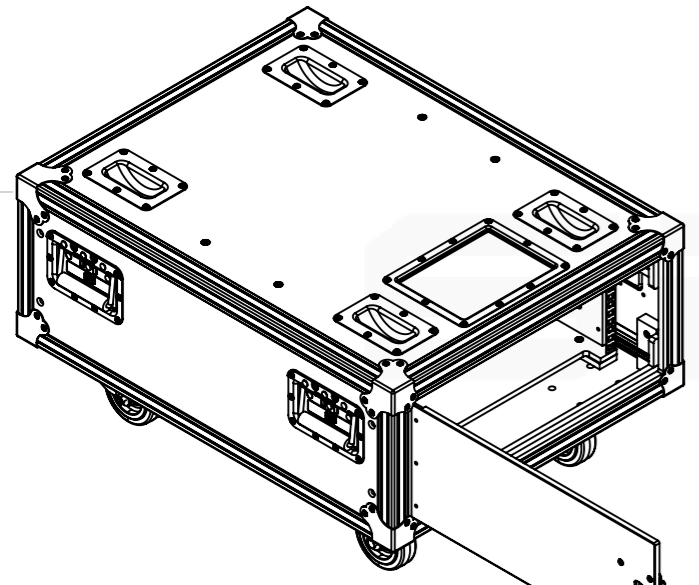


19"

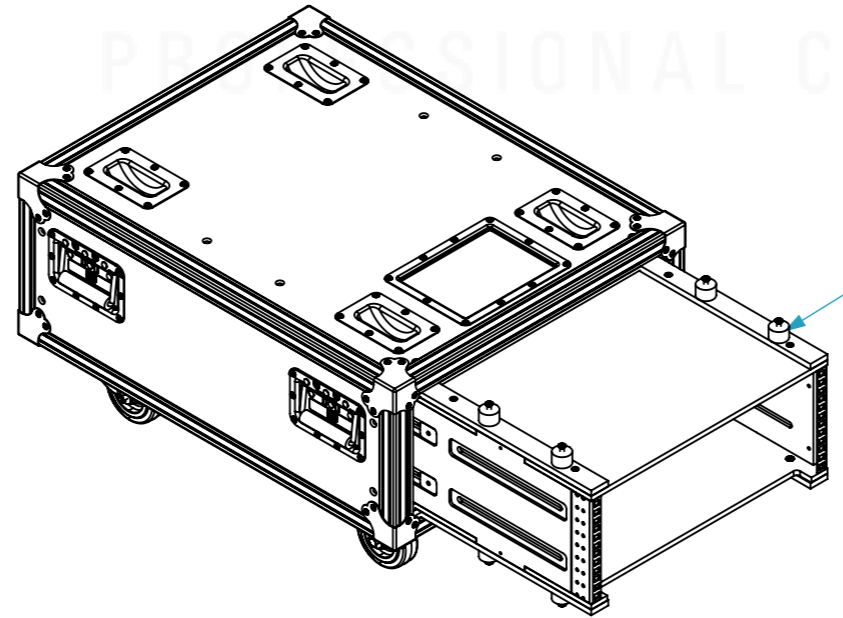


700

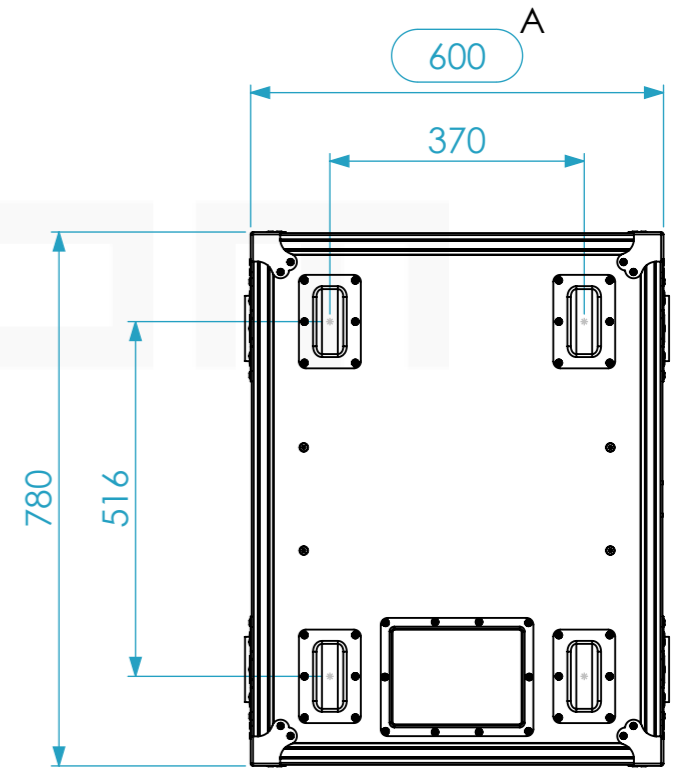
289



60 inside



Anti-vibration mounts between the inner rack and the flightcase



600

370

780

516

Drawn by	alexandre	Date	02-08-2018
Reference	ASD3.0461R		
Scale	1:1	units in mm	general tolerance 0.8mm
1st Angle projection	ASD3 Side Sliding Rack 19" 4U 610		



This drawing must not be copied or disclosed without consent of the owner

A3