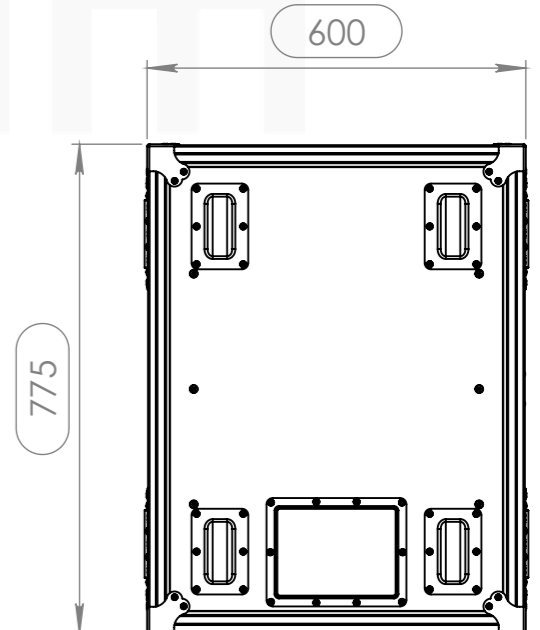
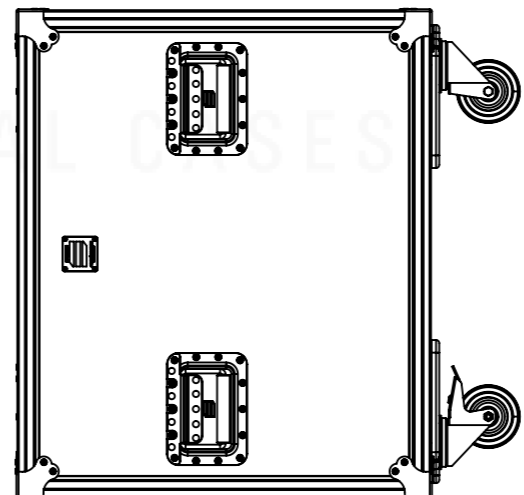
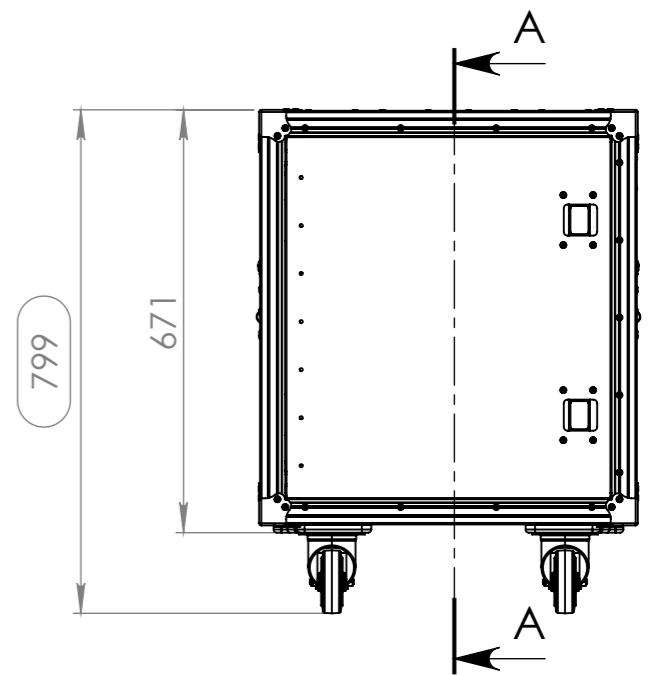
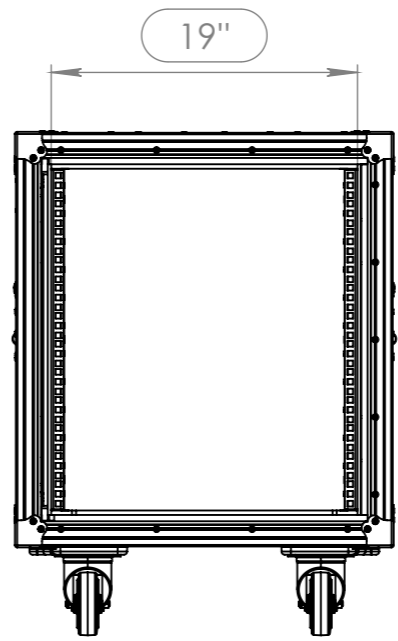
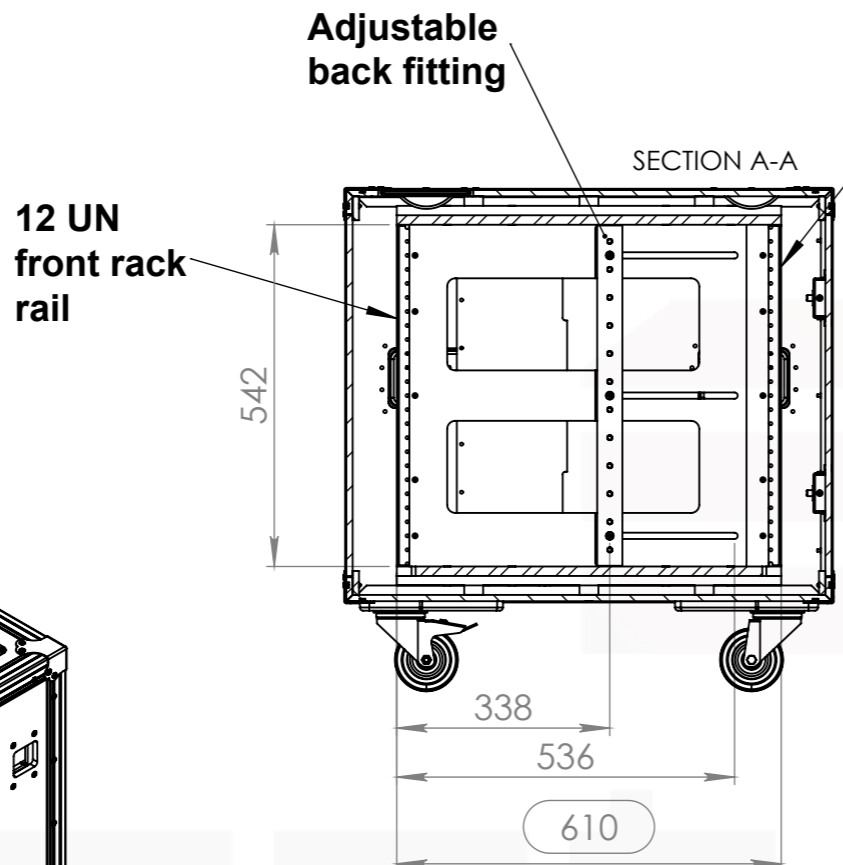
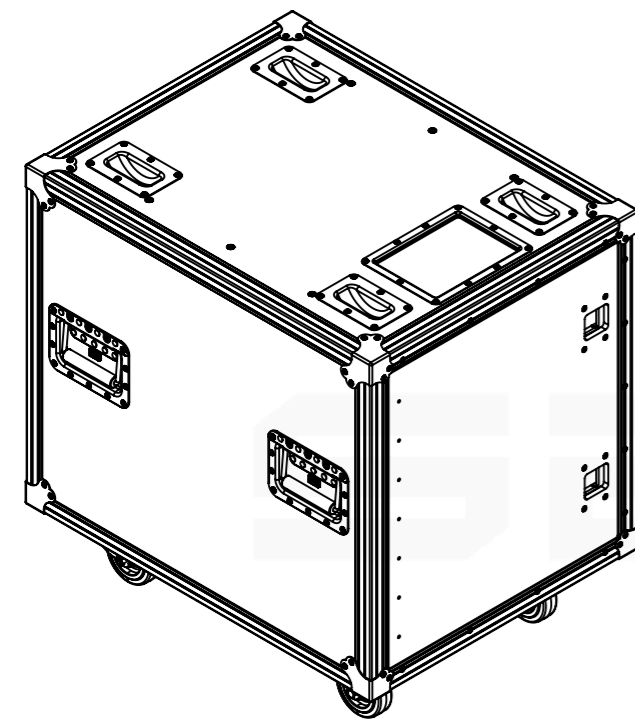


Internal Dimensions		
Width	Depth	Height
486	610 / 338 - 536	12 UN
Weight	Approx. 47 Kg	
Wall Thickness		10mm



Hardware		
Qty	Ref.	Description
8	4150	FLAT CORNER
4	34085	Large, heavy duty, recessed sprung handle
1	88001D	Dish for 88001 Tour Label
4	38083	Castor dish deep zinc plated
4	16540SH	FECHO X-BOX SOUTHCO 89X88X19 MM
2	RODA.100	Swivel castor Ø100 mm
2	RODA.100T	Swivel castor Ø100mm with brake

This drawing must not be copied or disclosed without consent of the owner

Drawn by	alexandre	Date	08/03/2017
Reference	ASD2.1261R		
Scale	1:12	units in mm	general tolerance 0.8mm
1st Angle projection	19" SIDE SLIDING-RACK ASD2 12U 610, WHEELS		

