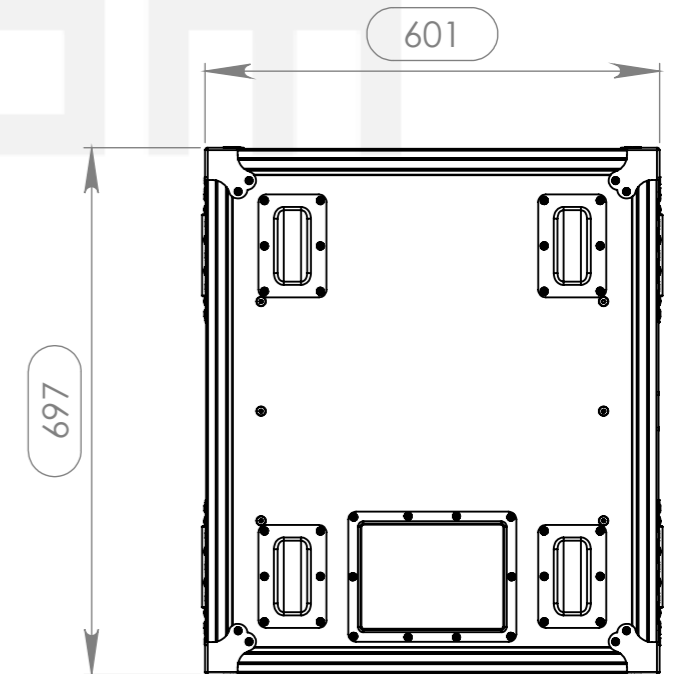
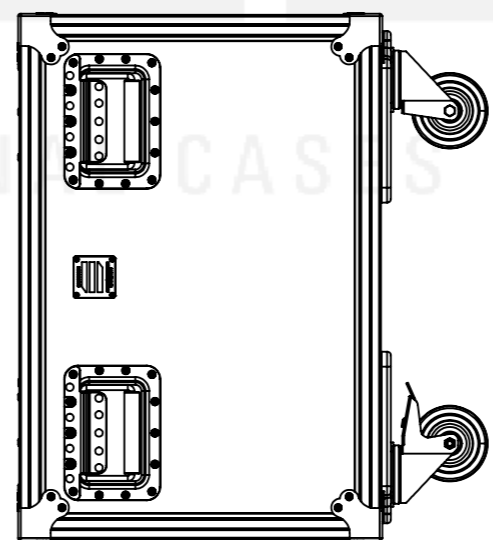
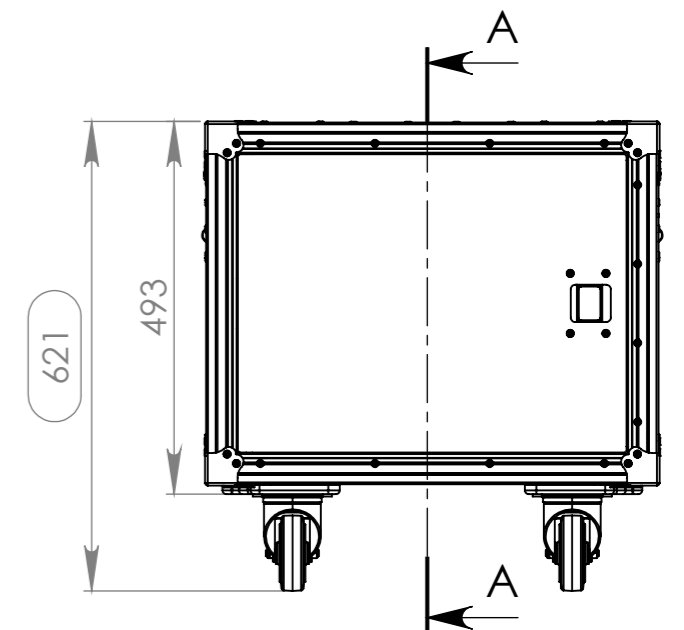
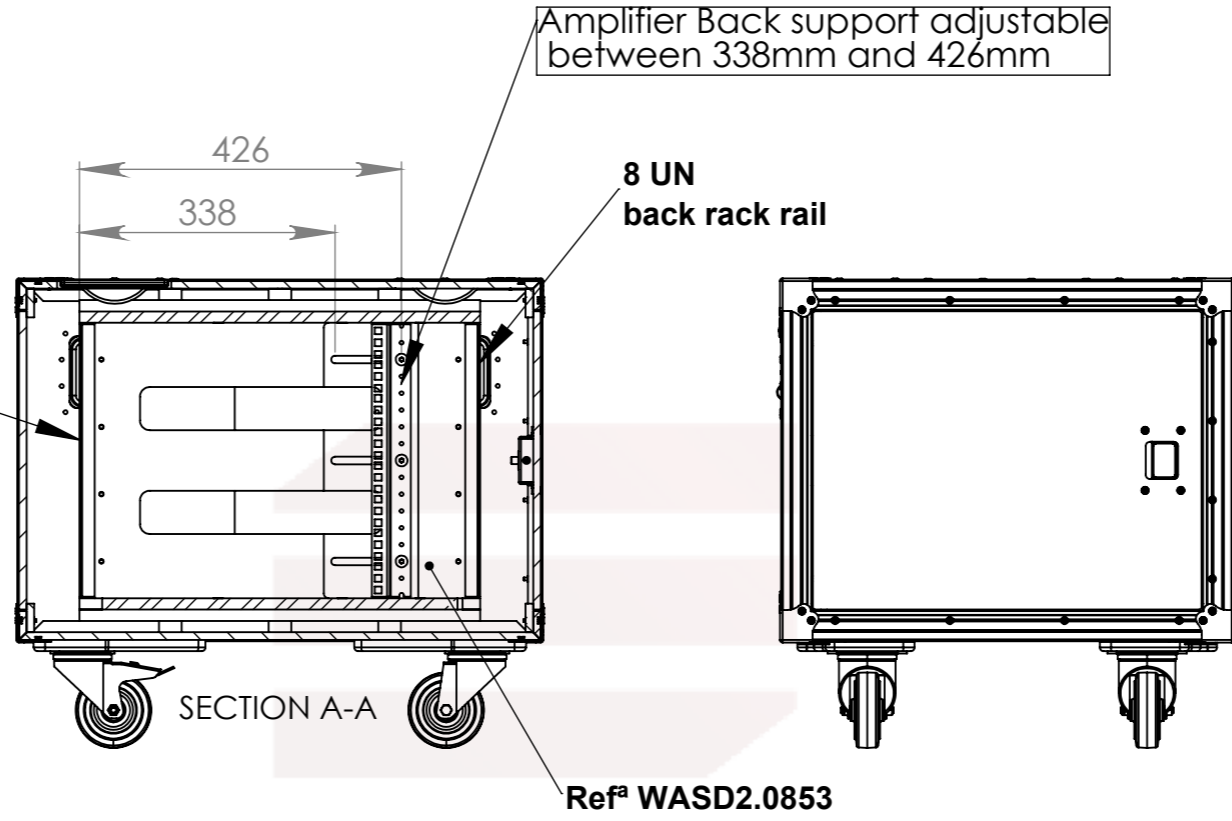
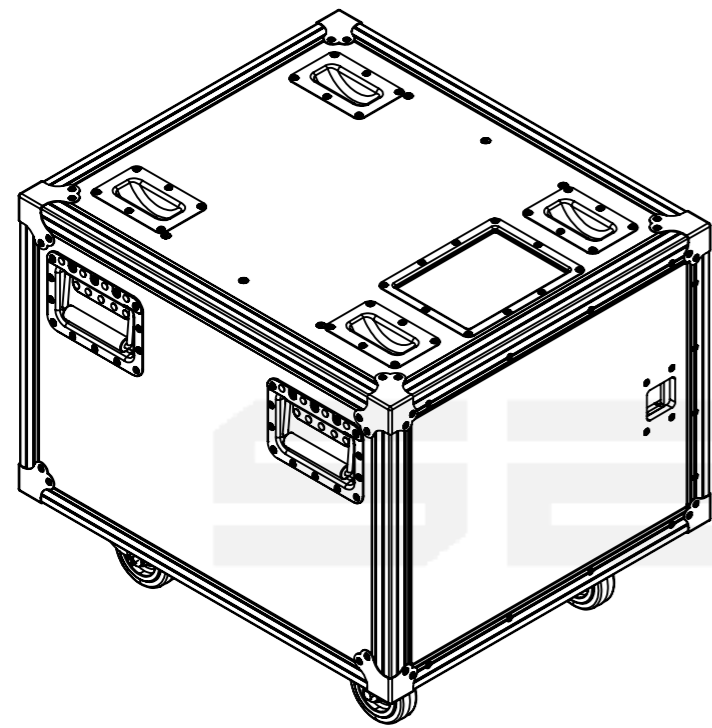


# Interior dimensions

Width	Depth	Height
19"	530/338-426	8Un
Weight	Approx. 39 Kg	
Wall Thickness	10mm	



## Hardware

Qty	Ref.	Description
8	4150	FLAT CORNER
4	34085	Large, heavy duty, recessed sprung handle
1	88001D	Dish for 88001 Tour Label
4	38083	Castor dish deep zinc plated
2	16540SH	Latche ux-box Southco 89x88x19 mm
2	RODA.100	Swivel castor Ø100 mm
2	RODA.100T	Swivel castor Ø100mm with brake

This drawing must not be copied or disclosed without consent of the owner

Drawn by	Name	Date
jorgepacheco	jorgepacheco	04/09/2017
Reference	ASD2.0853R	
Scale	units in mm	general tolerance
1:10	DO NOT SCALE	0.8mm
1st Angle projection	ASD2 Side Sliding Rack 19", 8U 530	

