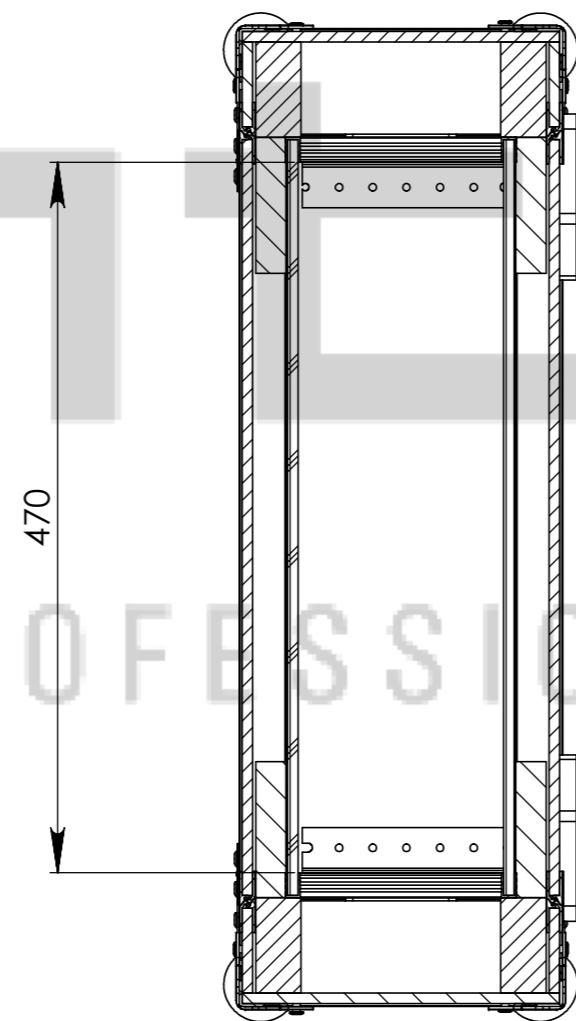
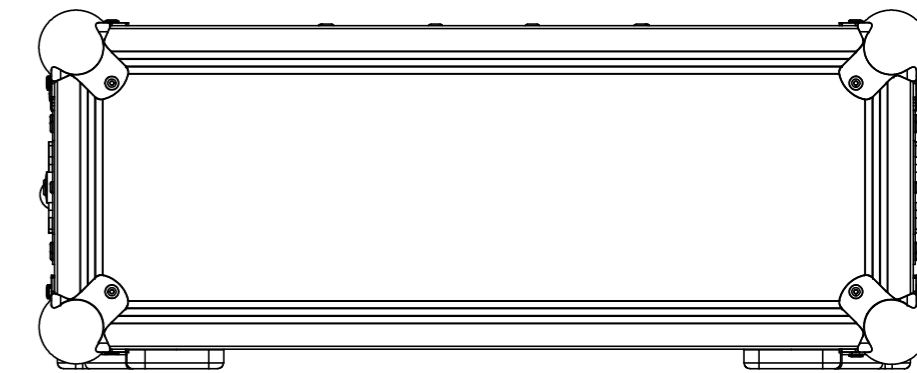
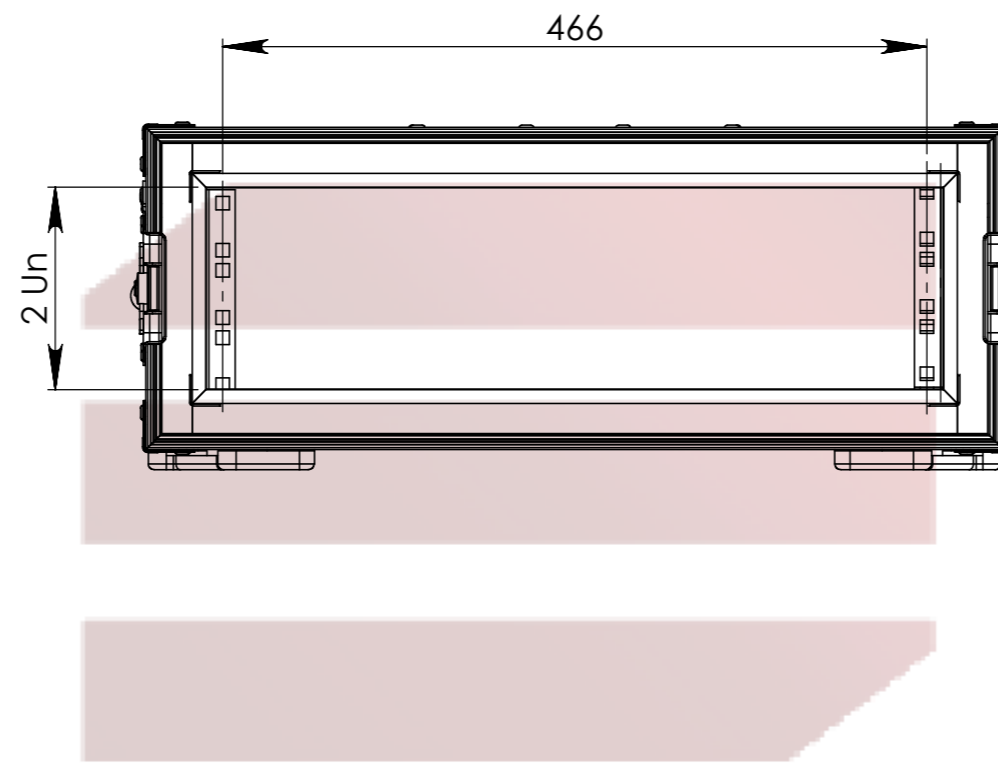
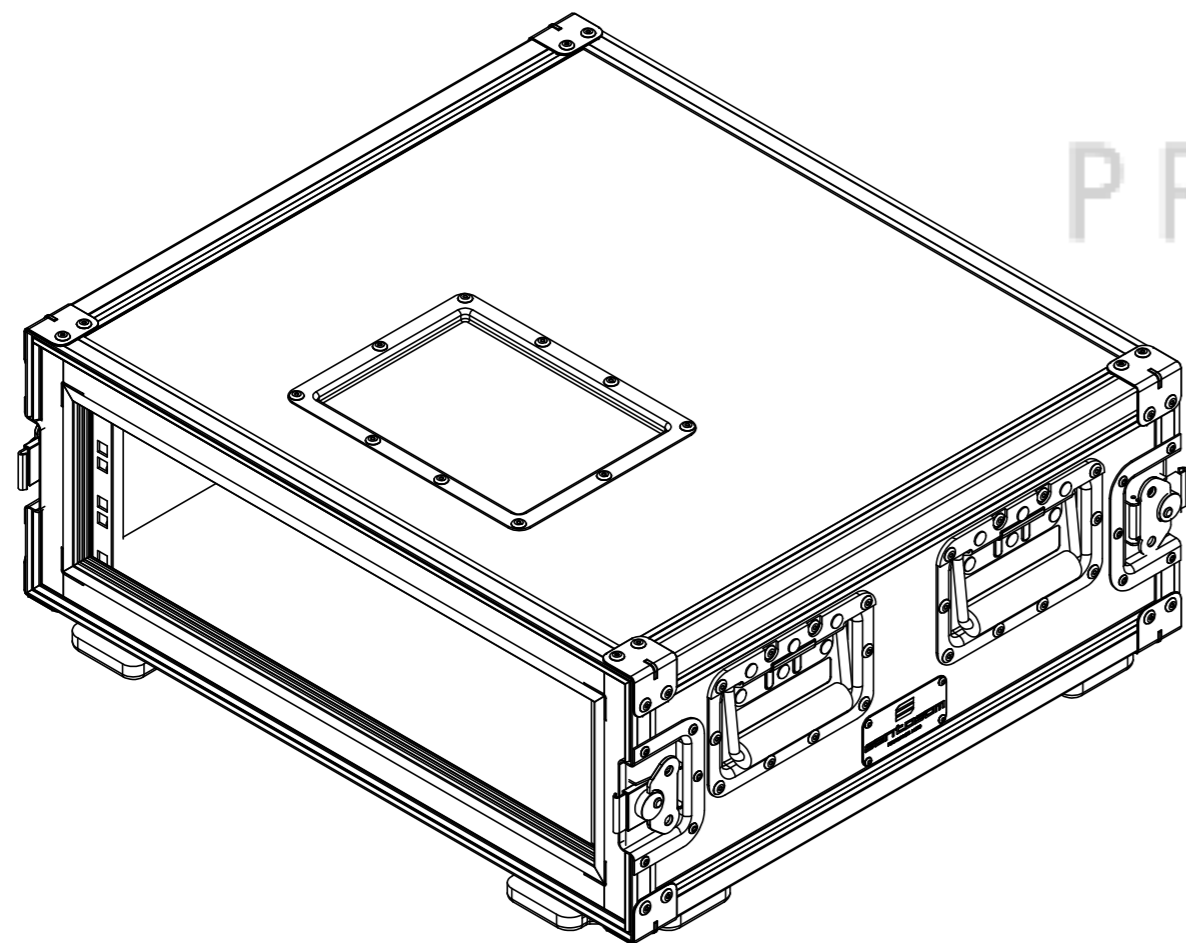
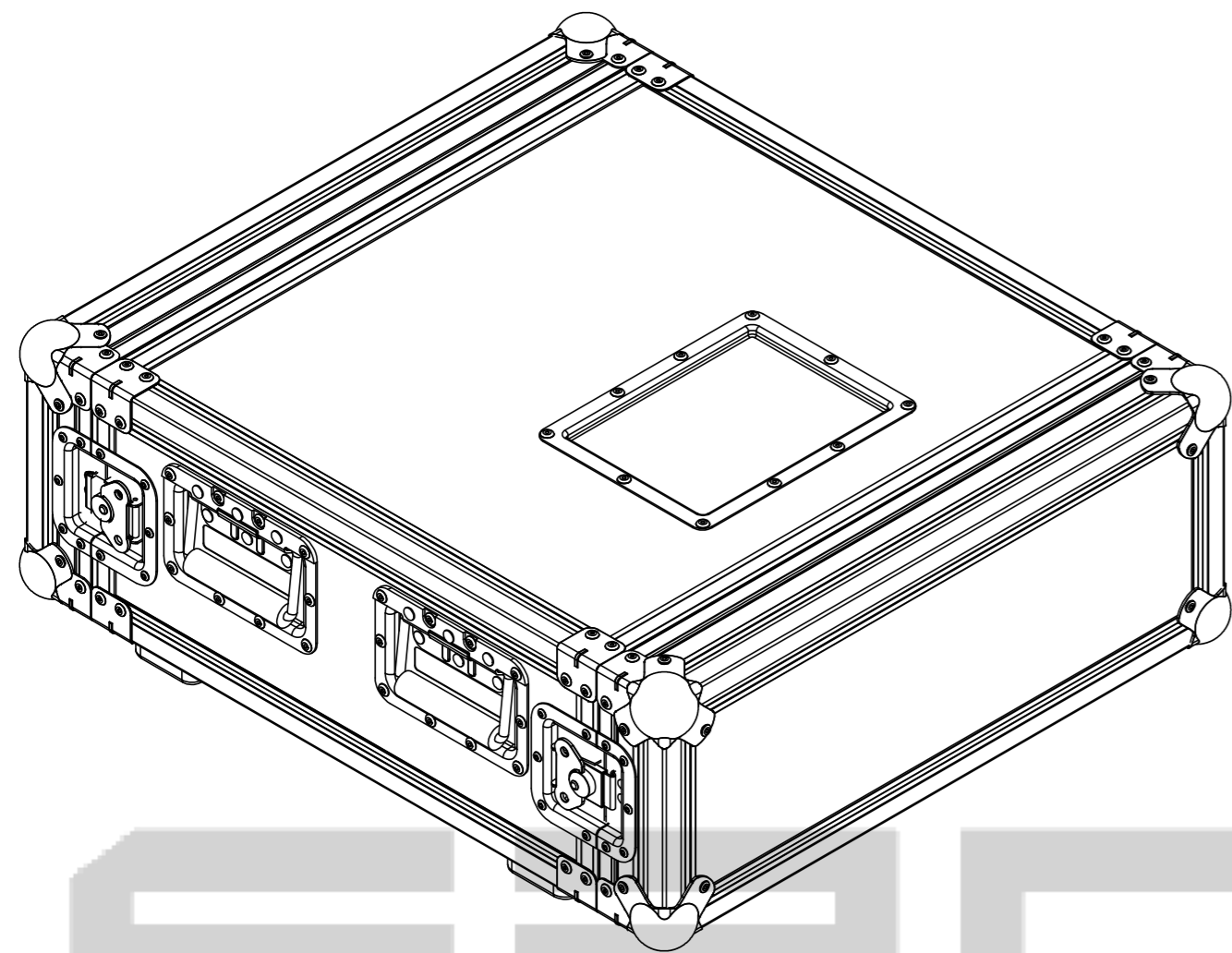
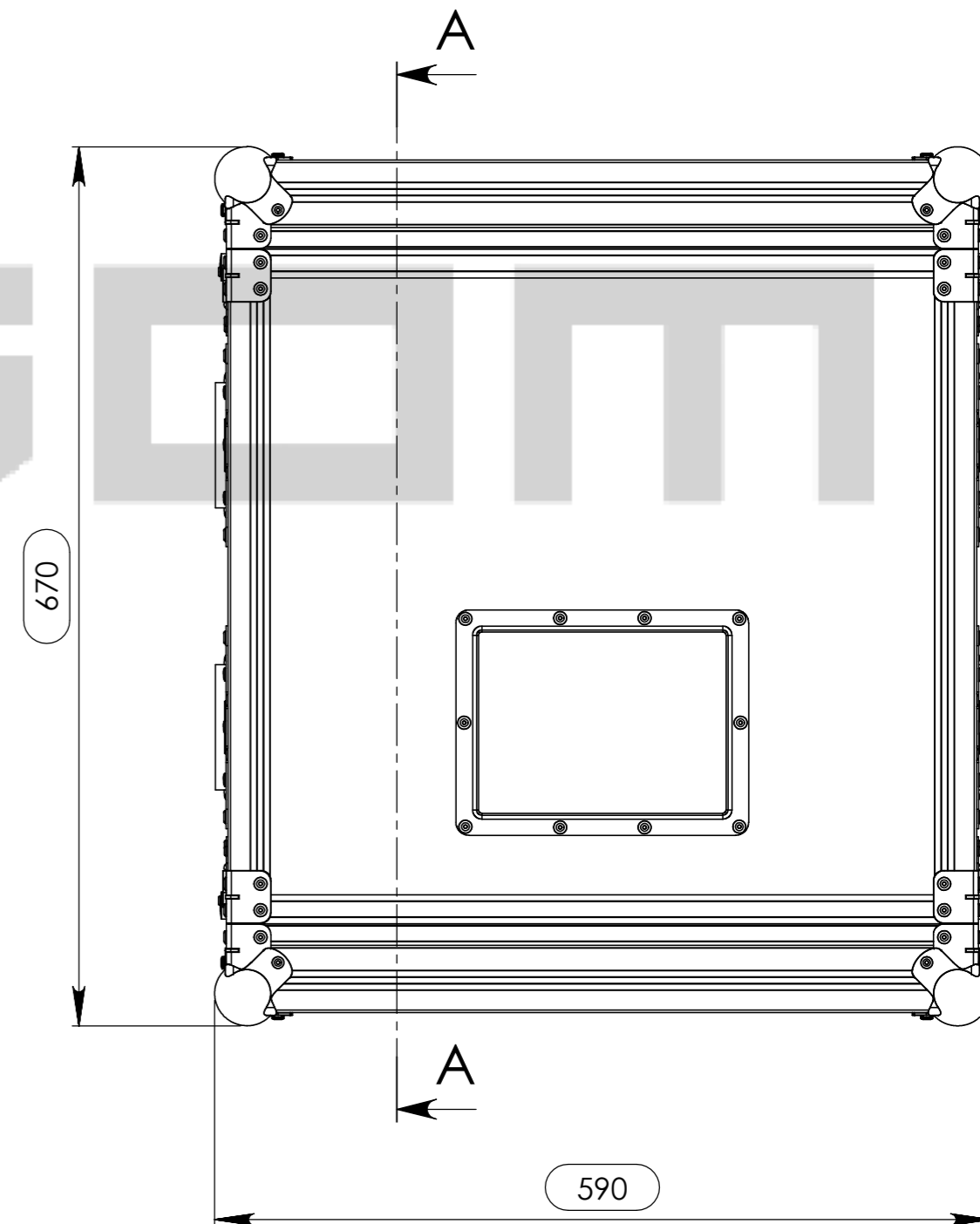
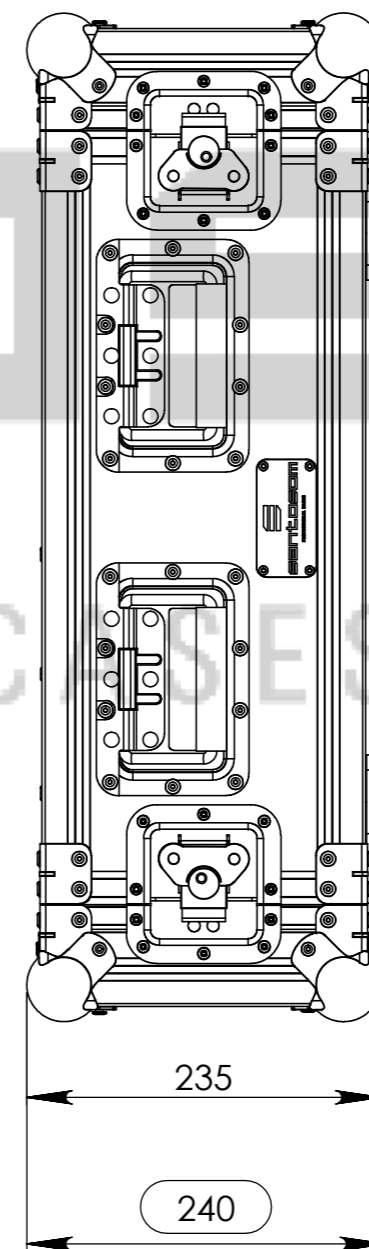


| Interior dimensions | | |
|---------------------|---------------|--------|
| Width | Depth | Height |
| 19" | 500 | 3Un |
| Weight | Approx. 17 Kg | |
| Wall Thickness | 7mm | |



SECTION A-A



| | | |
|----------------------|--------------------------------|--------------------------|
| Drawn by | Name | Date |
| pedroneves | pedroneves | 02-02-2012 |
| Reference | AS2T.0350 | |
| Scale | 1:5 | general tolerance 0.08mm |
| 1st Angle projection | Rack 2T, Anti-shock 19" 3U 500 | |



This drawing must not be copied or disclosed without consent of the owner