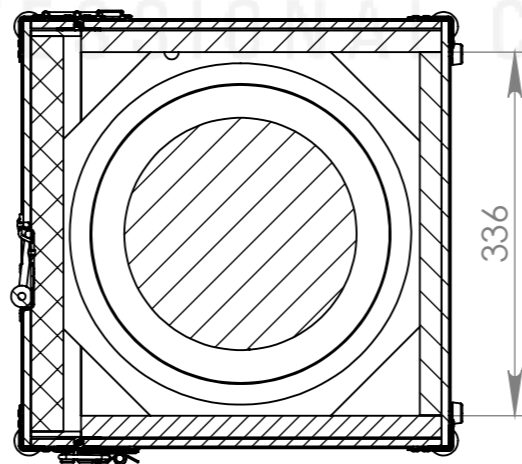
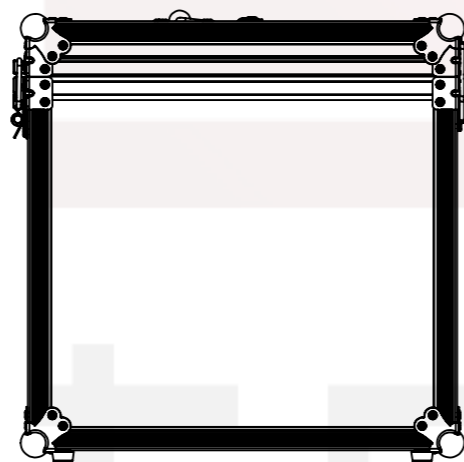
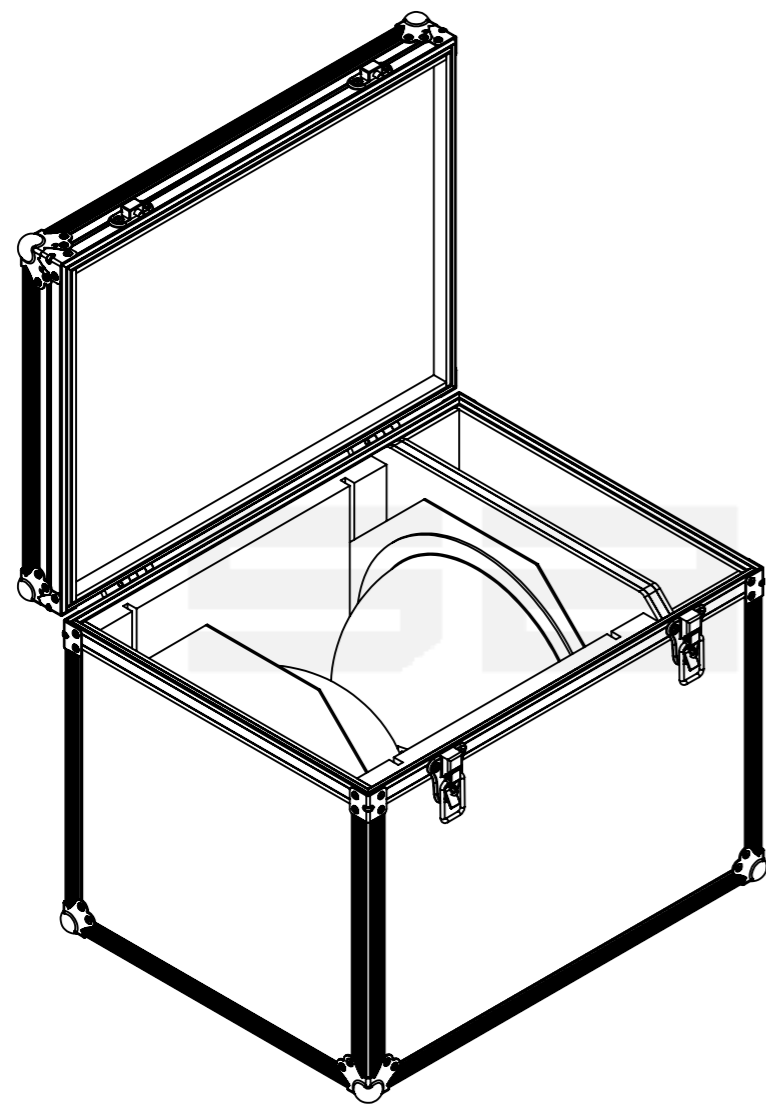
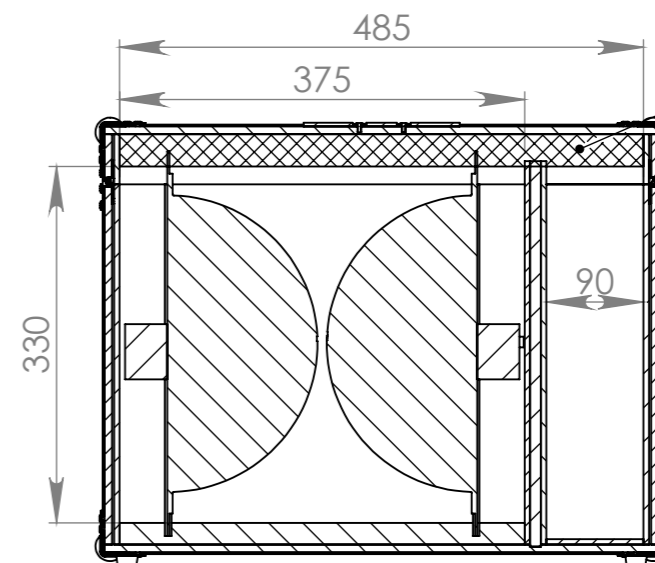


Interior dimensions		
Width	Depth	Height
485	336	330
Weight	Approx. 7 Kg	
Wall Thickness		7mm

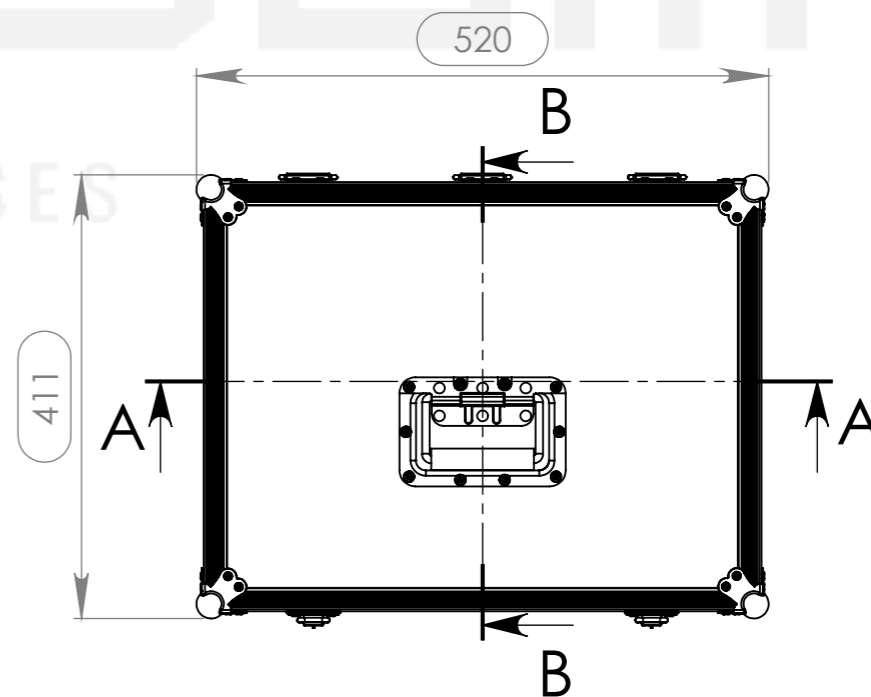
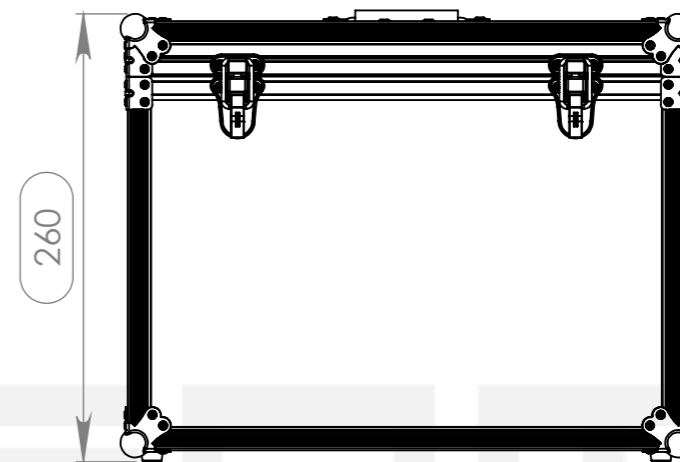


SECTION B-B



SECTION A-A

Pressing Eggbox
Foam
30 mm thick



Drawn by	Name	Date
ezequiel	ezequiel	21-12-2016
Reference	ANTENA.104	
Scale	units in mm	general tolerance
1:7	DO NOT SCALE	0.8mm
FC. 2X SENNHEISER A5000-CP		

This drawing must not be copied or disclosed without consent of the owner

