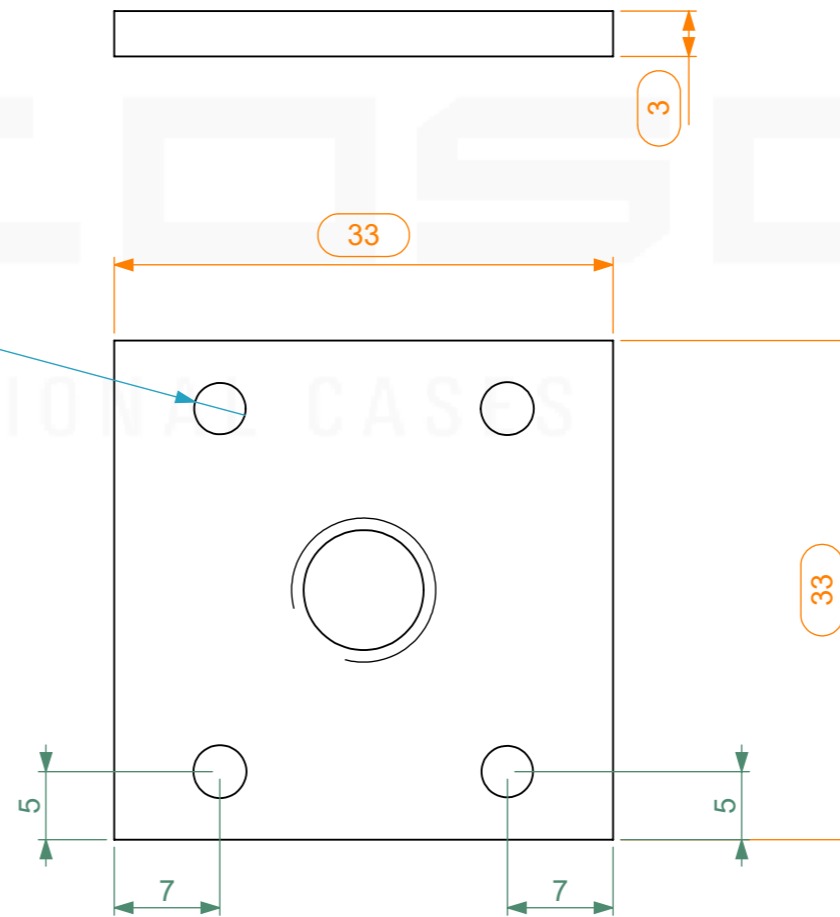


Ø 8 THRU ALL
3/8-16 UNC THRU ALL

Ø 3 THRU



Fazer rosca de 3/8 na chapa de 3 mm

Passivação a Preto

Material: Chapa de Aço DC01
Espessura: 3
Planificado: 33 x 33
Furos: 5
Quinagens: 0
Peso: 0 kg

General External Dimensions	
W	Width
D	Depth
H	Height
Usable Inner Dimensions	
Wi	Inside Width
Di	Inside Depth
Hi	Inside Height
Wood Inner Dimensions	
WWi	Wood Inside Width
WDi	Wood Inside Depth
WHi	Wood Inside Height

Name	jose.couto	
Date	24/04/2025	
Reference	AMET.188.C01	
Scale	2:1	units in mm
	DO NOT SCALE	general tolerance 0.8mm
1st Angle projection	Chapa com Furo Roscado 3/8"	

This drawing must not be copied or disclosed without consent of the owner

A3

