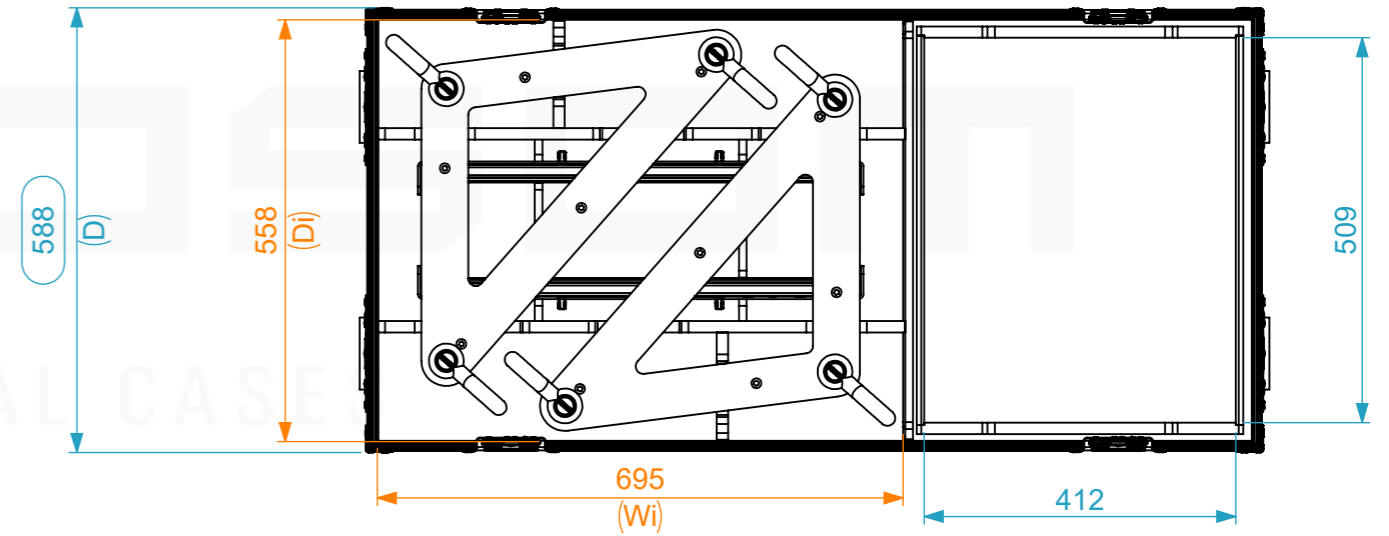
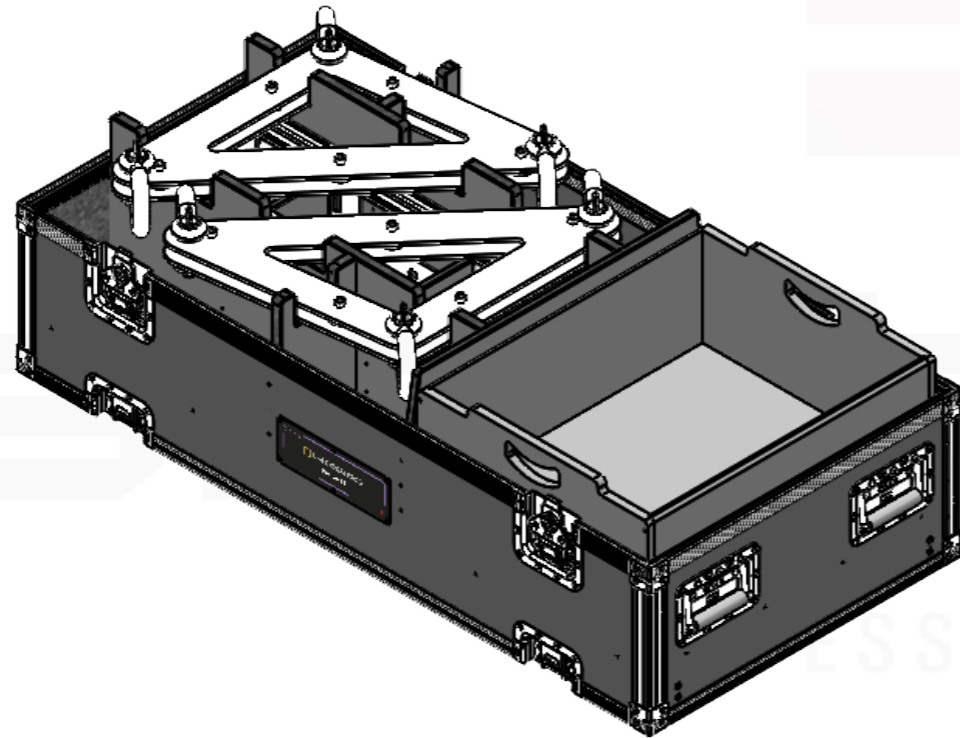
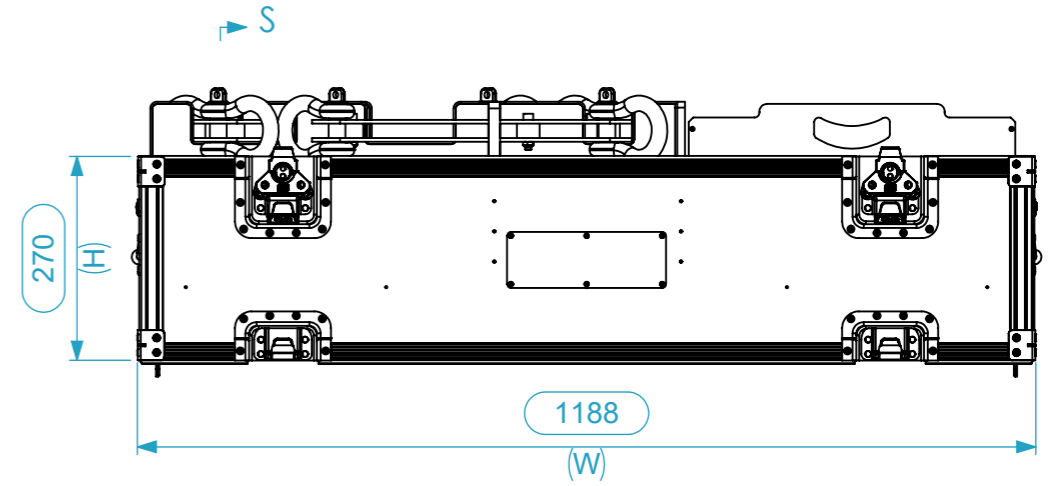
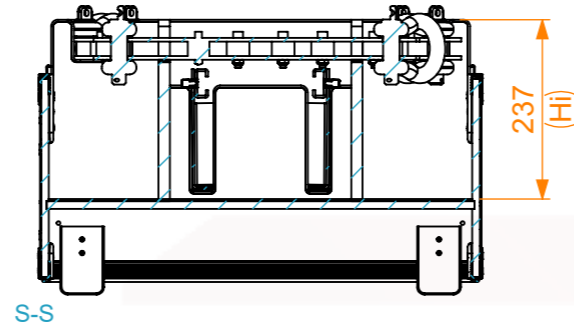
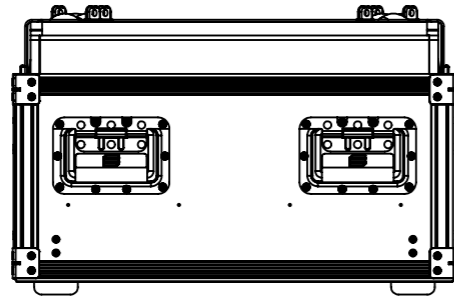
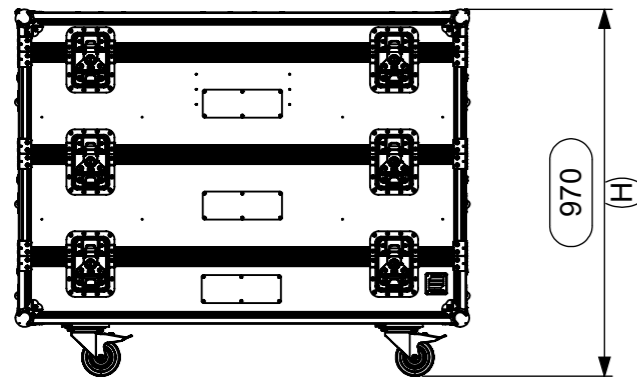


Internal Dimensions		
Width	Depth	Height
694	557	237
Weight	Approx. 35 Kg	
Wall Thickness		10mm



AF4.LACL2F.02 + AF4.LACL2F.02P1



General External Dimensions		Usable Inner Dimensions	
W	Width	Wi	Inside Width
D	Depth	Di	Inside Depth
H	Height	Hi	Inside Height

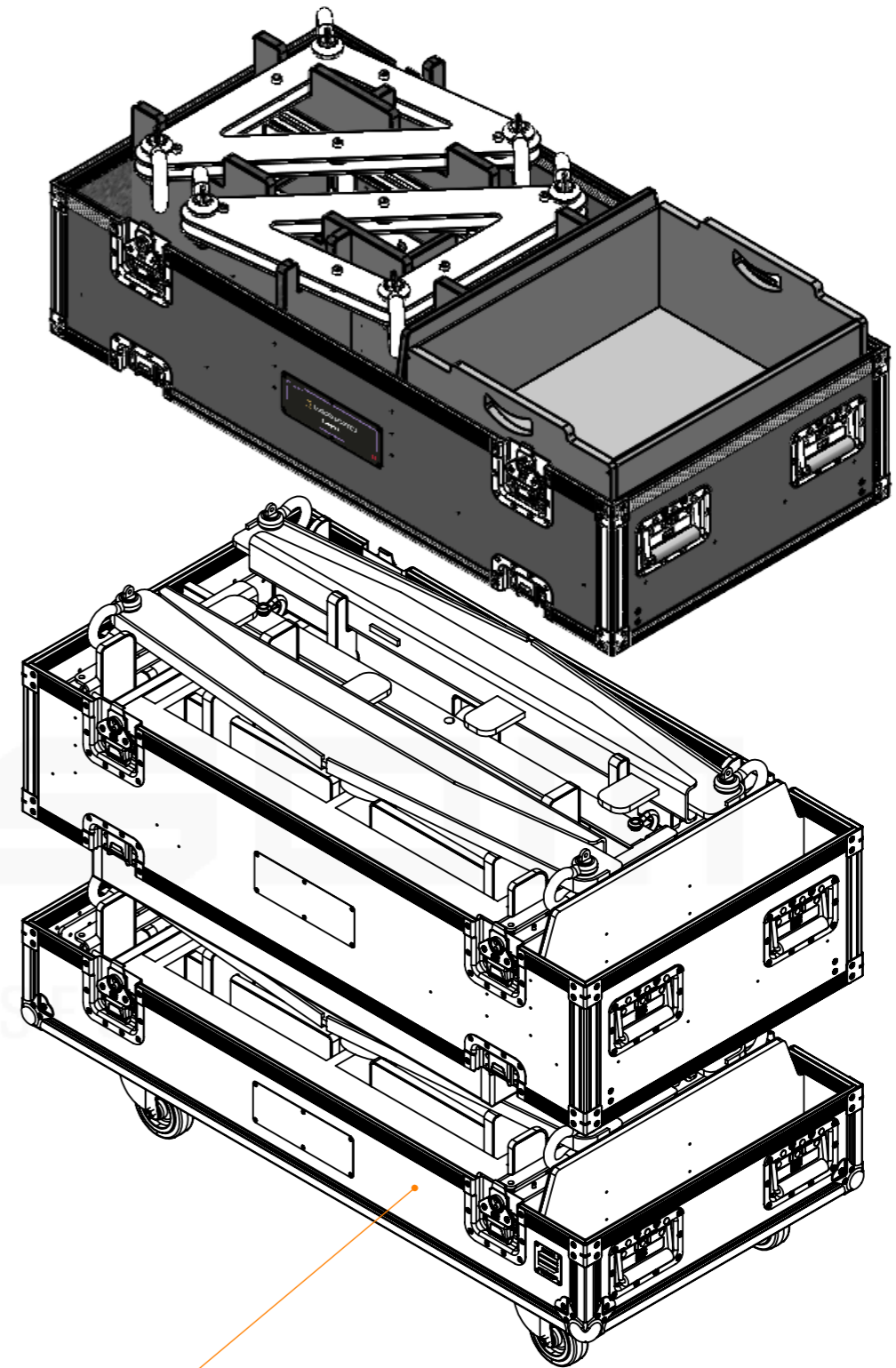
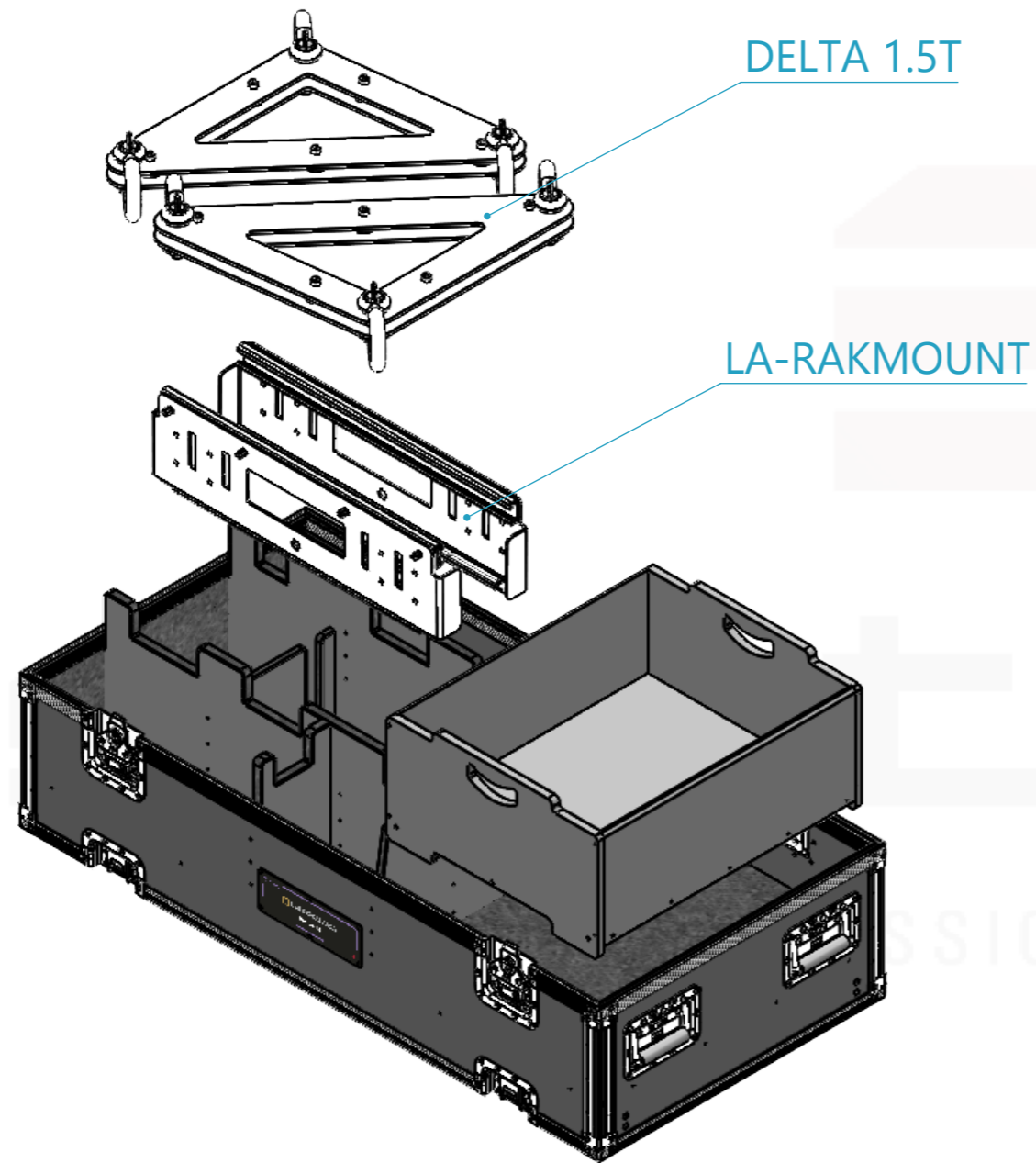
Name	Date
Drawn by	tiago.pais
Reference	AF4.LACL2F.02
Scale	1:1
units in mm	general tolerance 0.8mm
Flight case PRO, 2x L-Acoustics Bumper L2	



This drawing must not be copied or disclosed without consent of the owner



A3



AF4.LACL2F.02

General External Dimensions		Usable Inner Dimensions		Wood Inner Dimensions	
W	Width	Wi	Inside Width	WWi	Wood Inside Width
D	Depth	Di	Inside Depth	WDi	Wood Inside Depth
H	Height	Hi	Inside Height	WHi	Wood Inside Height

Drawn by	tiago.pais	Date	08/06/2026
Reference	AF4.LACL2F.02		
Scale	1:20	units in mm	general tolerance 0.8mm
1st Angle projection	Flight case PRO, 2x L-Acoustics Bumper L2		



This drawing must not be copied or disclosed without consent of the owner

A3