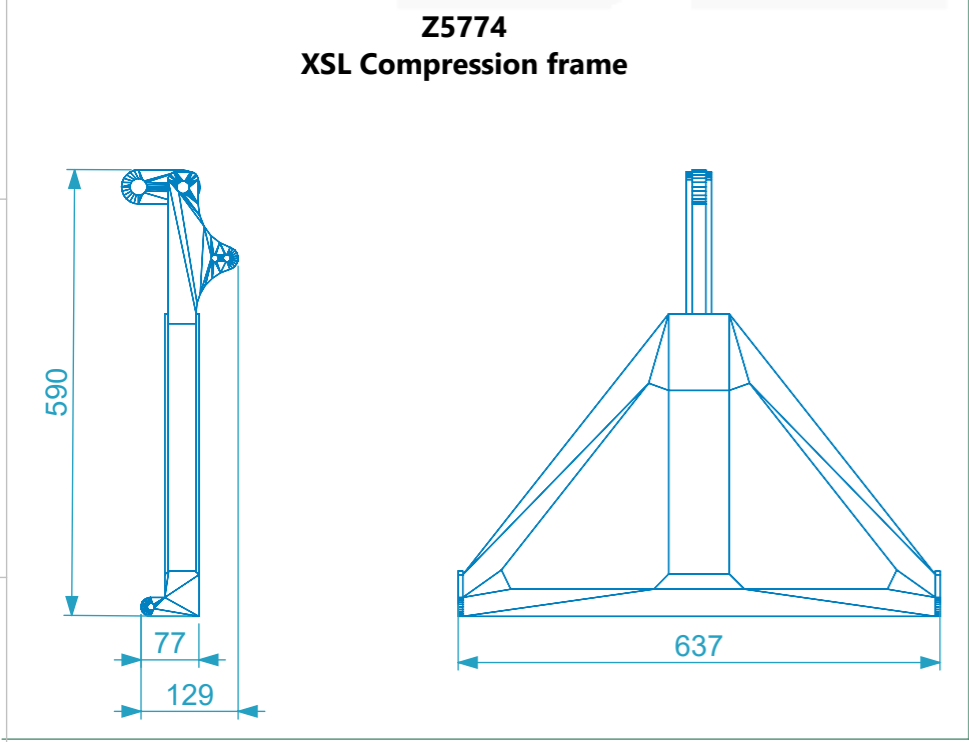
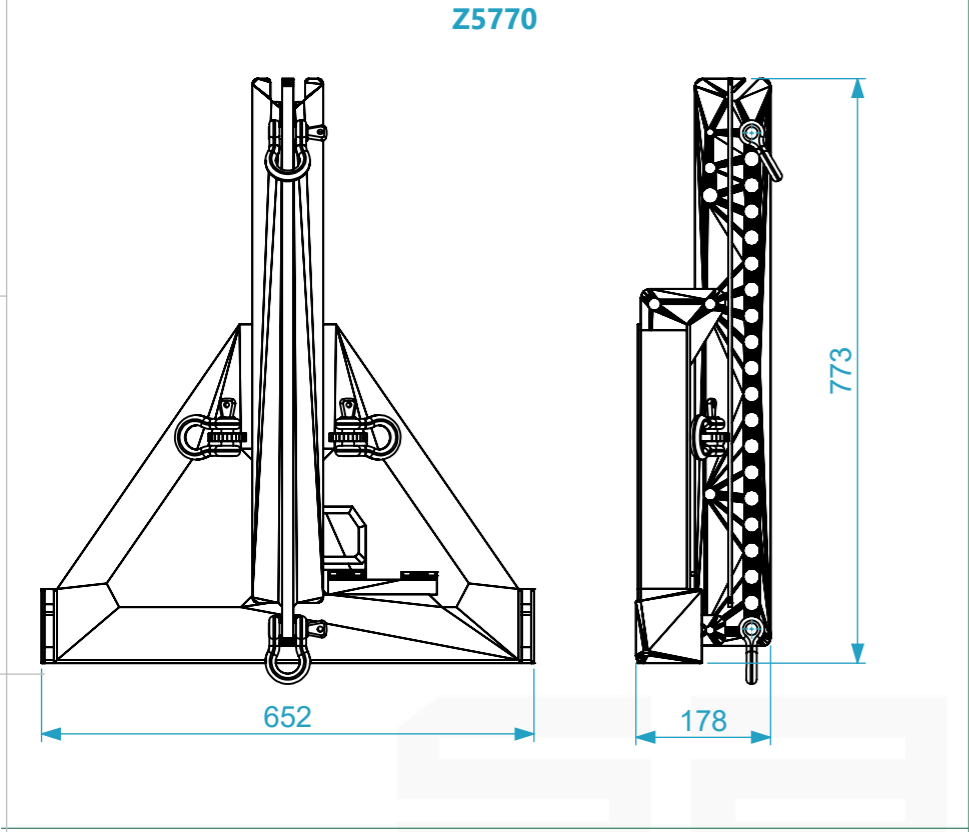
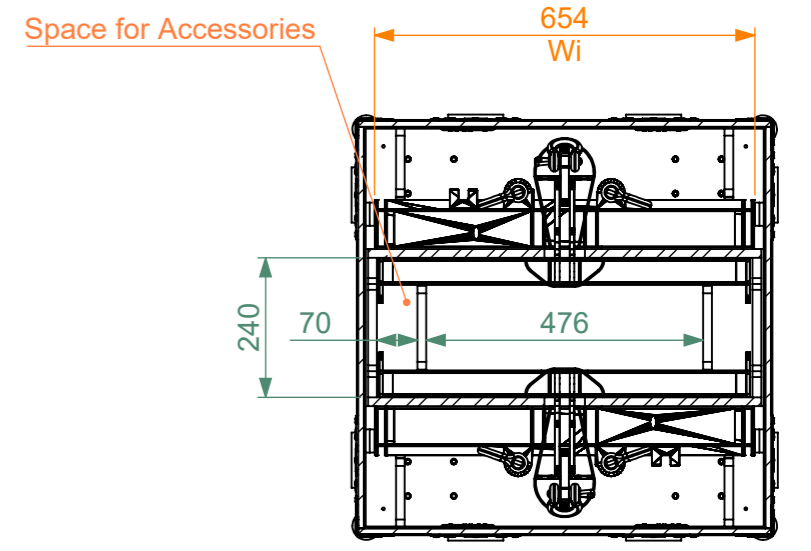
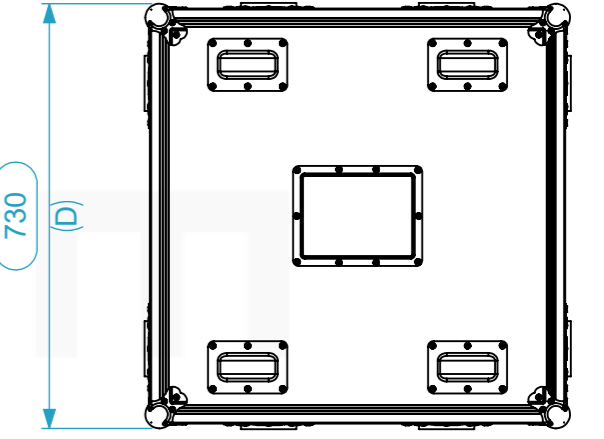
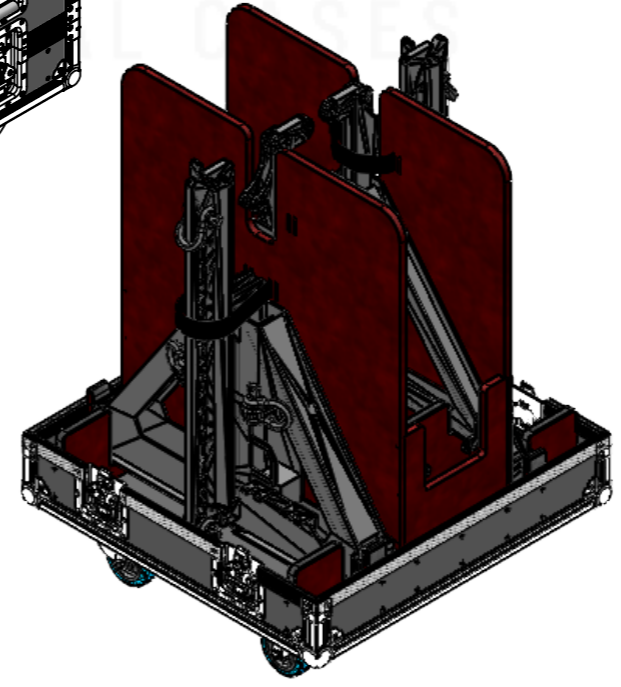
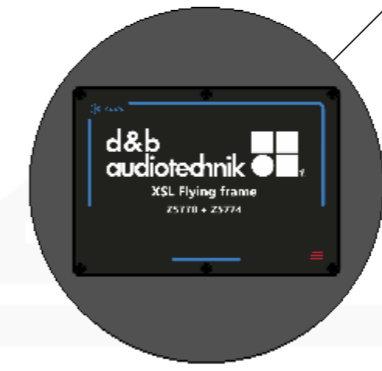
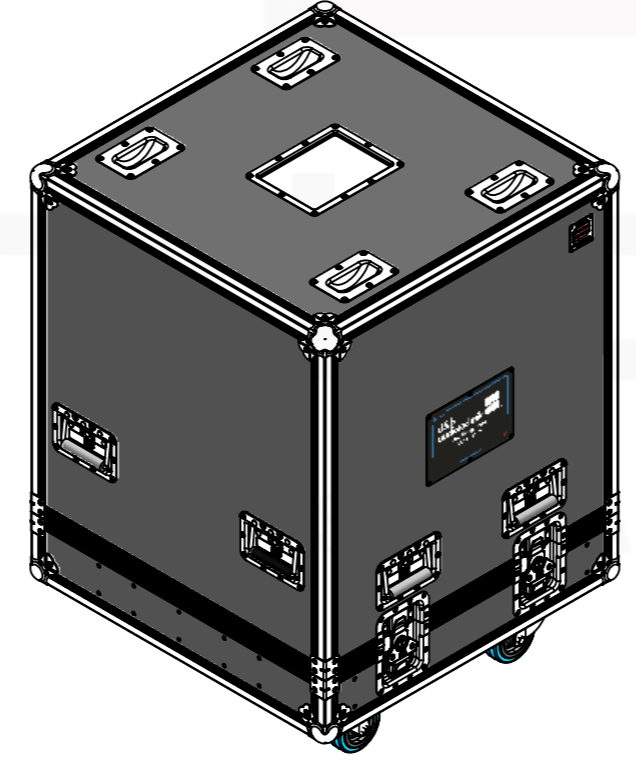
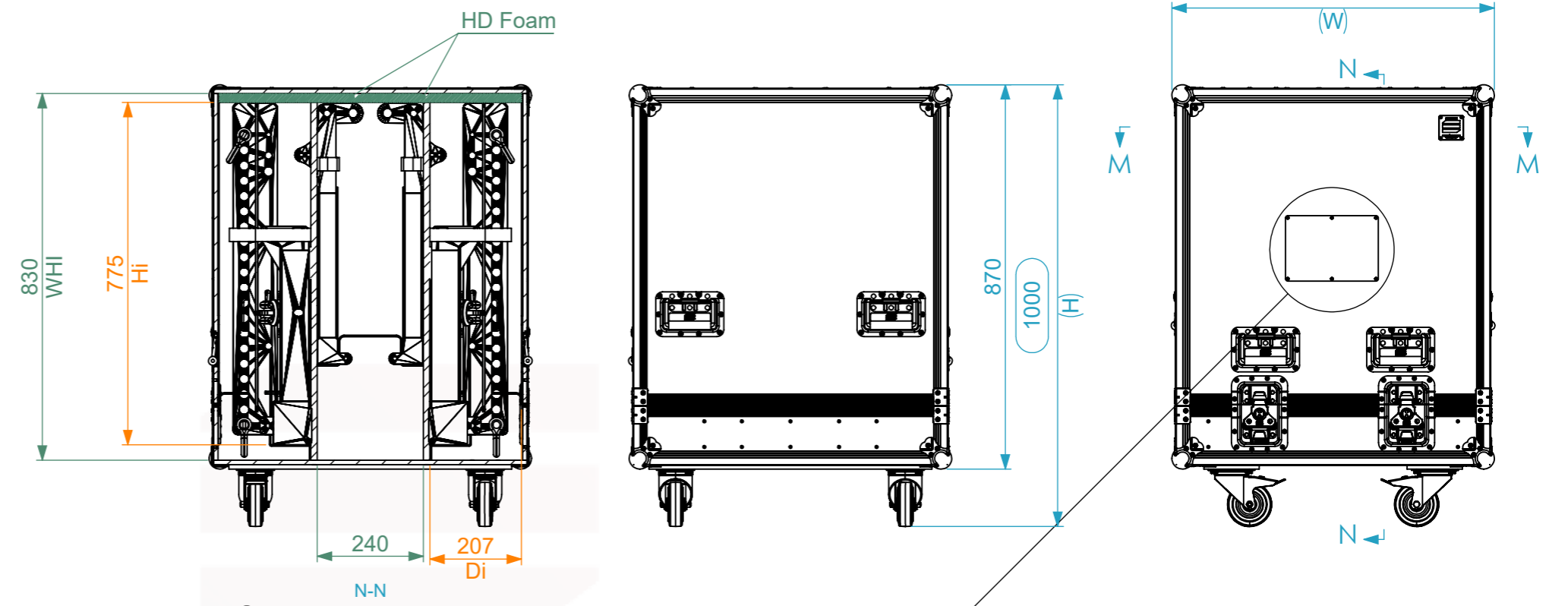


Equipment		D&B XSL Flying Frame	
Width	Depth	Height	
652	178	773	
Internal Dimensions			
Width	Depth	Height	
654	207	775	
FC Weight	Approx. 56 Kg		
Wall Thickness		10mm	



General External Dimensions		Usable Inner Dimensions		Wood Inner Dimensions	
W	Width	Wi	Inside Width	WWi	Wood Inside Width
D	Depth	Di	Inside Depth	WDi	Wood Inside Depth
H	Height	Hi	Inside Height	WHi	Wood Inside Height



This drawing must not be copied or disclosed without consent of the owner

Name	Date
Drawn by jose.couto	29/01/2025
Reference	AF2.DBAXSLFR.02
Scale	1:13
units in mm	general tolerance 0.8mm
DO NOT SCALE	
1st Angle projection	Flight case PRO, 2x D&B XSL Flying frame



A3