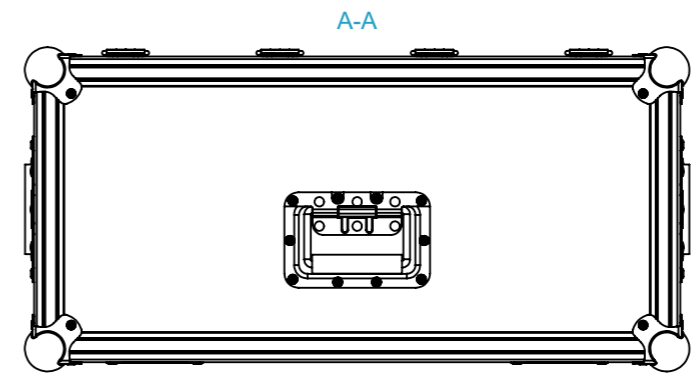
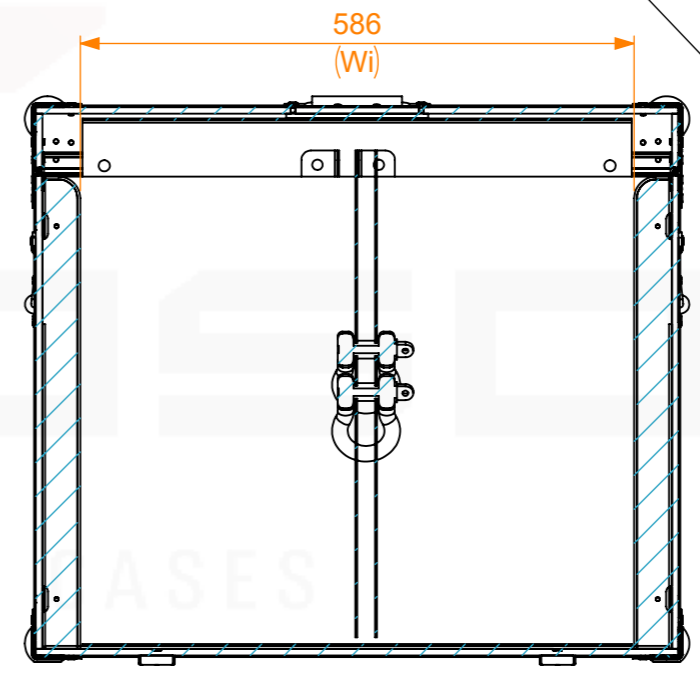
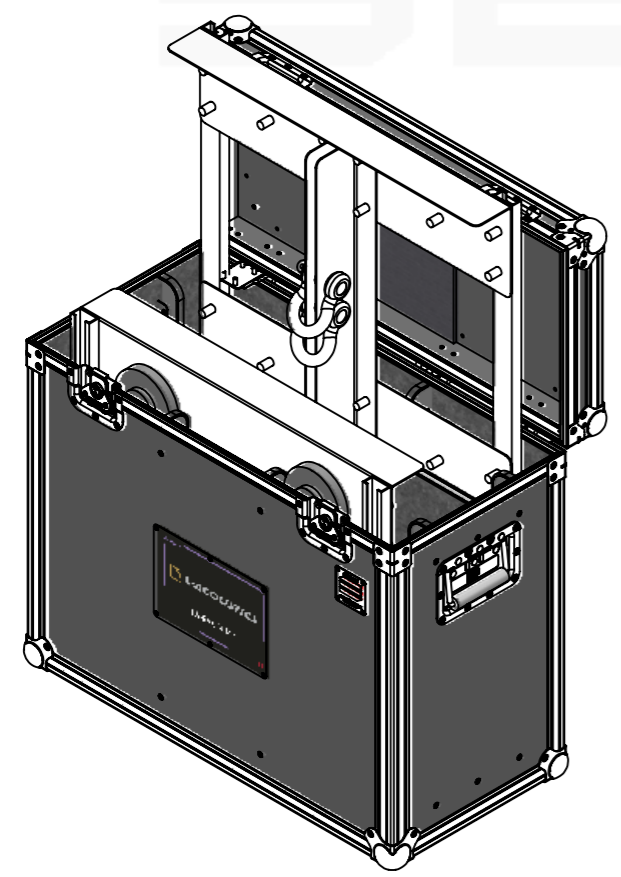
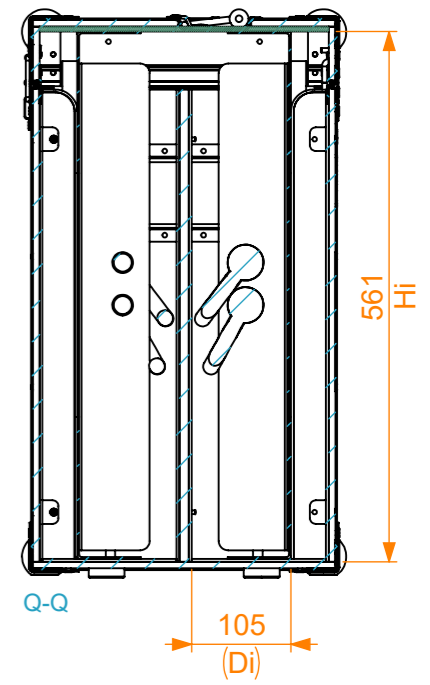
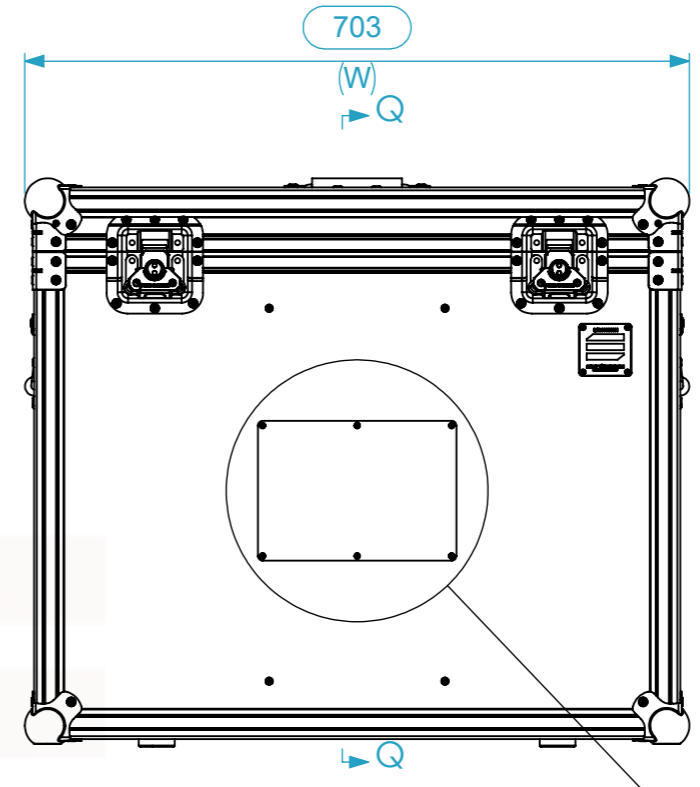
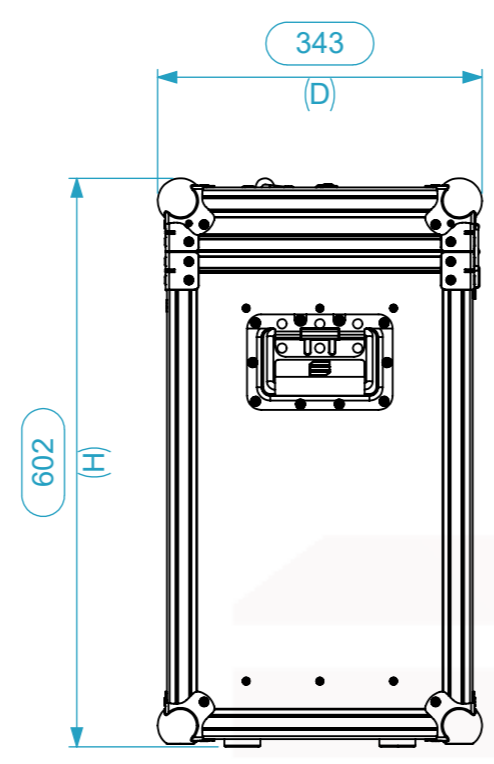
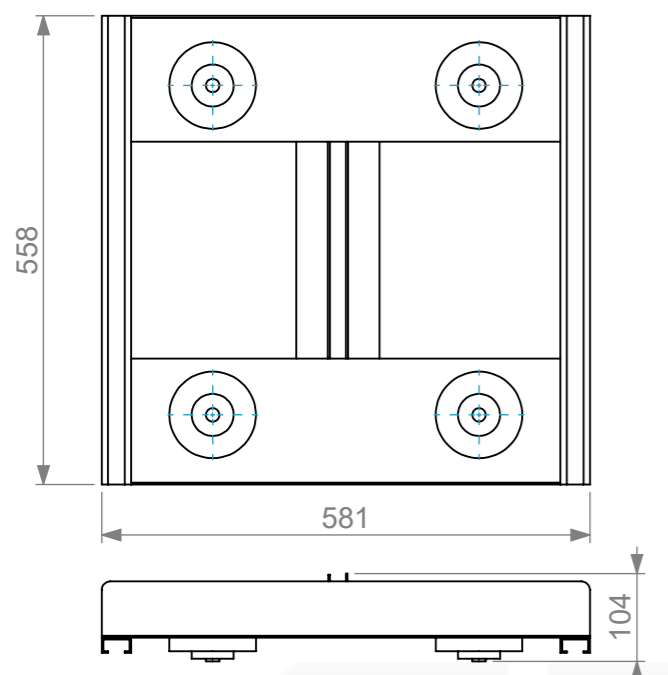


Equipment		
L-Acoustics Bumper L2		
Width	Depth	Height
581	558	104
Internal Dimensions		
Width	Depth	Height
586	105	558
Weight	Approx. 17 Kg	



General External Dimensions	
W	Width
D	Depth
H	Height
Usable Inner Dimensions	
Wi	Inside Width
Di	Inside Depth
Hi	Inside Height

Name	tiago.pais	Date	30/04/2026
Reference	AF1.SFLS2.04		
Scale	1:8	units in mm	general tolerance 0.8mm
Flight Case, 4x Norton SFLS2			



This drawing must not be copied or disclosed without consent of the owner



A3