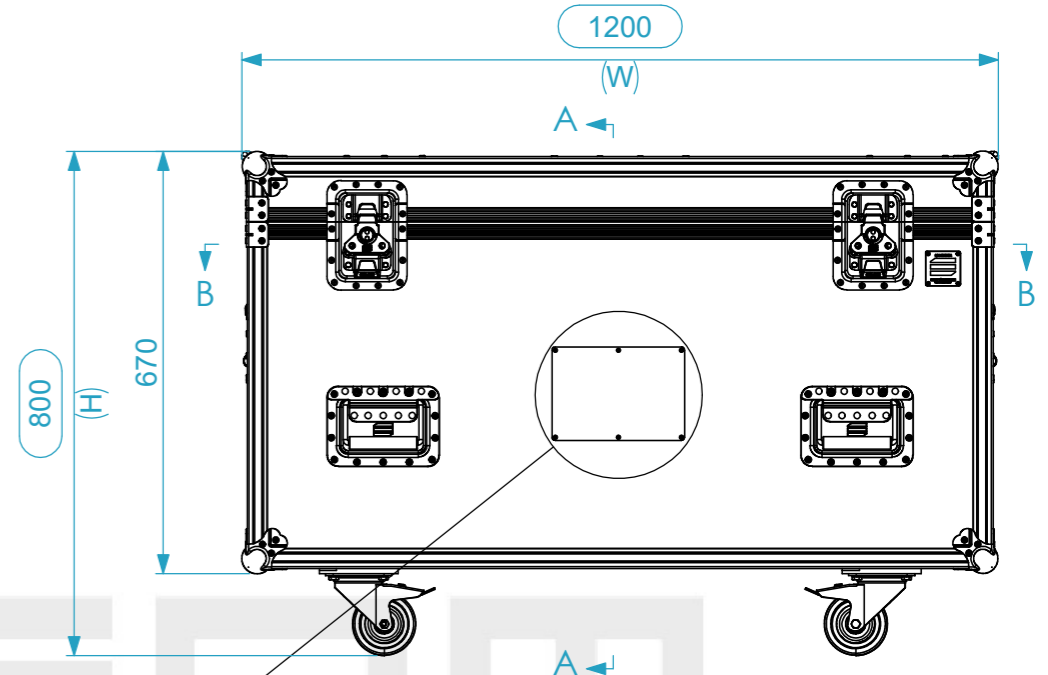
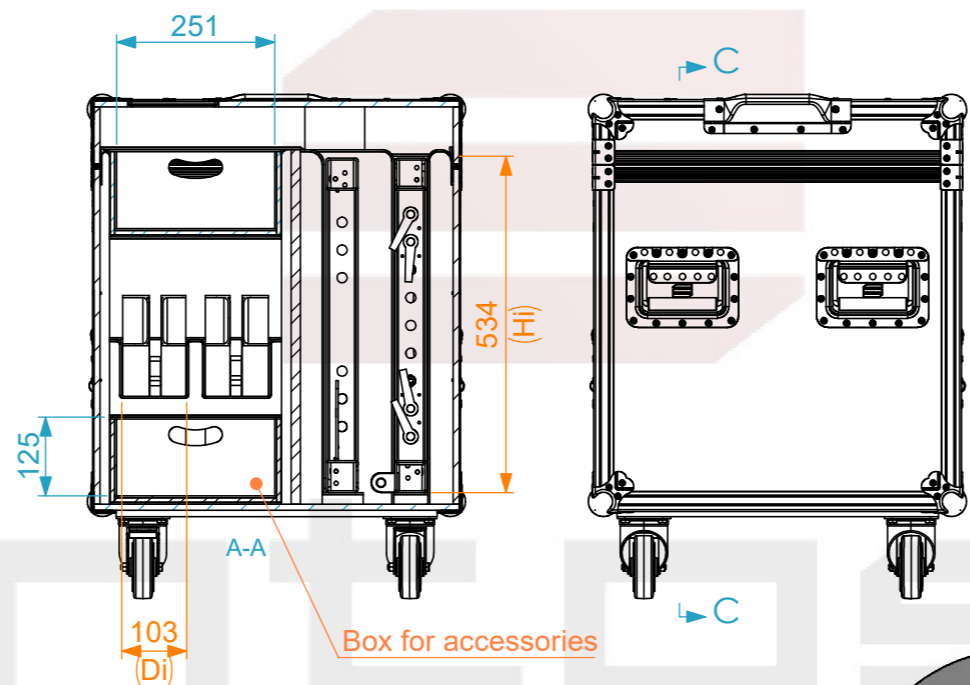
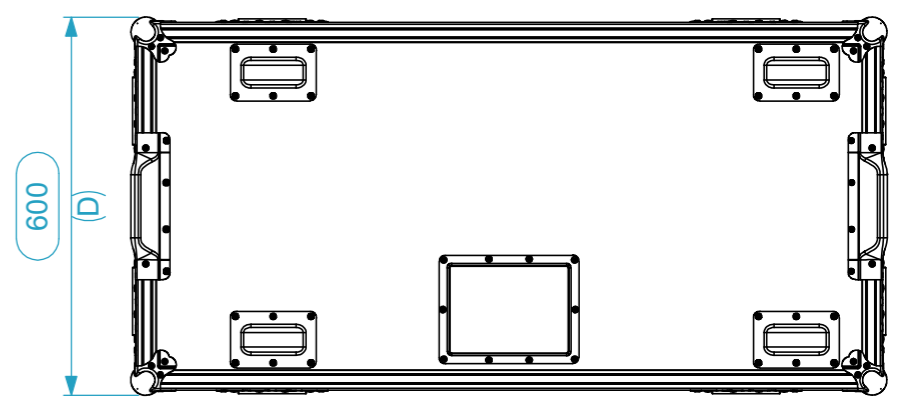
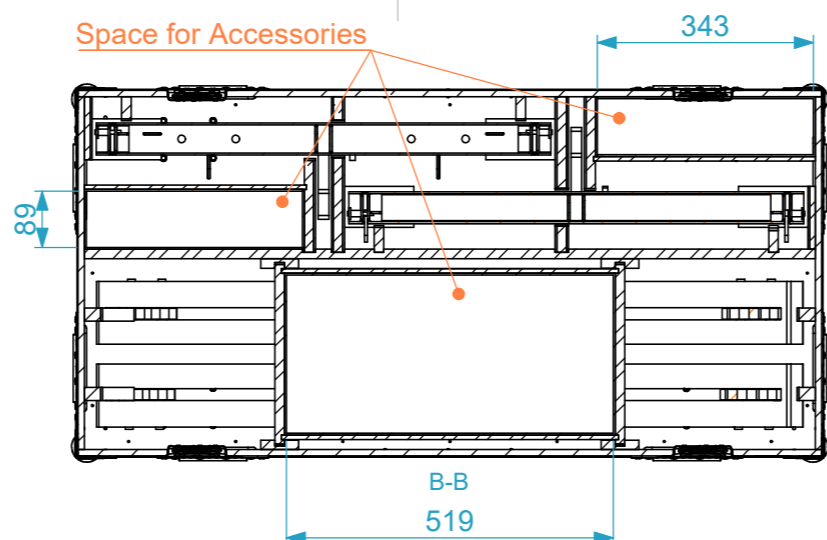
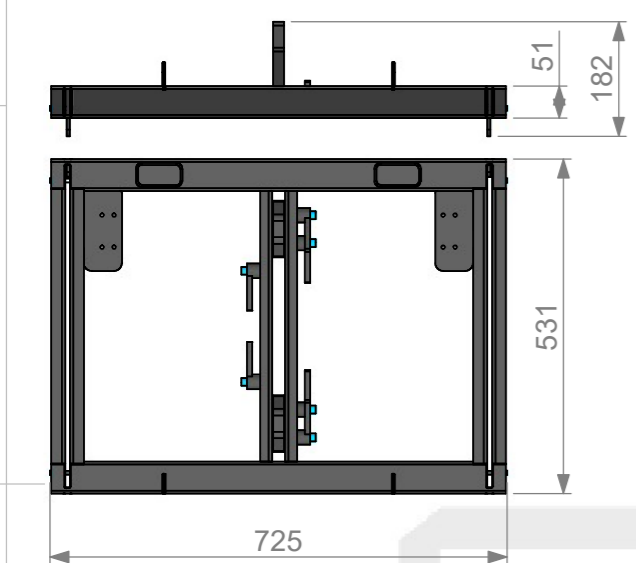
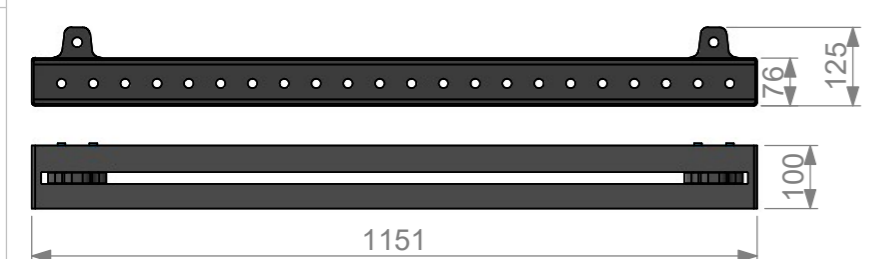
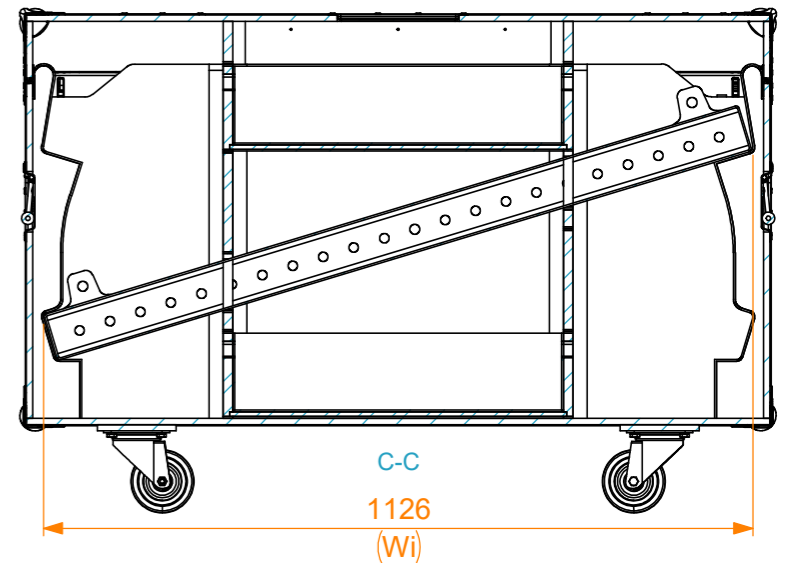
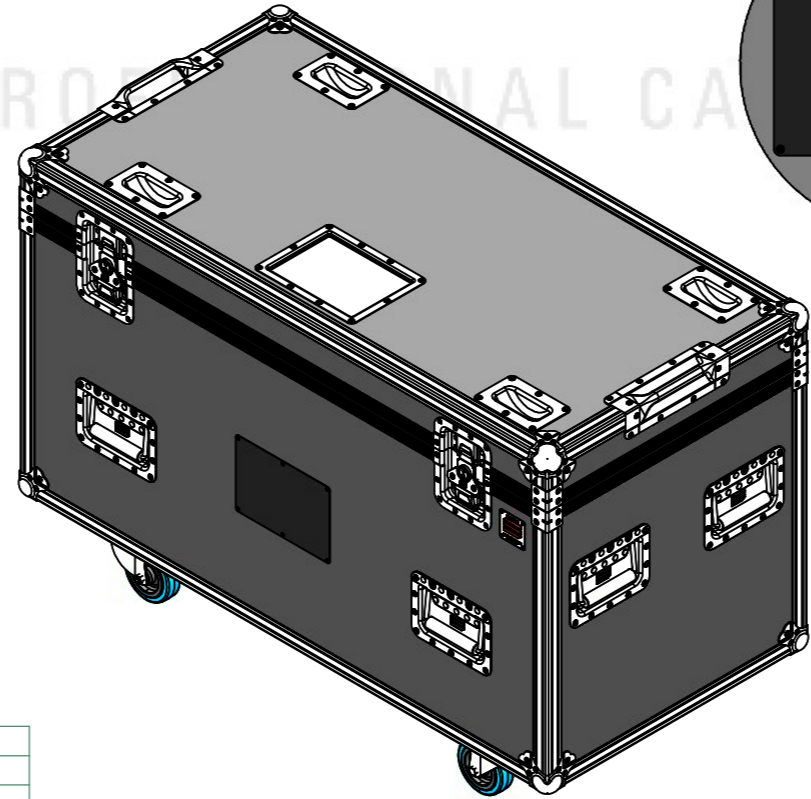
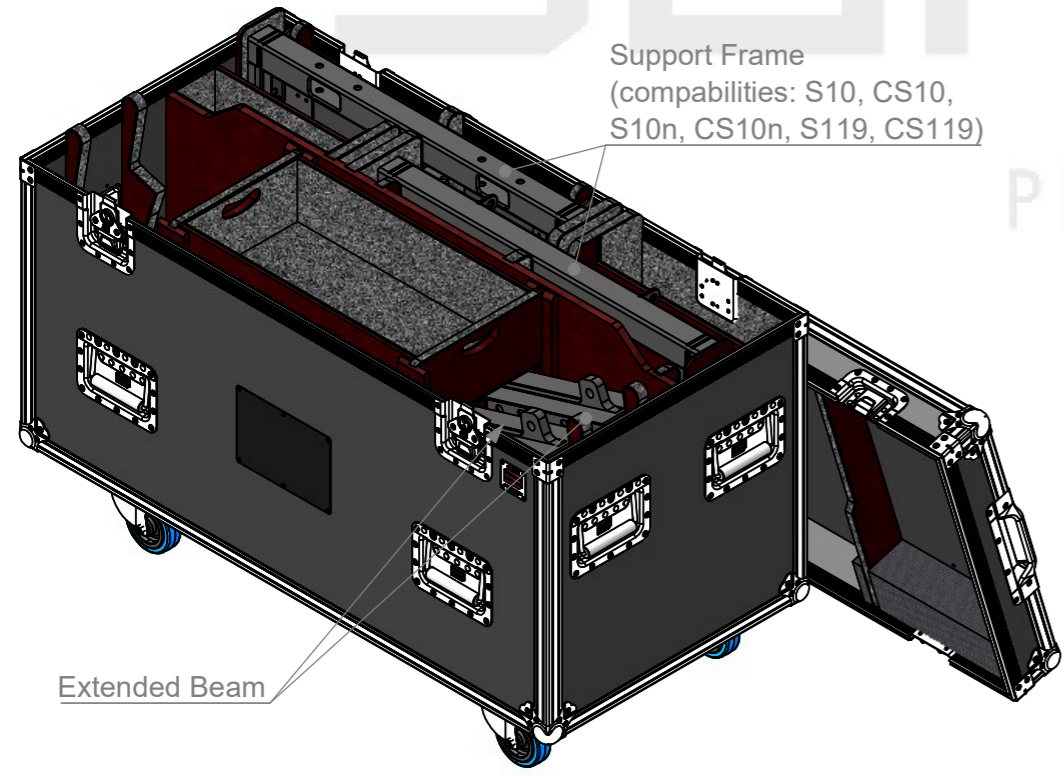


Equipment	ADAMSON Frame + Extended Beam	
Internal Dimensions		
Width	Depth	Height
1126	103	534
Weight	Approx. 69 Kg	
Wall Thickness		10mm



Support Frame
(compatibilities: S10, CS10, S10n, CS10n, S119, CS119)



General External Dimensions		Usable Inner Dimensions		Wood Inner Dimensions	
W	Width	Wi	Inside Width	WWi	Wood Inside Width
D	Depth	Di	Inside Depth	WDi	Wood Inside Depth
H	Height	Hi	Inside Height	WHi	Wood Inside Height

Name	Date
Drawn by: catarina.silva	03/01/2025
Reference	AF1.ADSS10.02
Scale	1:12
units in mm	general tolerance 0.8mm
DO NOT SCALE	
1st Angle projection	
Fight case PRO, Adamson 2x Frame + 2x Extended Beam	



A3 This drawing must not be copied or disclosed without consent of the owner