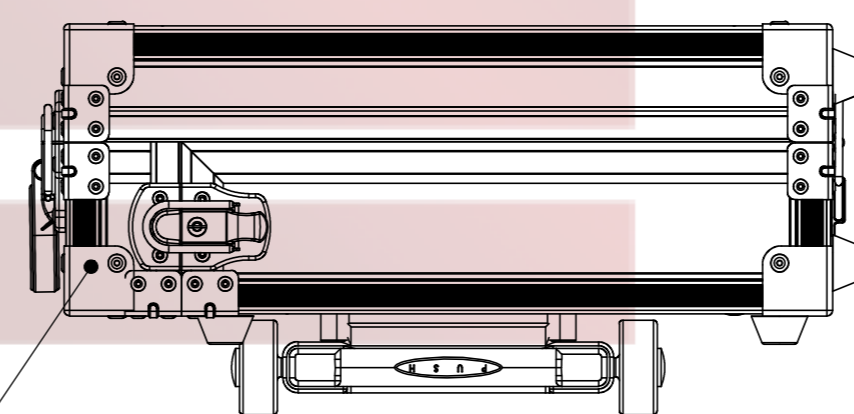
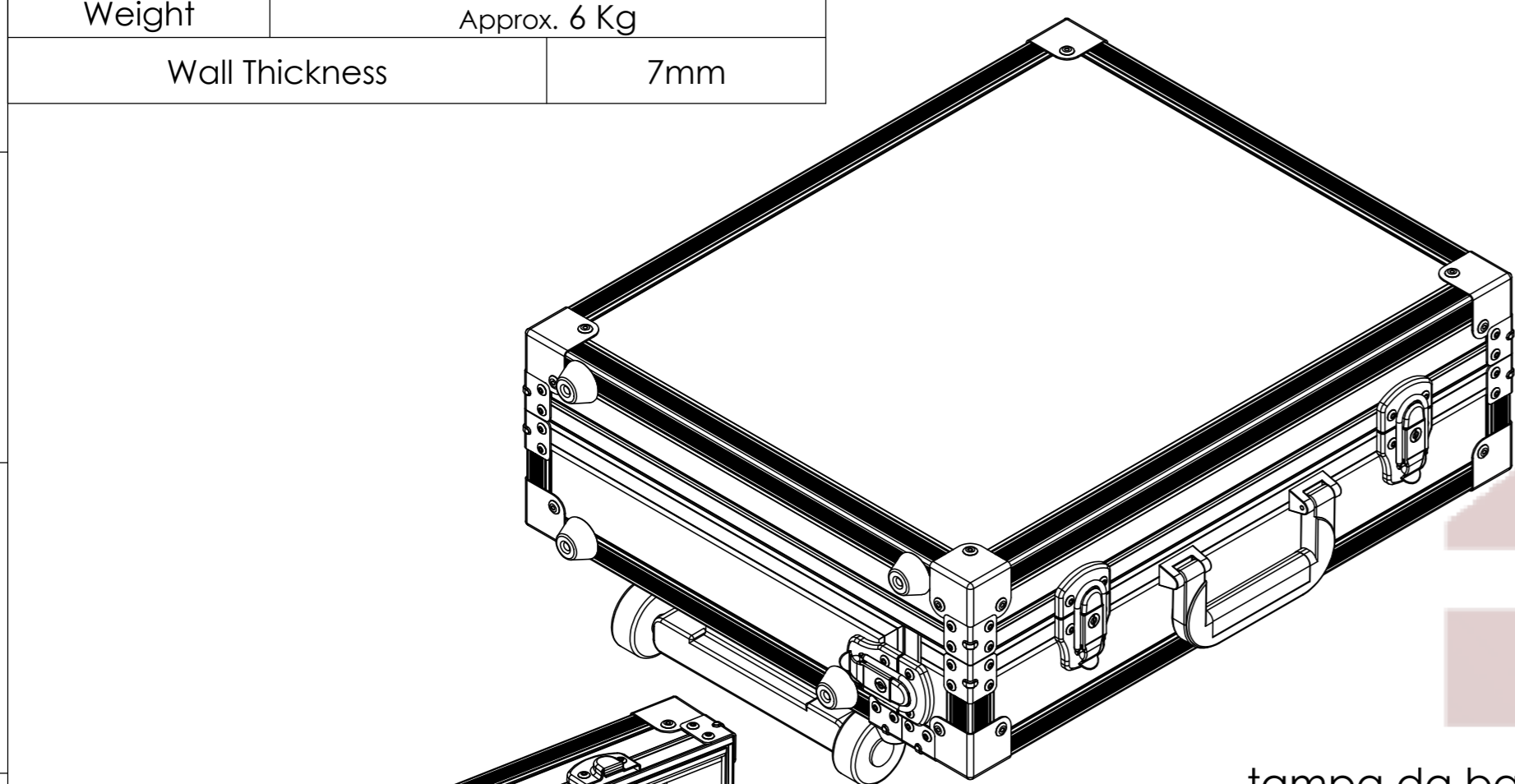
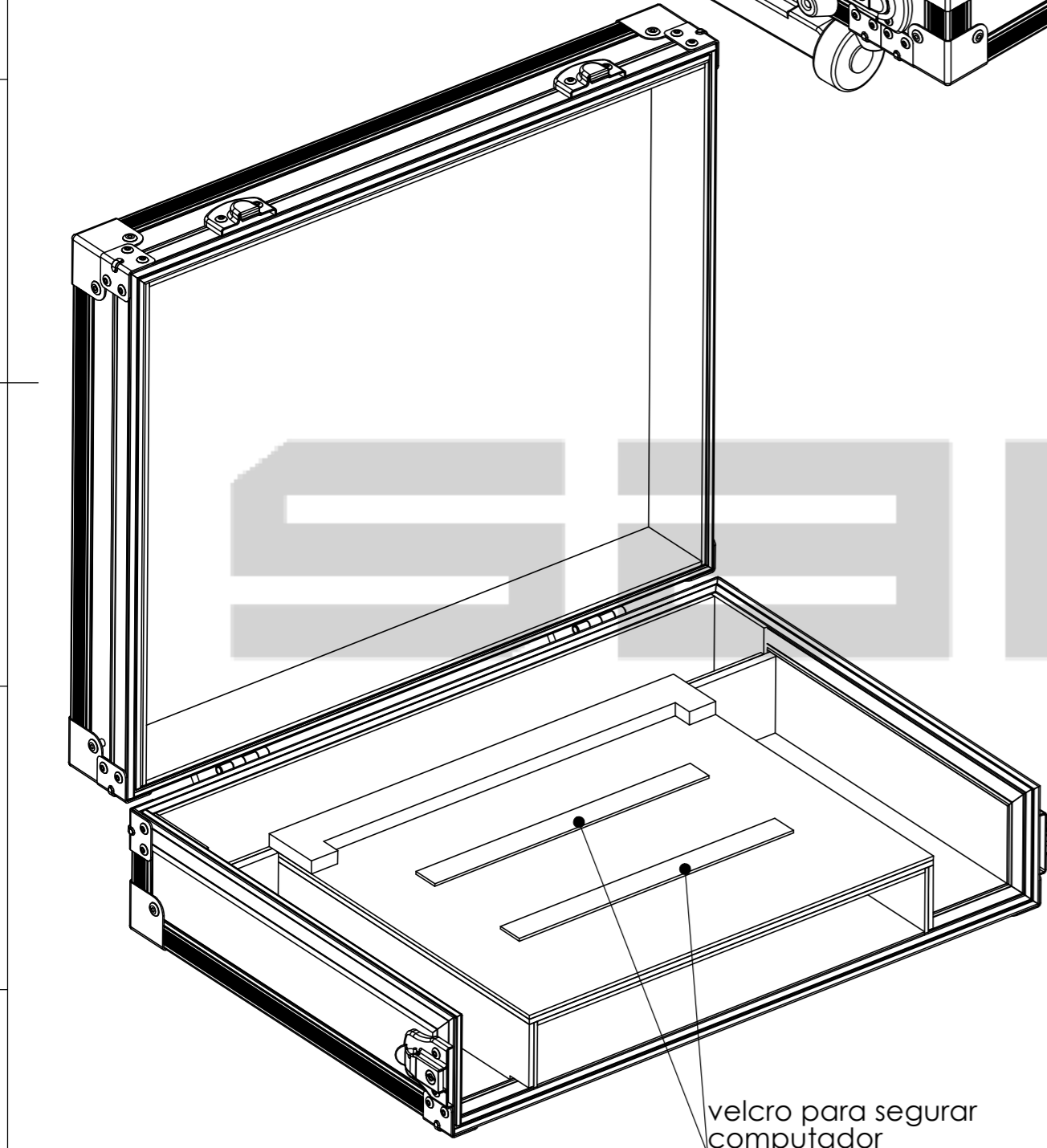


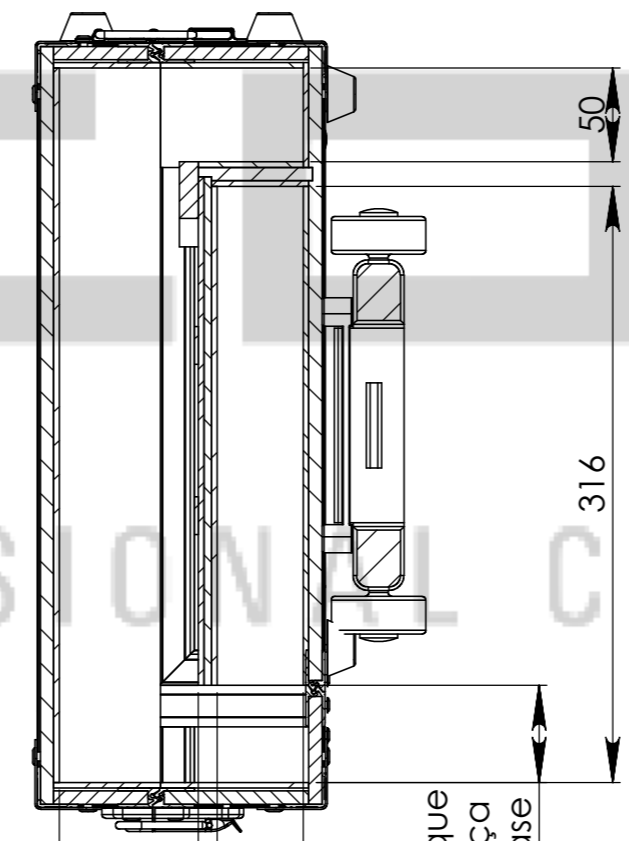
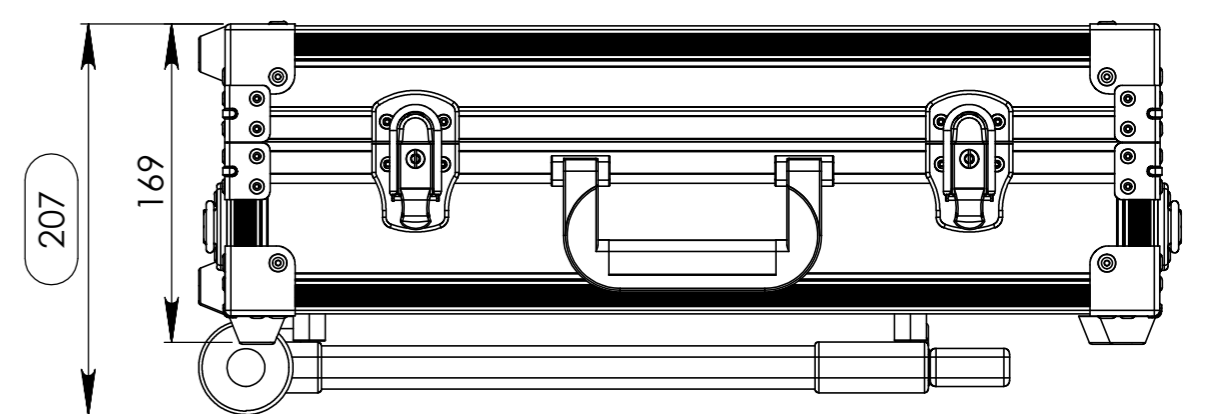
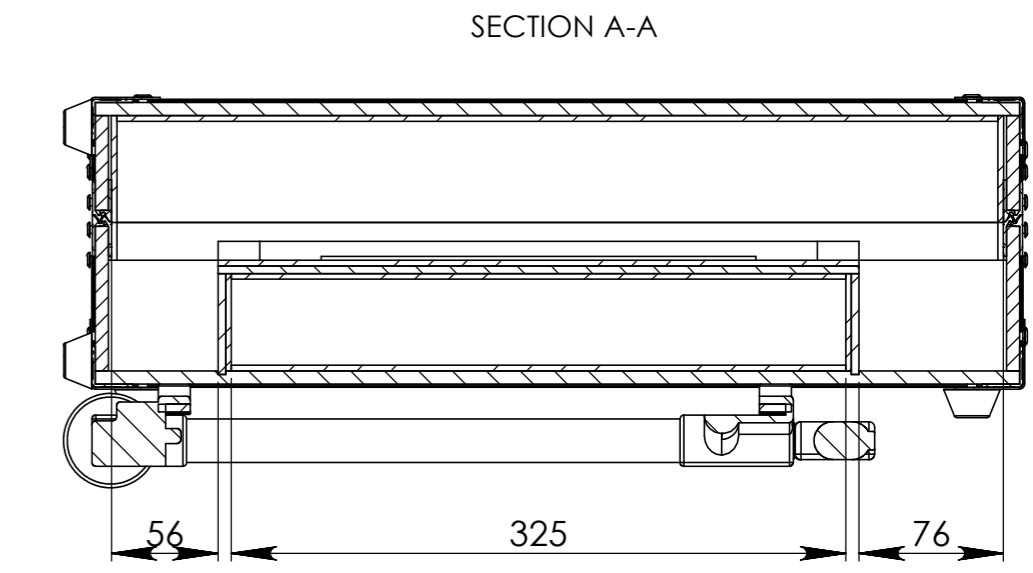
Interior dimensions		
Width	Depth	Height
325	316	46
Weight	Approx. 6 Kg	
Wall Thickness	7mm	



tampa da base de retirar



velcro para segurar computador

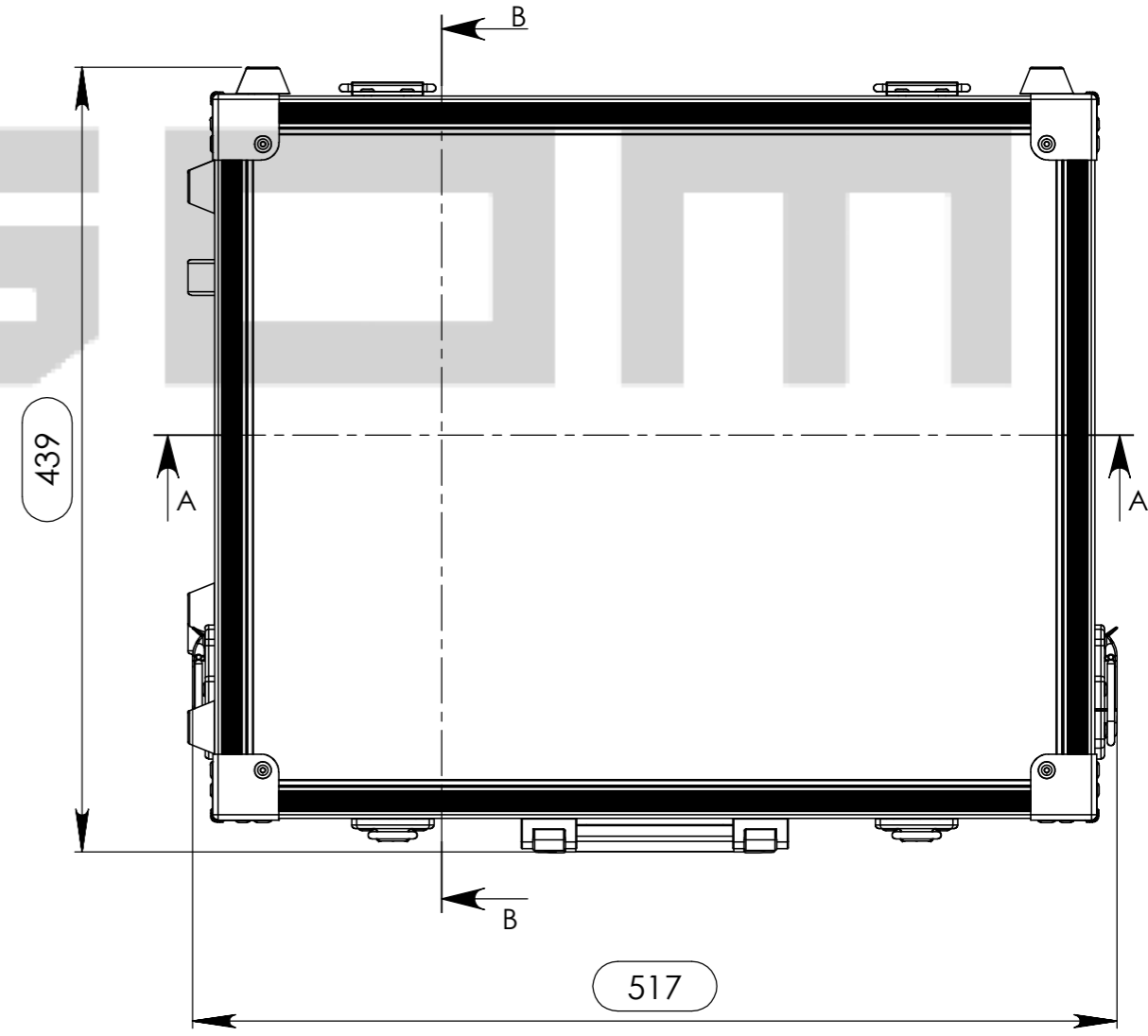


74
40mm para portatil
+34mm para sacos

46
altura para balança

52
medida que
a balança
sai da base

SECTION B-B



Hardware	
Qty	Description
1	Chrome plated plastic with soft black plastic insert
2	Heavy Duty Strut Hinge, zinc plated
4	Heavy drawbolt with lock chrome
1	Removable Case Trolley
12	Rubber foot 30 x 15mm, black
8	Square Case Corner

This drawing must not be copied or disclosed without consent of the owner 	Drawn by DaniellLopes	Date 17-02-2014	 PIM T551723 1:1/1	
	Reference 995.002	Scale 1:4		
	TOLERANCES UNLESS OTHERWISE SPECIFIED DO NOT SCALE general tolerances 0.08mm			

FC, Equipamento médico