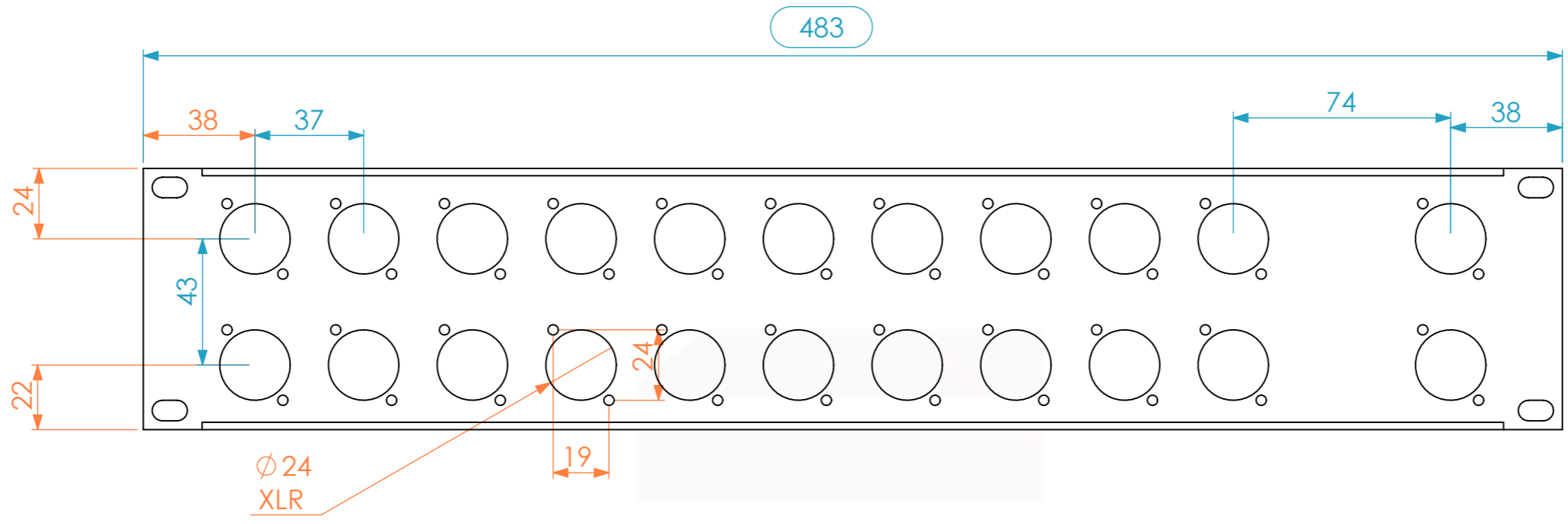
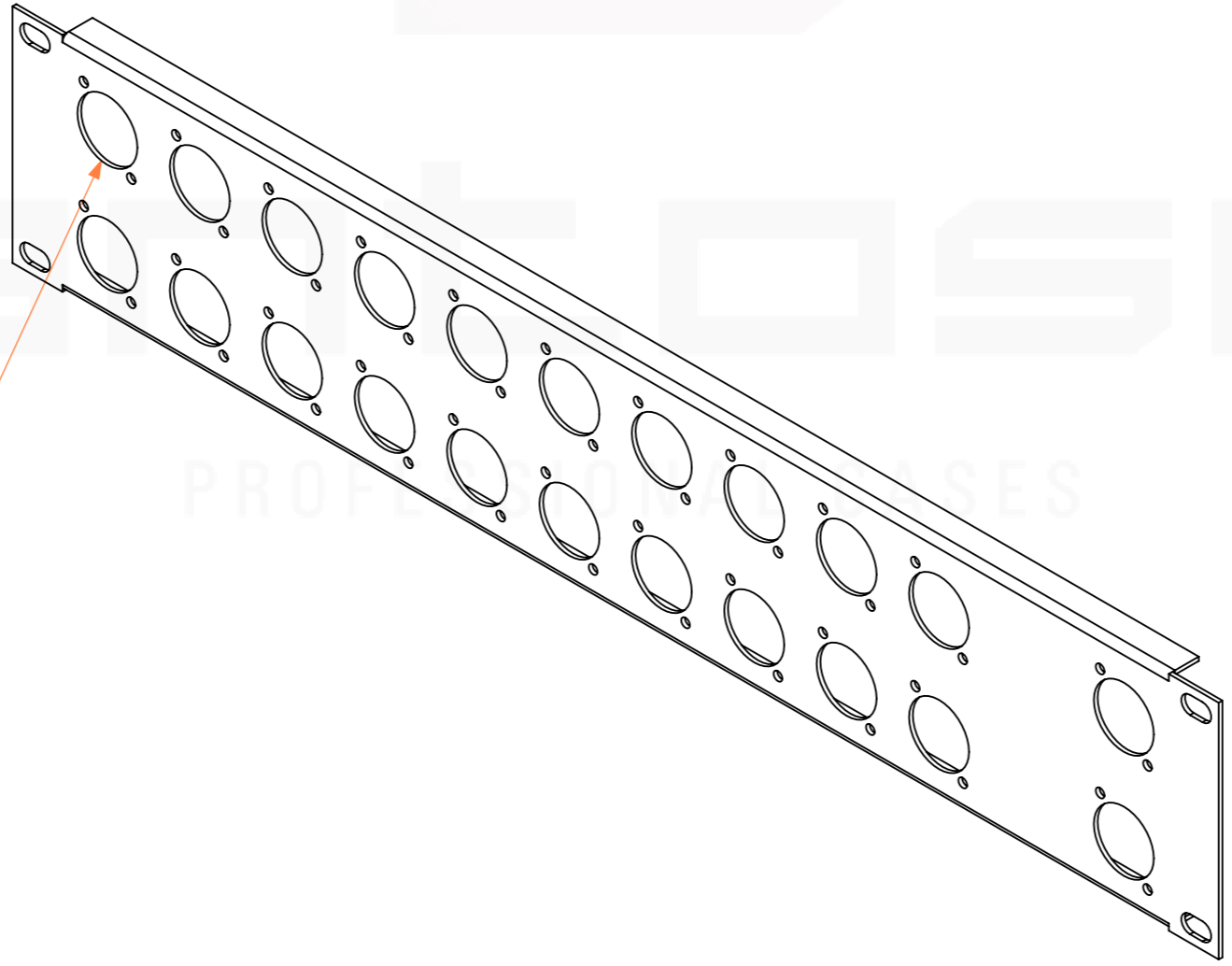


Weight	Approx. 0.04 Kg
19" Panels	2U



Ø24
XLR

22x Cutouts D-Series
Connectors: 20+2



Hardware		
Qty	Ref.	Description
1	87222	19" U-shaped Rack Panel 2 U aluminium

Name	CarlaSilva	Date	03/08/2020
Reference	87222.22		
Scale	1:2	units in mm	DO NOT SCALE
general tolerance	0.8mm		
19" RKP, 2U 22 D-SERIES			

This drawing must not be copied or disclosed without consent of the owner

