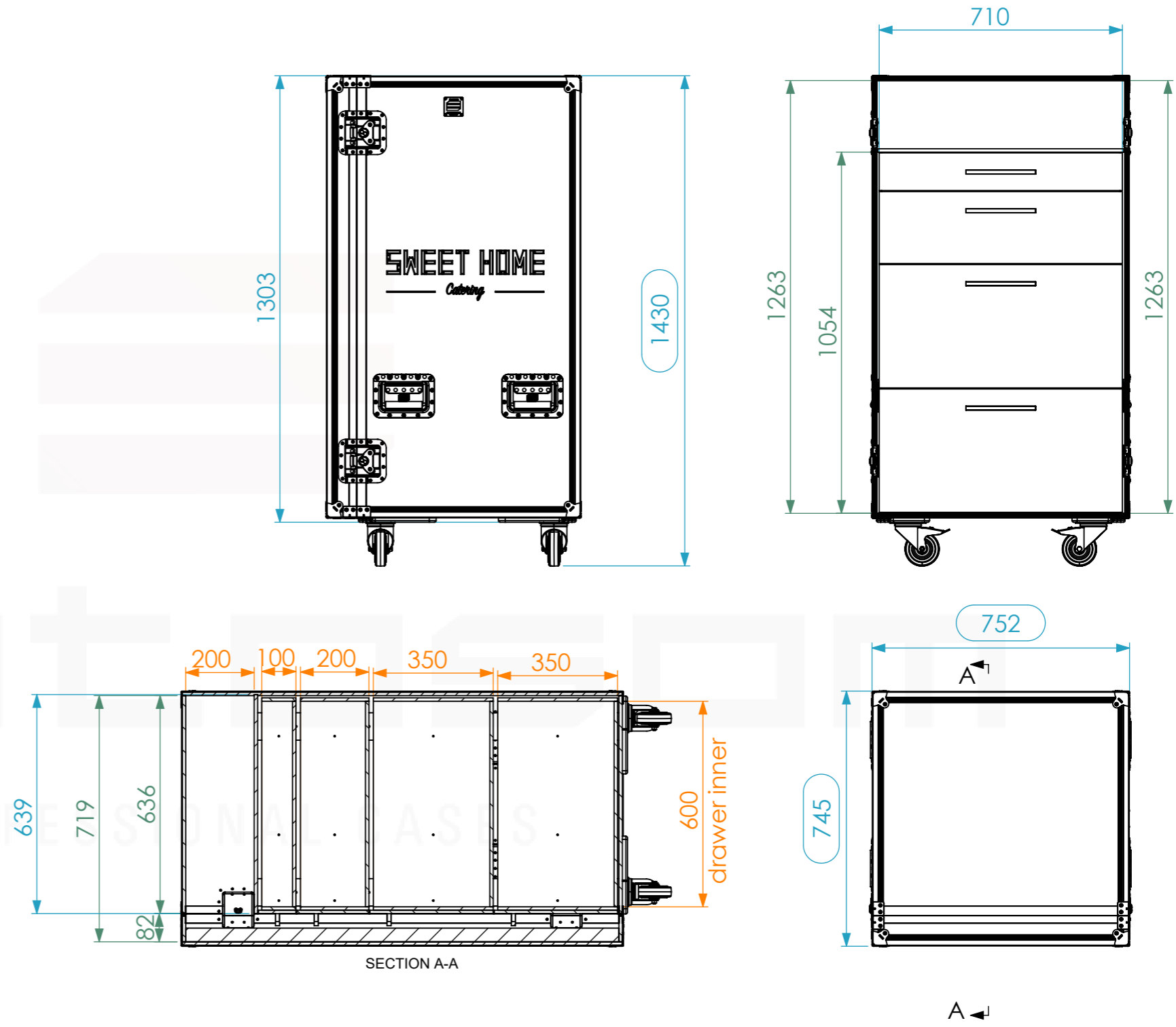
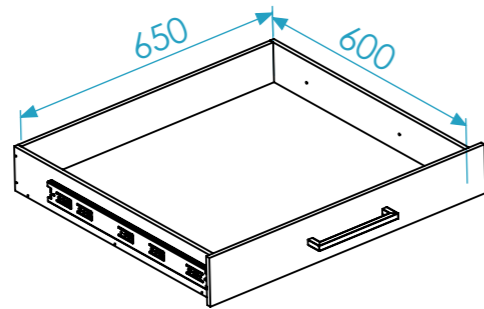
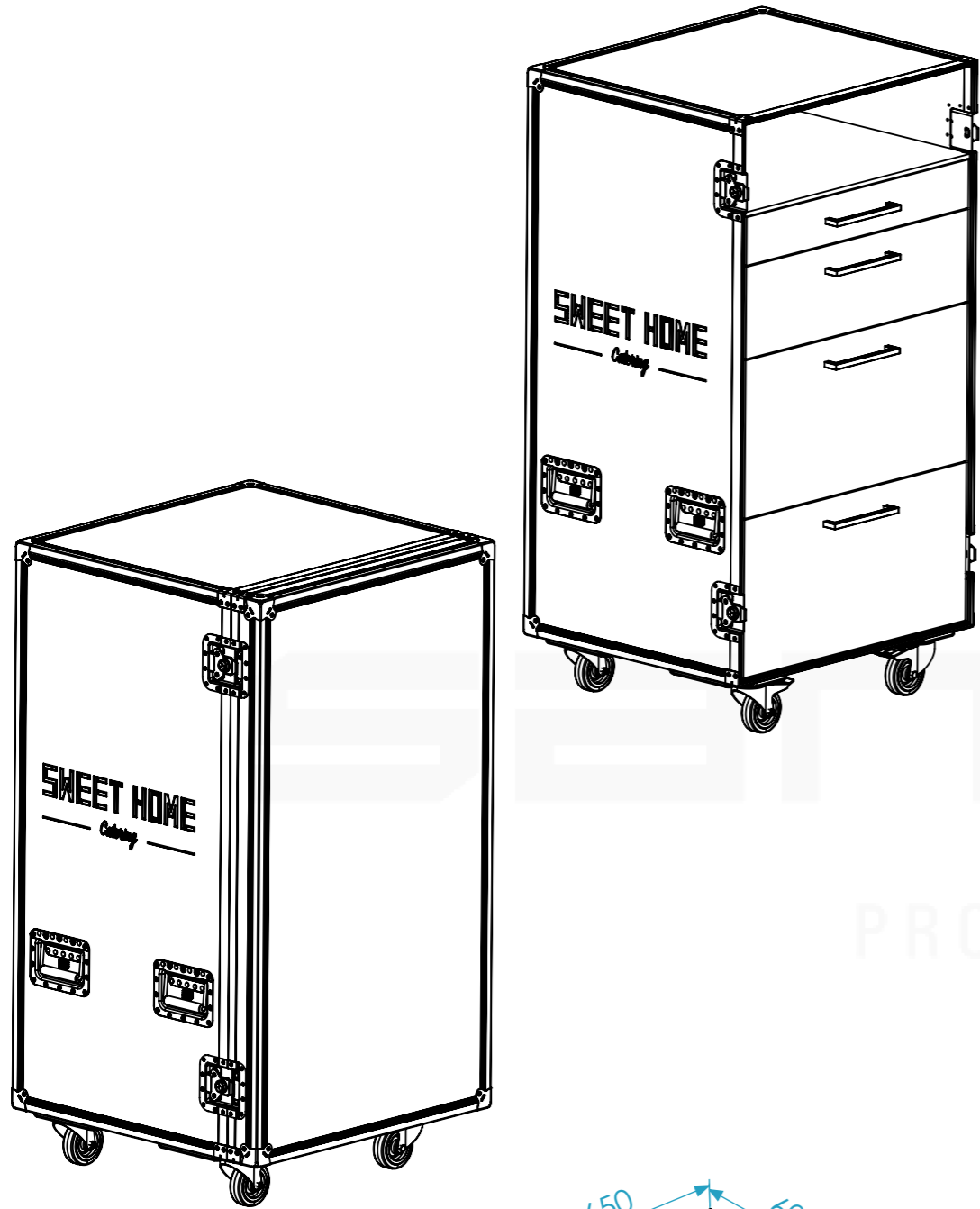


Internal Dimensions		
Width	Depth	Height
726	726	
Weight	Approx. 80 Kg	
Wall Thickness		10mm



General External Dimensions		Usable Inner Dimensions		Wood Inner Dimensions	
W	Width	Wi	Inside Width	WWi	Wood Inside Width
D	Depth	Di	Inside Depth	WDi	Wood Inside Depth
H	Height	Hi	Inside Height	WHi	Wood Inside Height

A3	This drawing must not be copied or disclosed without consent of the owner	Scale 1:15	units in mm DO NOT SCALE	general tolerance 0.8mm	Name	Date
					Drawn by CatarinaDuque	27-04-2018
		Reference	845.015			
		Scale	FC, 4 DRAWERS			

