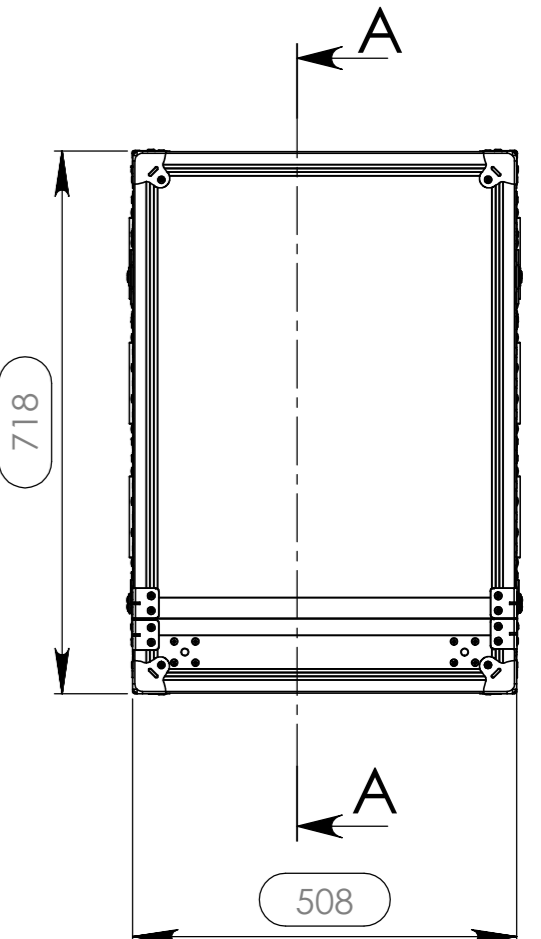
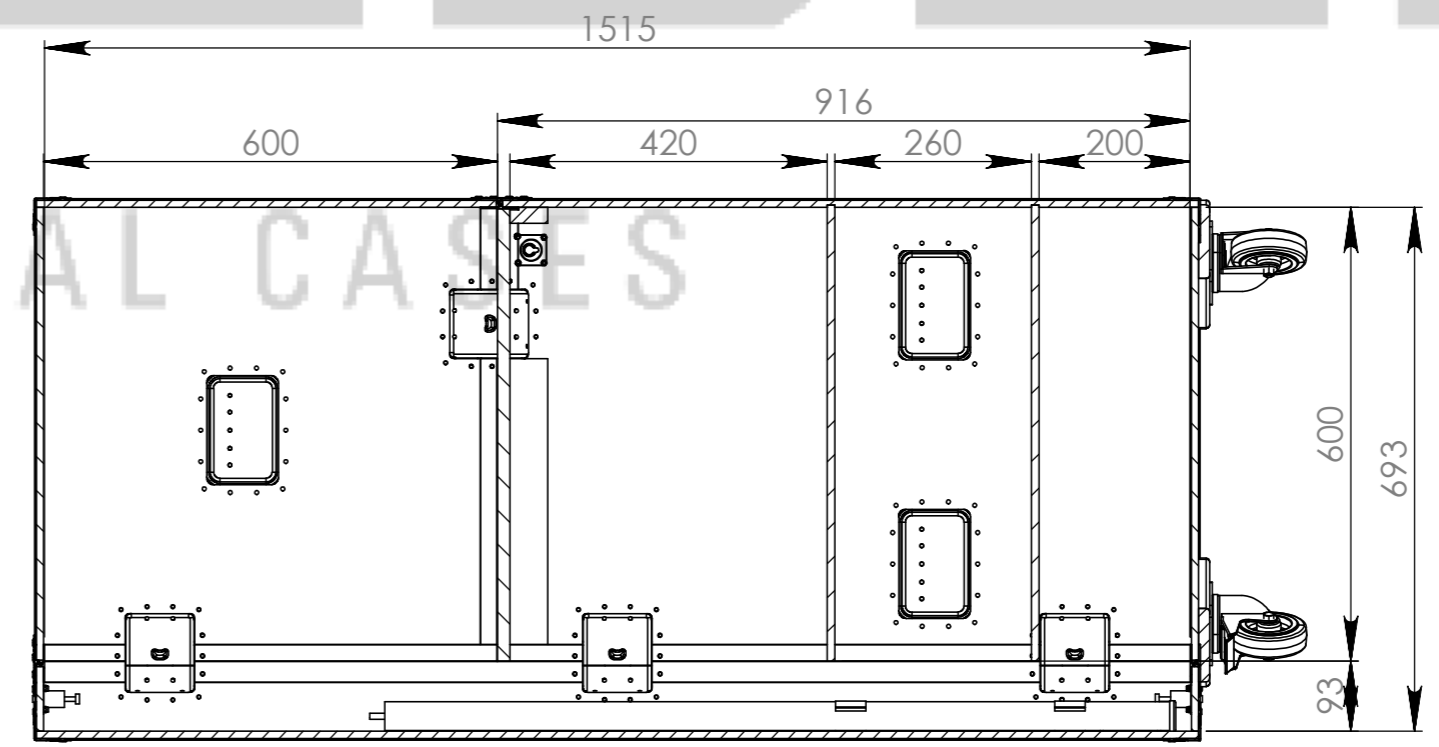
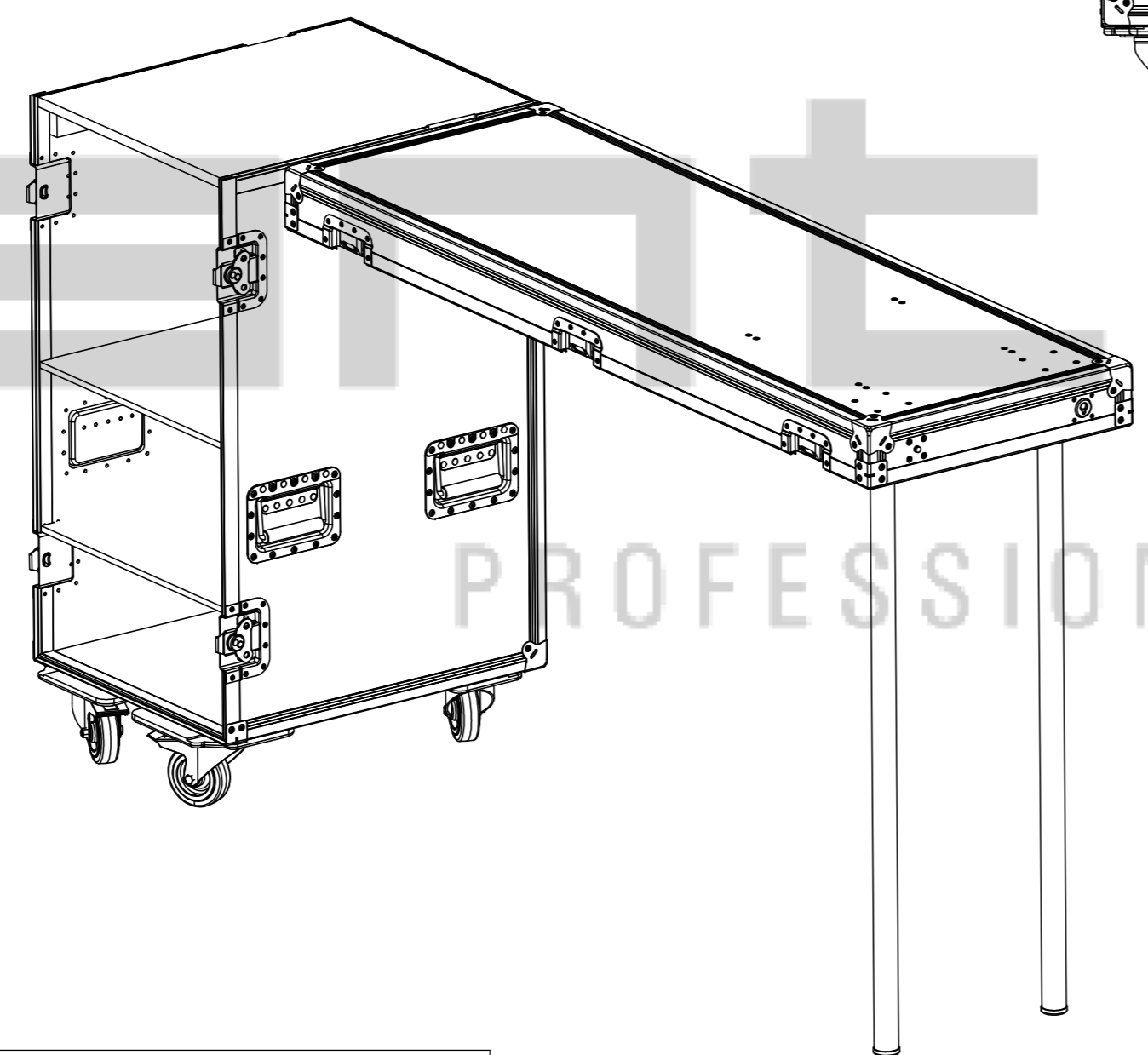
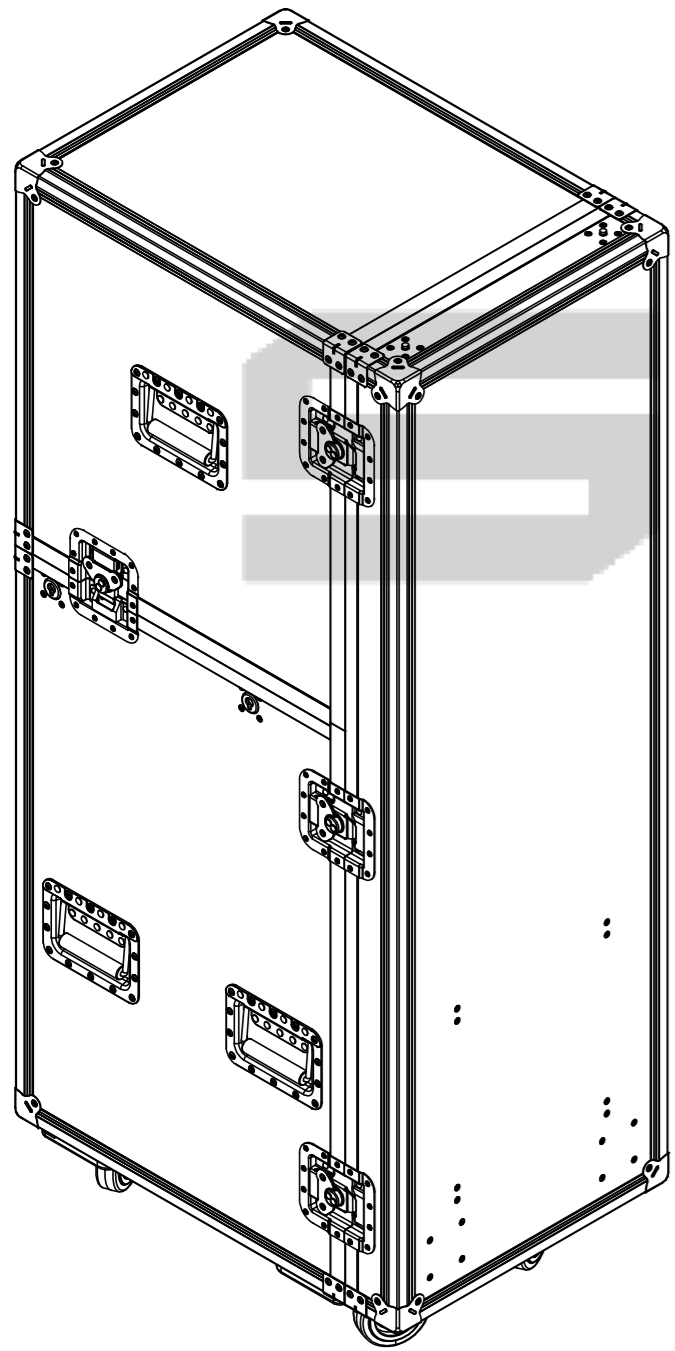
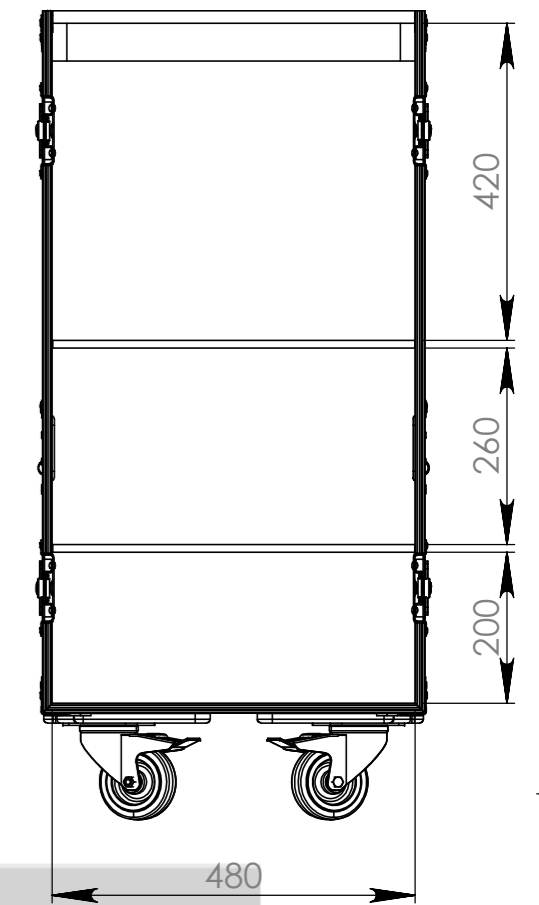
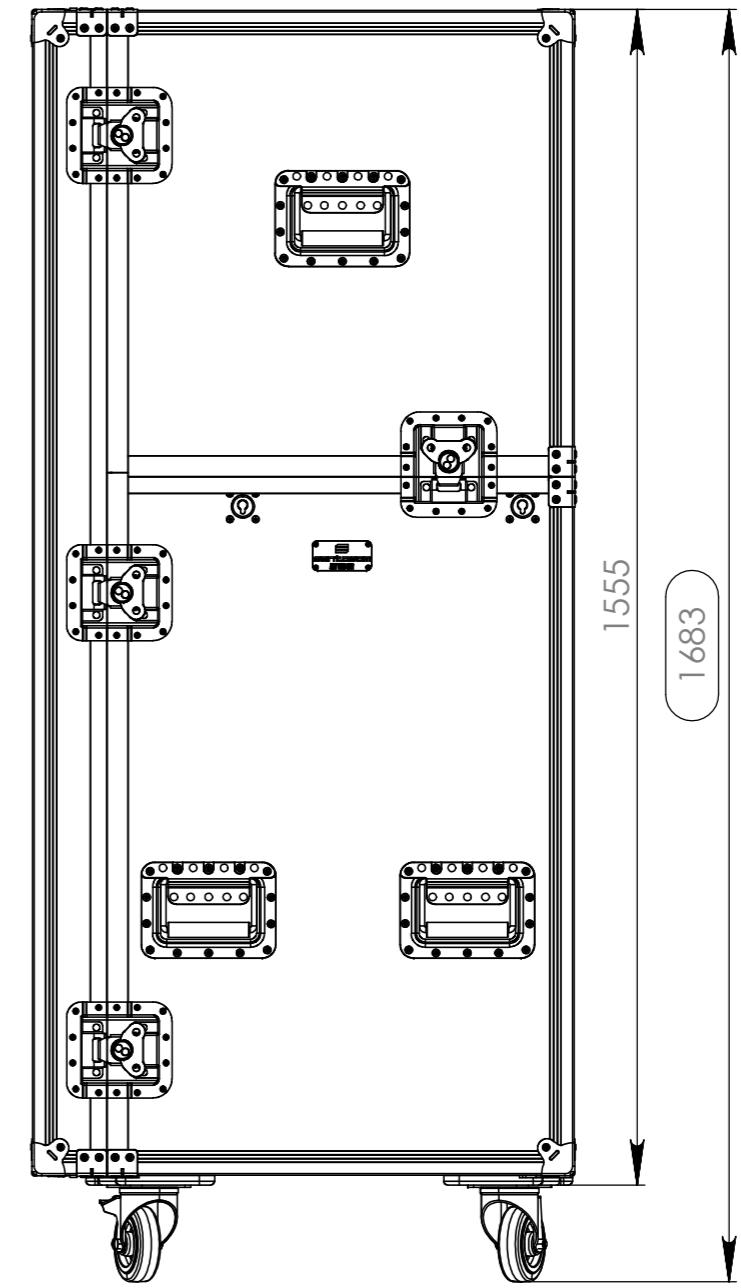
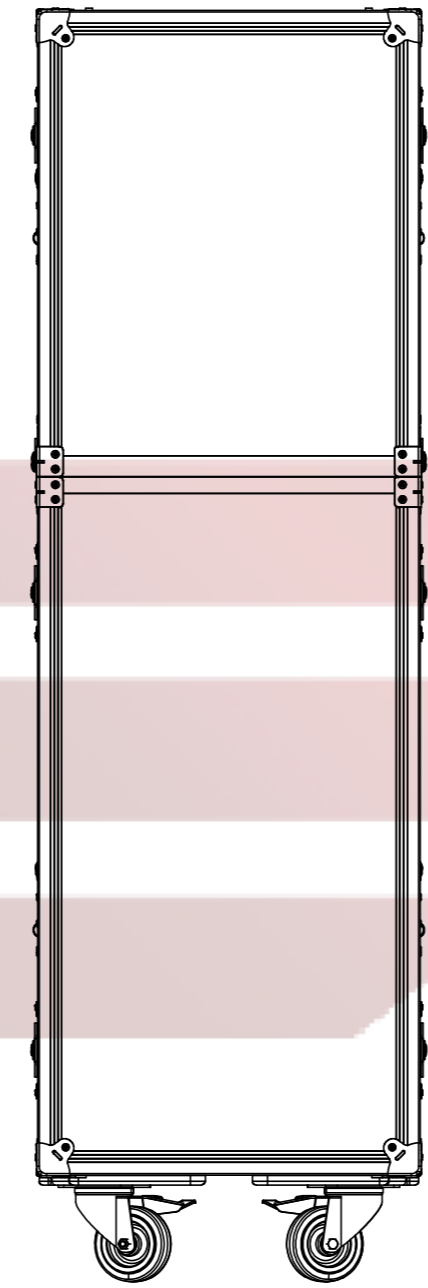
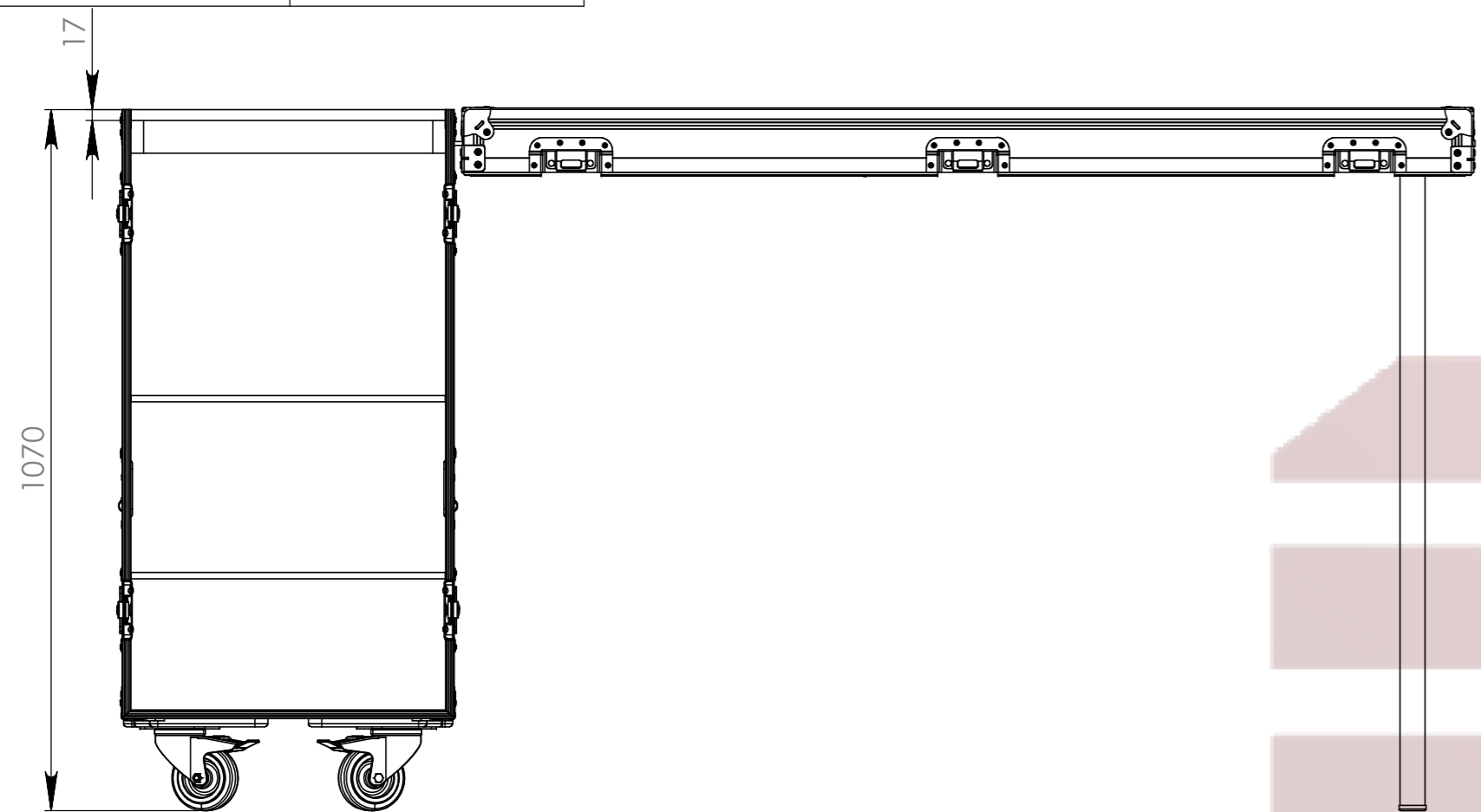


Interior dimensions

Width	Depth	Height
480	600	1515
Weight	Approx. 53 Kg	
Wall Thickness	9.5mm	

Revision Table				
Index	Rev.	Description	Date	Draw
-	0	Final Drawing	05/06/2013	Daniel Lopes



SECTION A-A

Hardware		
Qty	Ref.	Description
8	4004	Case corner zinc plated
12	40403	Large corner bracket f. 35mm case angle
6	34085	Large, heavy duty, recessed sprung handle
2	RODA.100T	Swivel castor Ø100 mm with brake
2	RODA.100	Swivel castor Ø100 mm
8	172531	Large butterfly V3 with 'push-back' function in 14mm dish

Drawn by	Daniel Lopes	Name	Daniel Lopes	Date	05-06-2013
Reference	845.008	Scale	1:10	general tolerance	±0.1mm

This drawing must not be copied or disclosed without consent of the owner

1st Angle projection

FC, BAR REGIE 2 ETAGERE ROULETTES