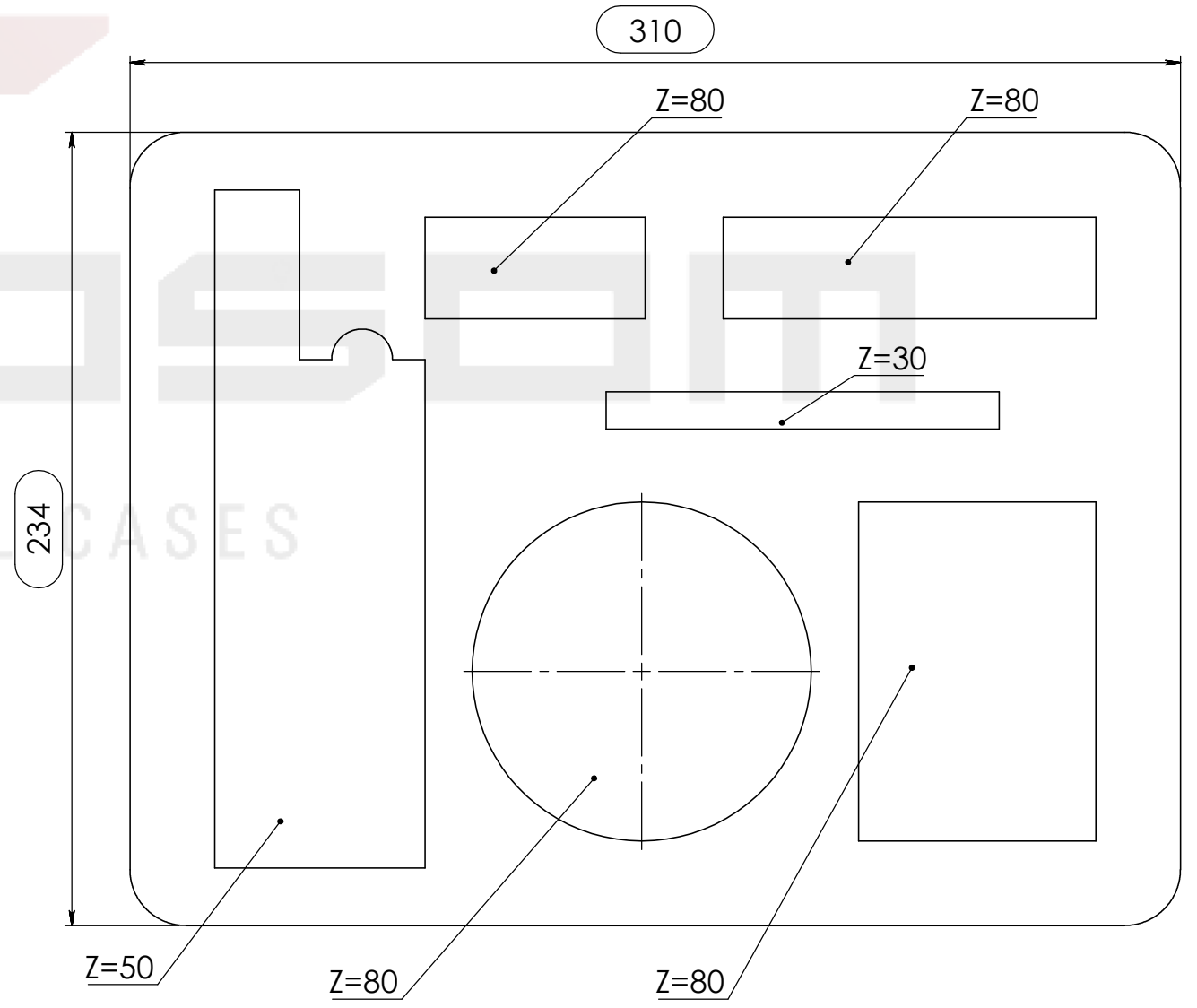
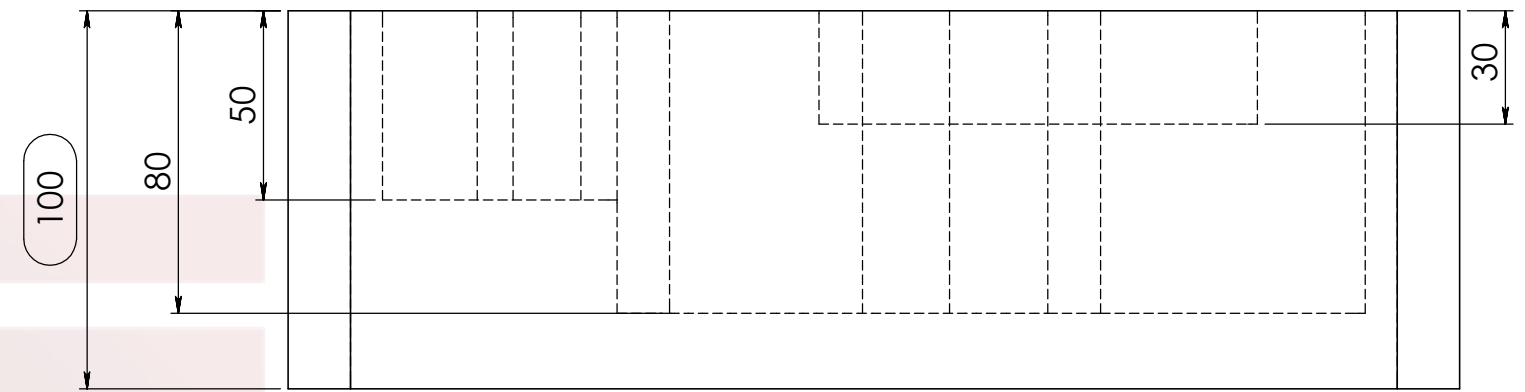
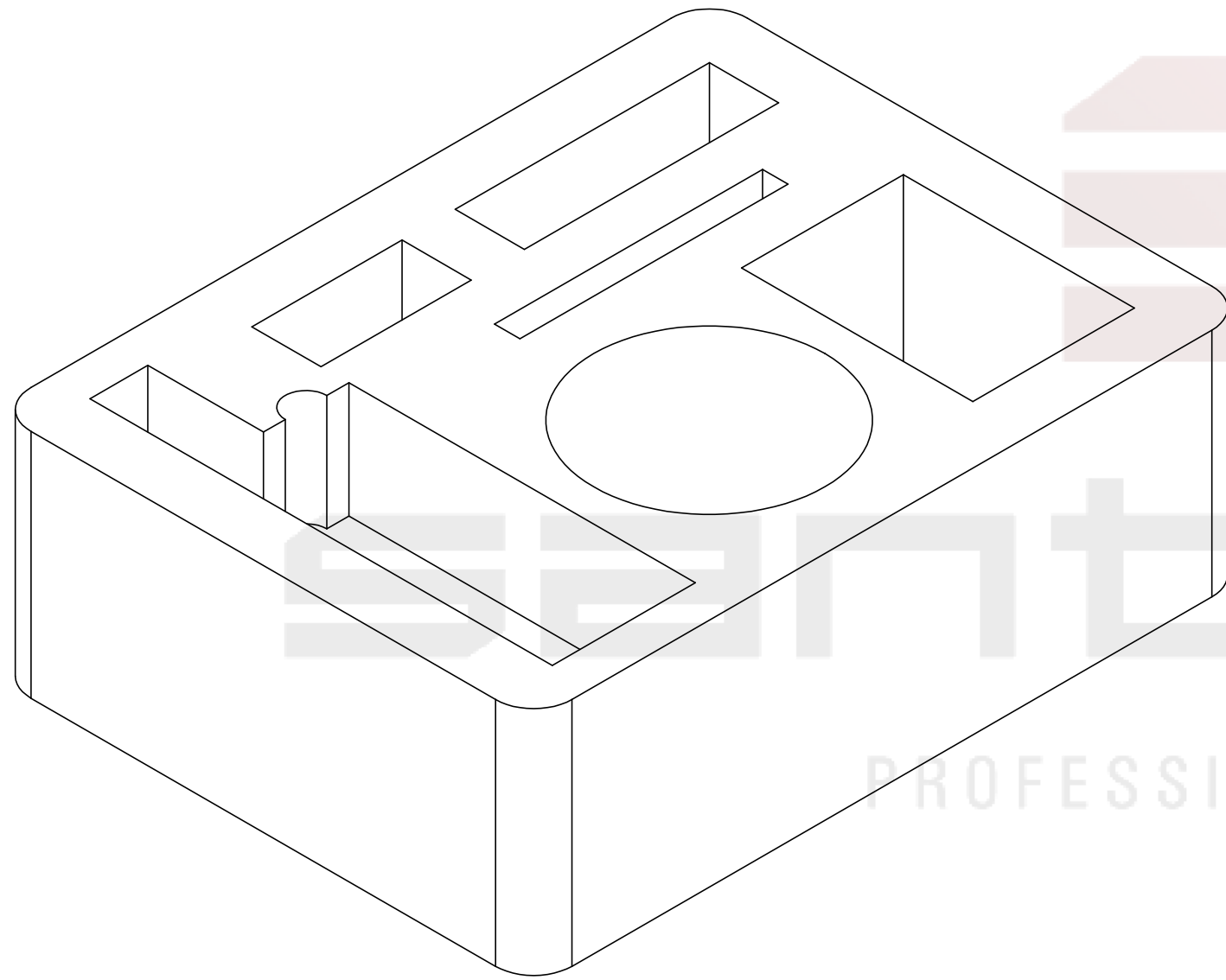


Revision Table				
Index	Rev.	Description	Date	Draw
-	-	Final Drawing	28/10/2014	Daniel Lopes



Name	Date
Drawn by: DanielLopes	28-10-2014
Reference	816.ED068
Scale	1:2
units in mm	general tolerance 0.8mm
DO NOT SCALE	
ESPUMA FRESADAS, PL-1400 IRIIDIUM EXTREME	



This drawing must not be copied or disclosed without consent of the owner



A3