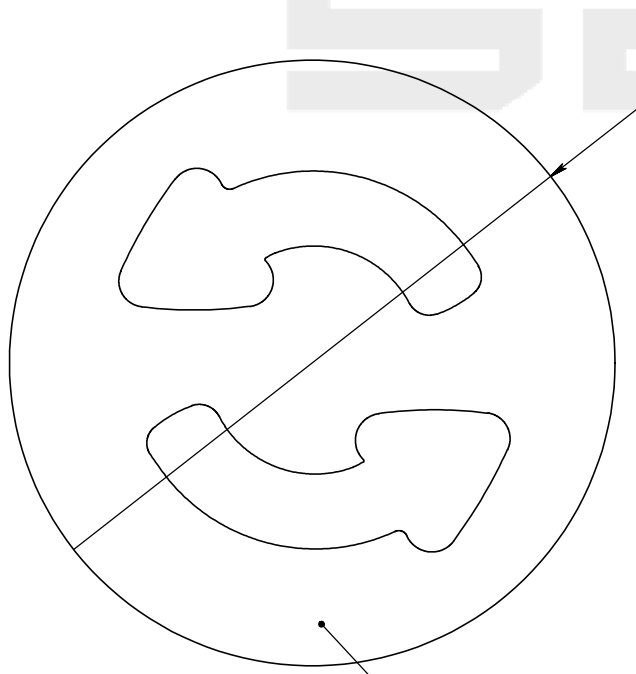
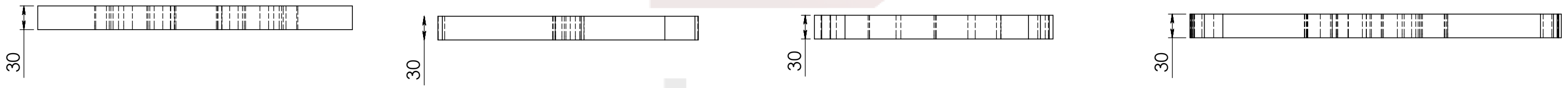
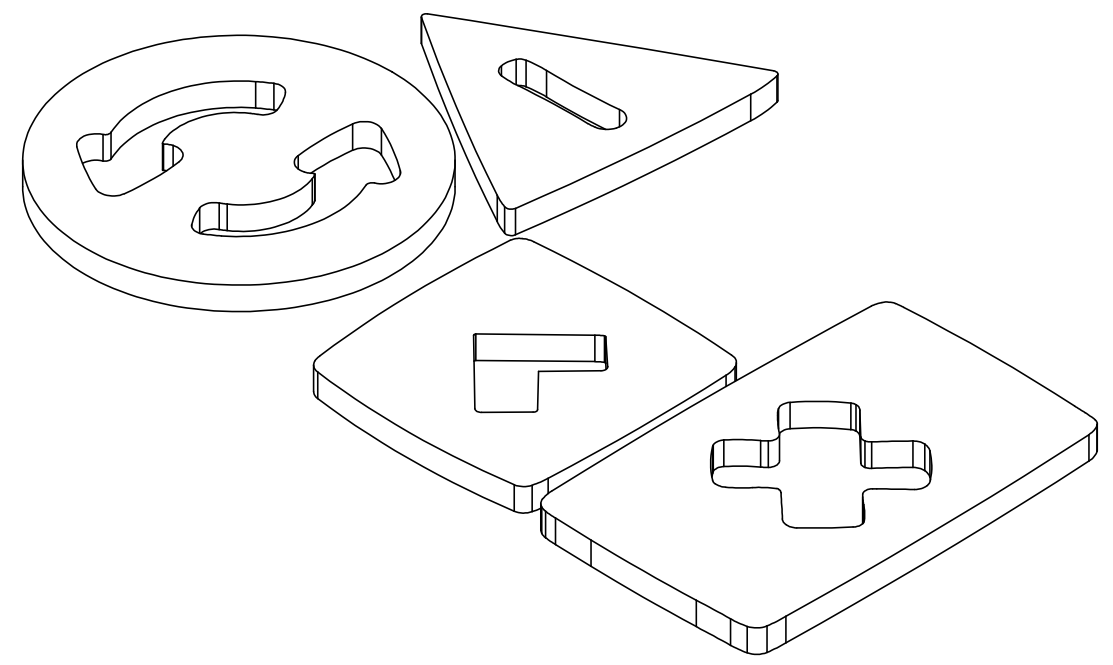
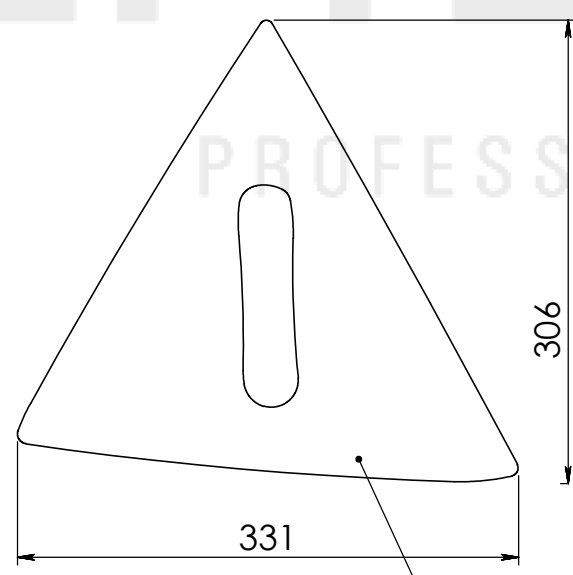


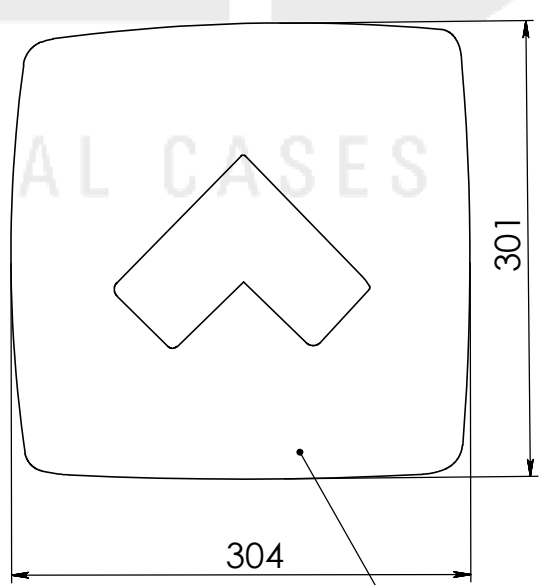
REVISIONS				
ZONE	REV.	DESCRIPTION	DATE	APPROVED
-	-	Final Drawing	29/05/2014	Daniel Lopes



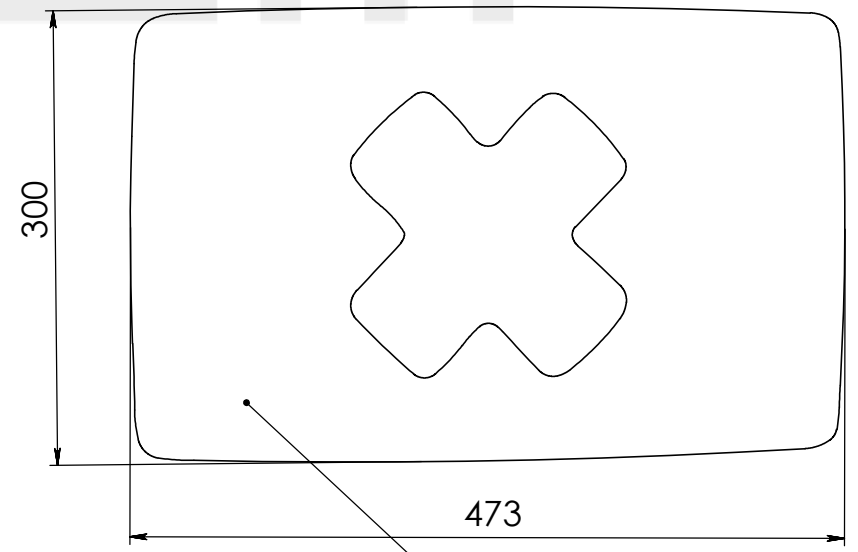
x 4 UNIDADES



x 4 UNIDADES



x 4 UNIDADES



x 4 UNIDADES

A3 This drawing must not be copied or disclosed without consent of the owner

Drawn by	DanielLopes	Date	29-05-2014
Reference	816.ED060		
Scale	1:5	units in mm	DO NOT SCALE
		general tolerance	0.8mm
1st Angle projection			
ESPUMA FRESADA JOGOS FORMAS 2000X1000X30			

