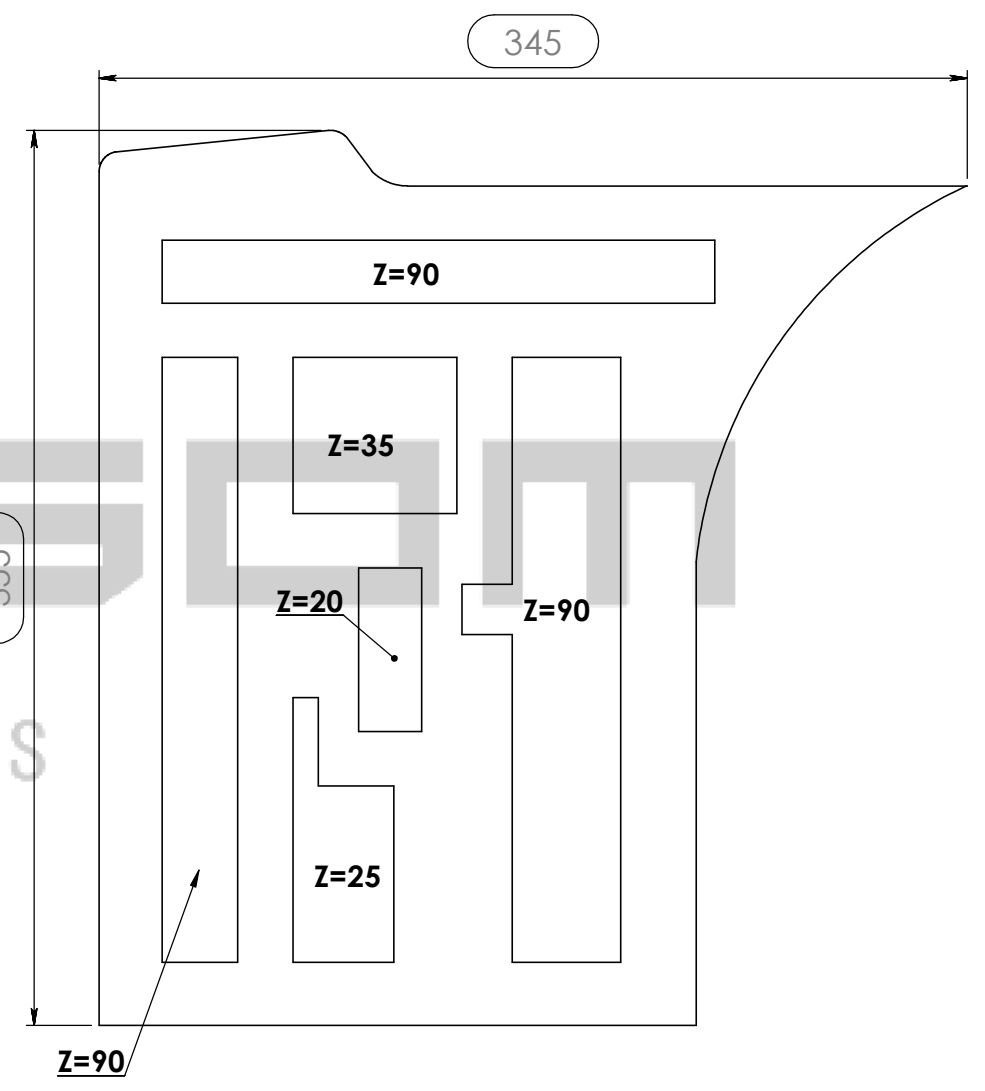
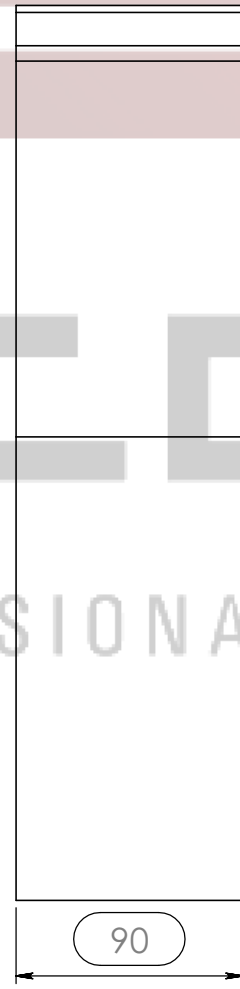
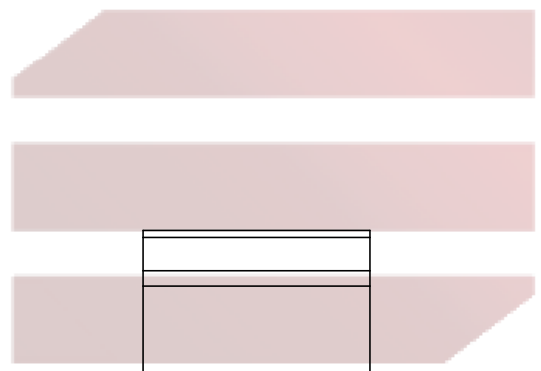
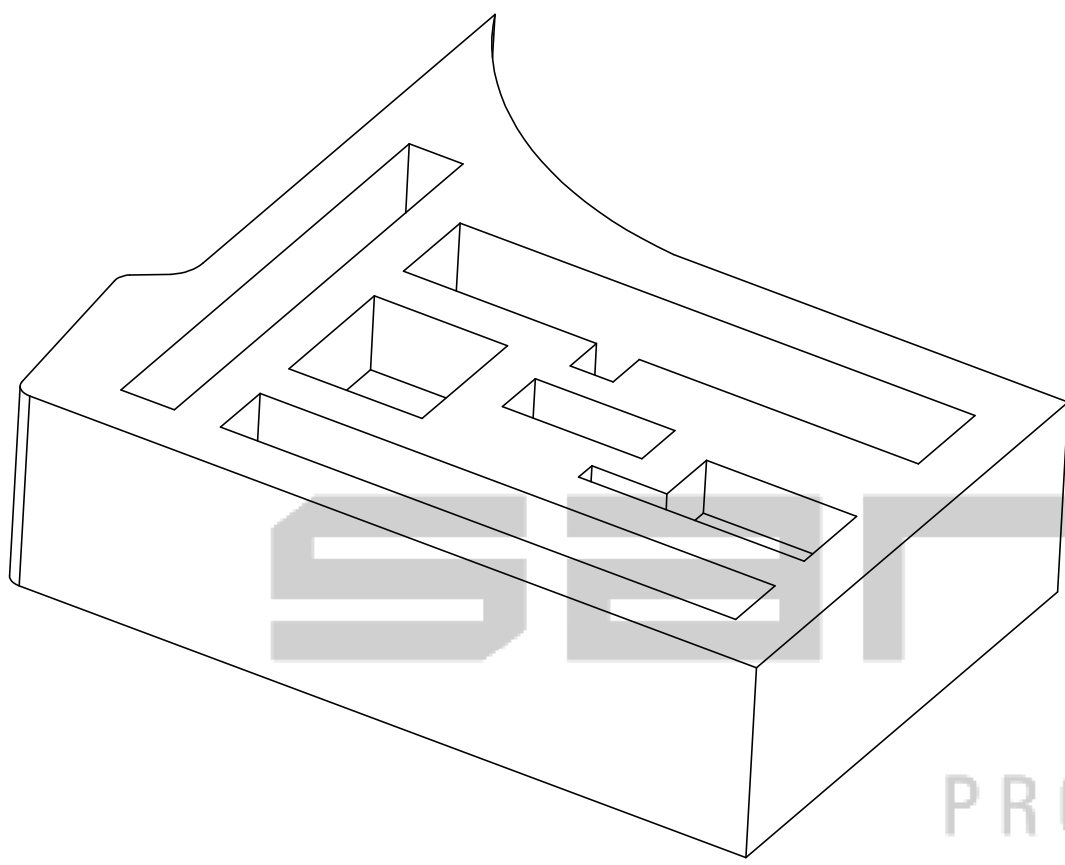


Medidas Maximas

Largura	Profundidade	Altura
345	355	90

REVISIONS

ZONE	REV.	DESCRIPTION	DATE	APPROVED
-	0	Final Drawing	10/07/2013	Daniel Lopes



SANTOSOM
PROFESSIONAL CASES

Name	Date
Drawn by: DanielLopes	10-07-2013
Reference	816.ED048V2
Scale	1:3
units in mm	general tolerance 0.8mm
DO NOT SCALE	
1st Angle projection	ESPUMA FRESADA P/ EQUIPAMENTO H36 355MMX345MMX90MM



This drawing must not be copied or disclosed without consent of the owner

A3