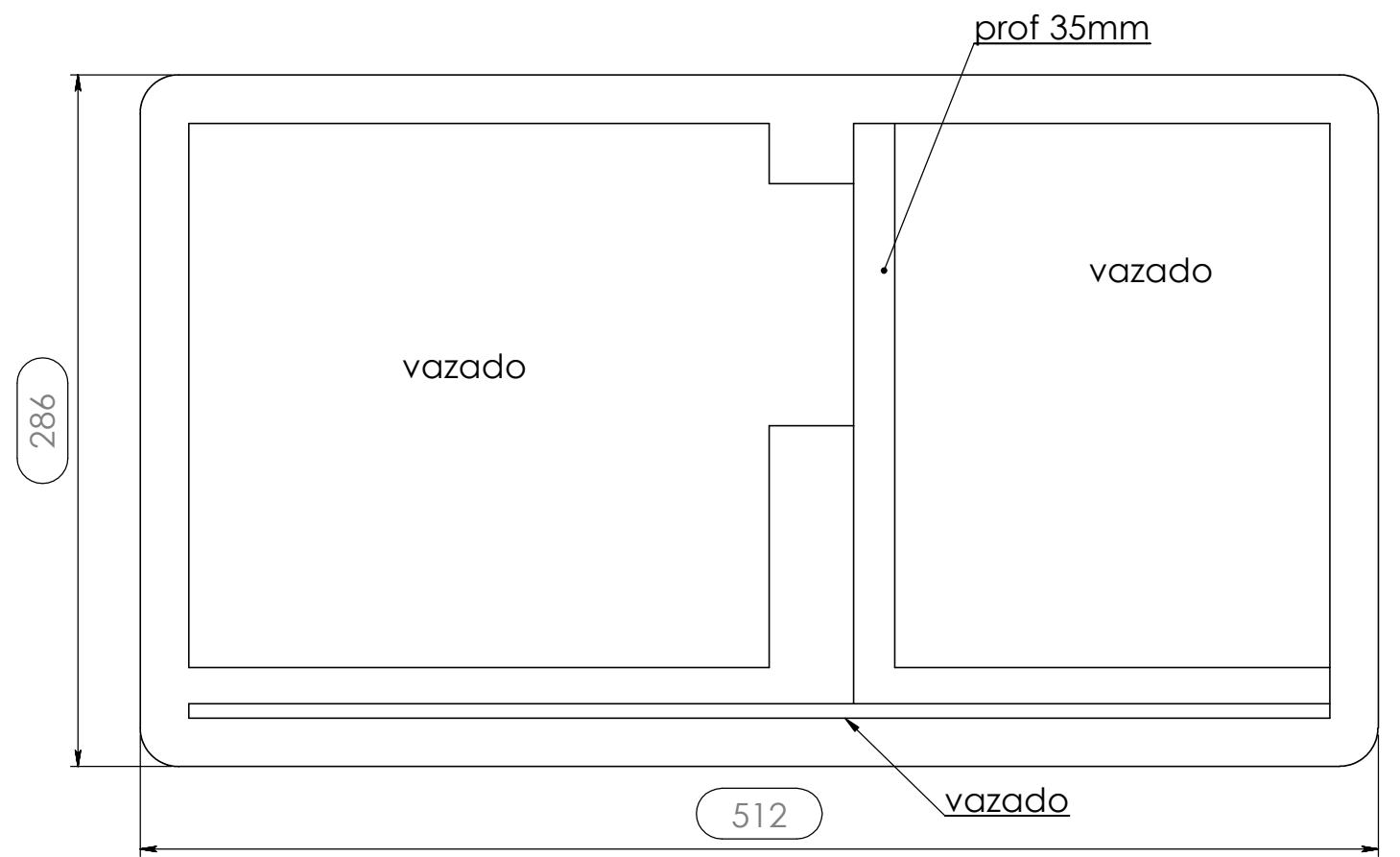
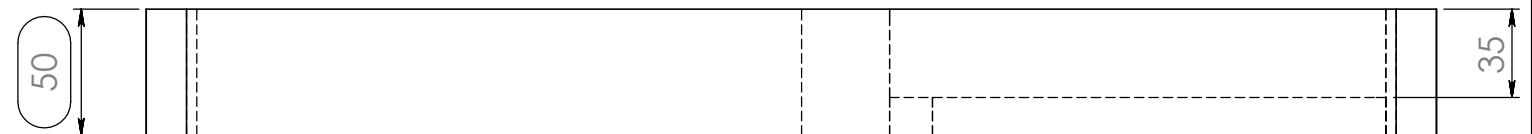
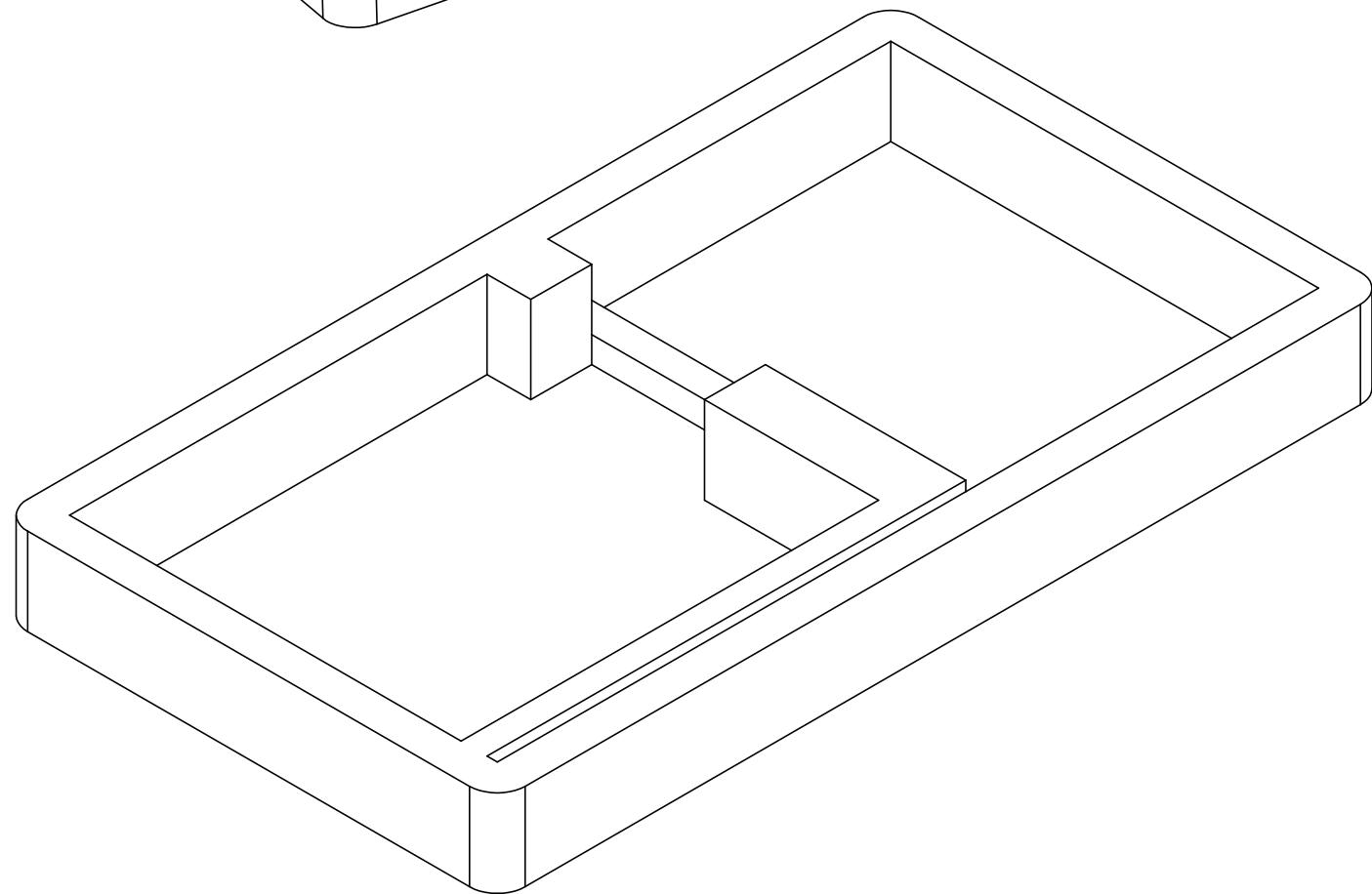
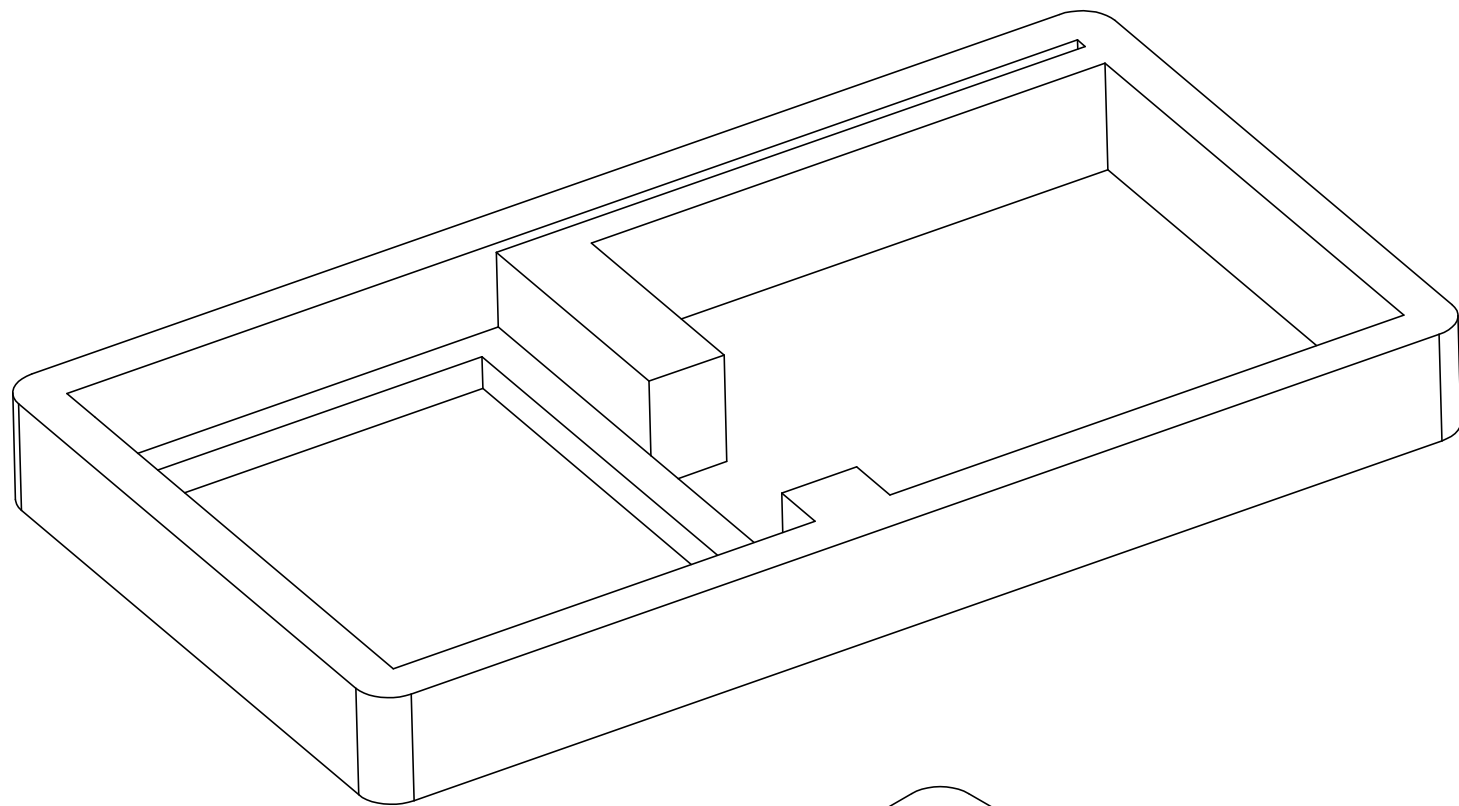


Medidas Maximas

Largura	Profundidade	Altura
512	286	35

Revision Table

Index	Rev.	Description	Date	Draw
-	-	Final Drawing	24/09/2013	Daniel Lopes



Name	Date
Drawn by: DanielLopes	24-09-2013
Reference	816.ED046A
Scale	1:3
units in mm	general tolerance 0.8mm
DO NOT SCALE	
ESPUMA CIMA FRESADA EQUIP DENTÁRIO MOD.1 W512XD286XH50MM	



This drawing must not be copied or disclosed without consent of the owner

