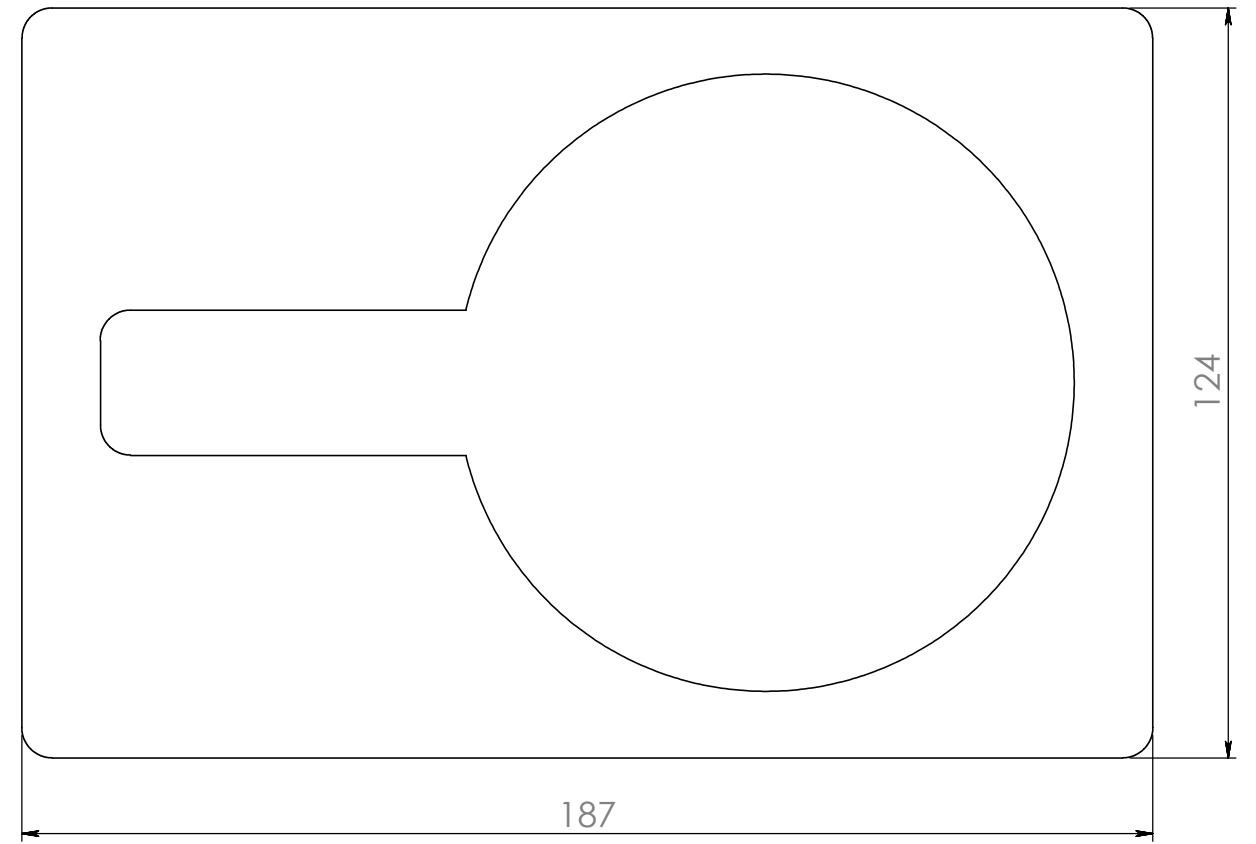
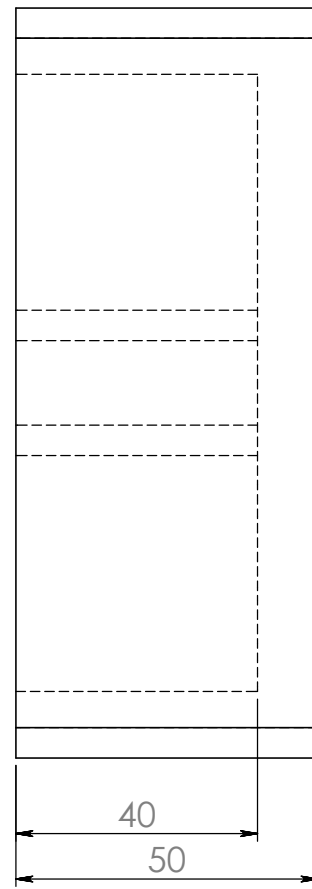
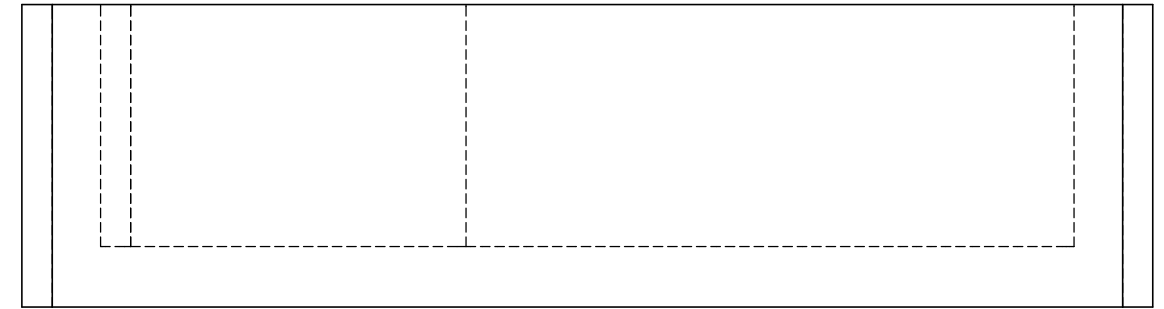


Revision Table				
Index	Rev.	Description	Date	Draw
-	0	Final Drawing	05/06/2013	Pedro Neves



Drawn by	pedroneves	Date	05-06-2013
Reference	816.ED043		
Scale	1:1.25	units in mm	general tolerance 0.8mm
1st Angle projection		ESPUMAS FRESADA P/ PELI MOD.1120	

This drawing must not be copied or disclosed without consent of the owner

