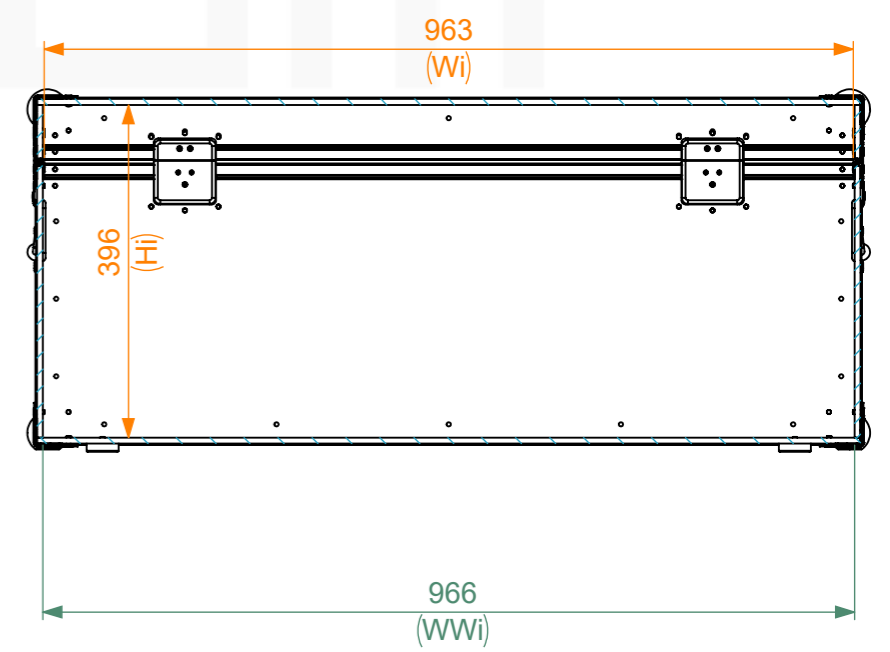
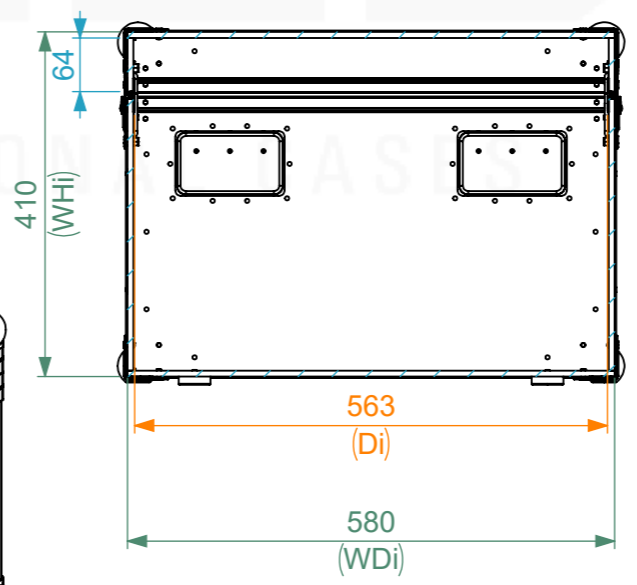
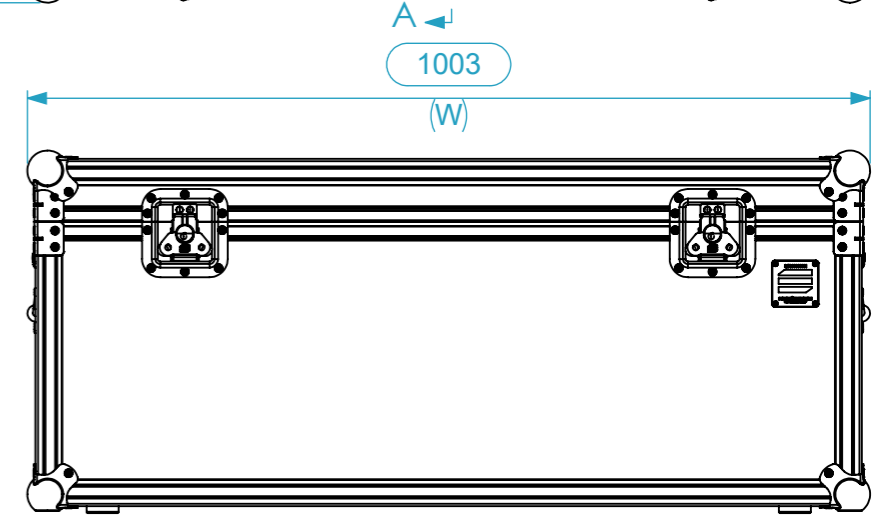
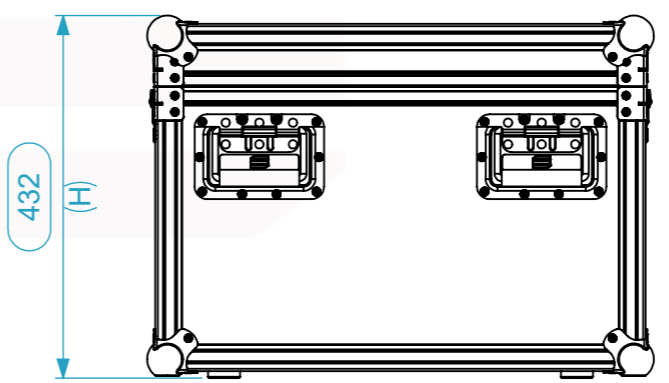
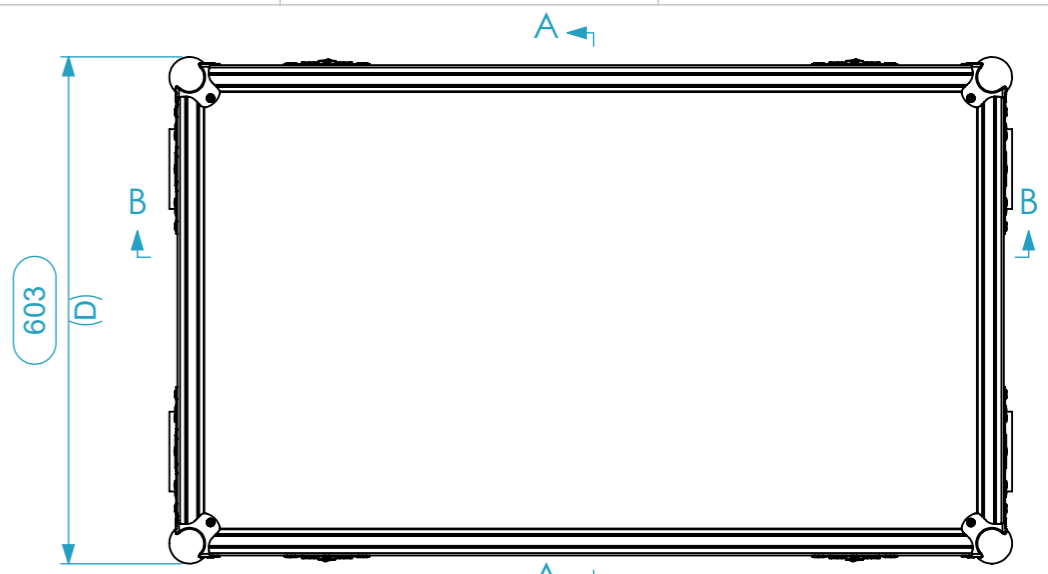
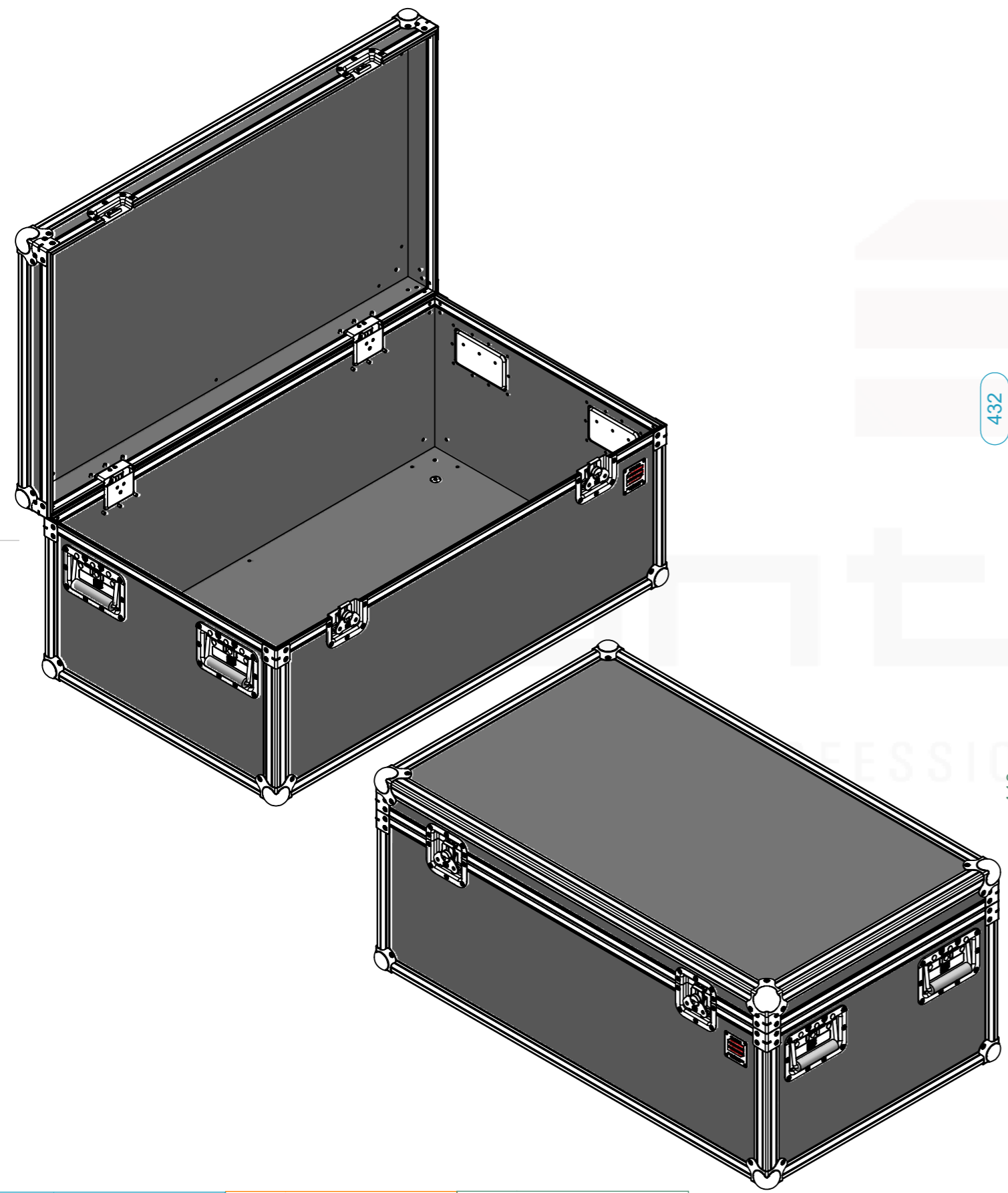


Internal Dimensions		
Width	Depth	Height
963	563	393
FC Weight	Approx. 17 Kg	
Wall Thickness	7mm	



General External Dimensions		Usable Inner Dimensions (UID)		Wood Inner Dimensions (WID)	
W	Width	Wi	Inside Width	WWi	Wood Inside Width
D	Depth	Di	Inside Depth	WDi	Wood Inside Depth
H	Height	Hi	Inside Height	WHi	Wood Inside Height

Name	Date
Drawn by: guilherme.santos	21/04/2026
Reference	816.265
Scale	1:9
units in mm	general tolerance 0.8mm
DO NOT SCALE	
Malão STD. 816.265805(963X566X396)	



This drawing must not be copied or disclosed without consent of the owner



A3