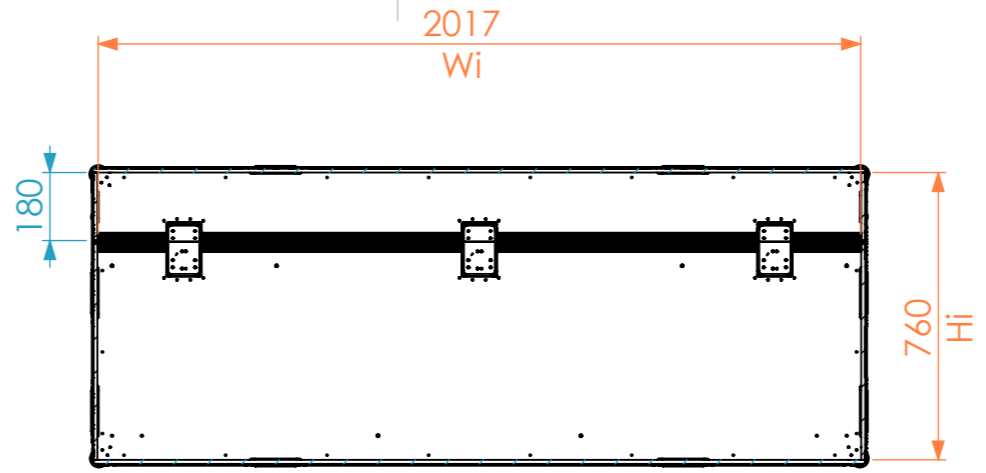
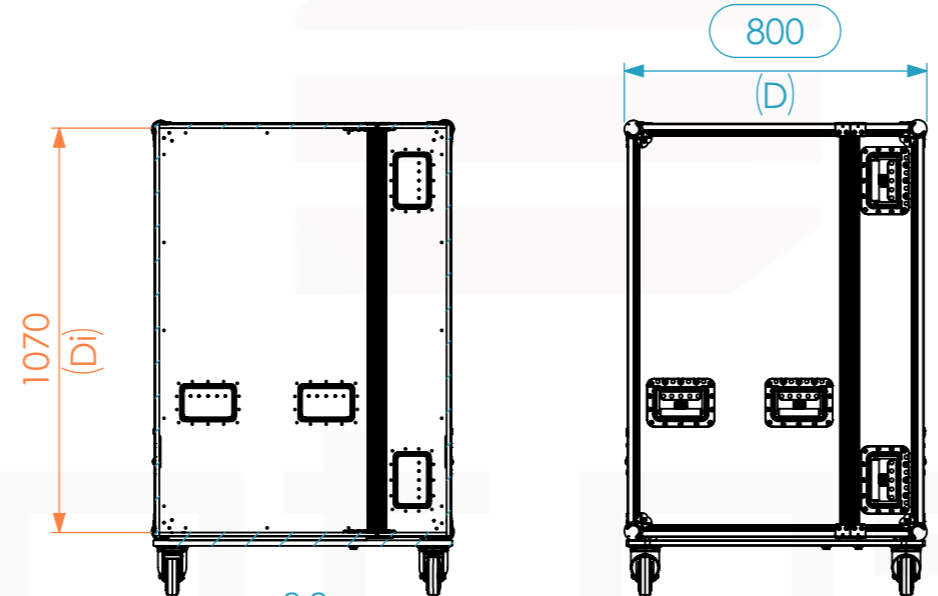
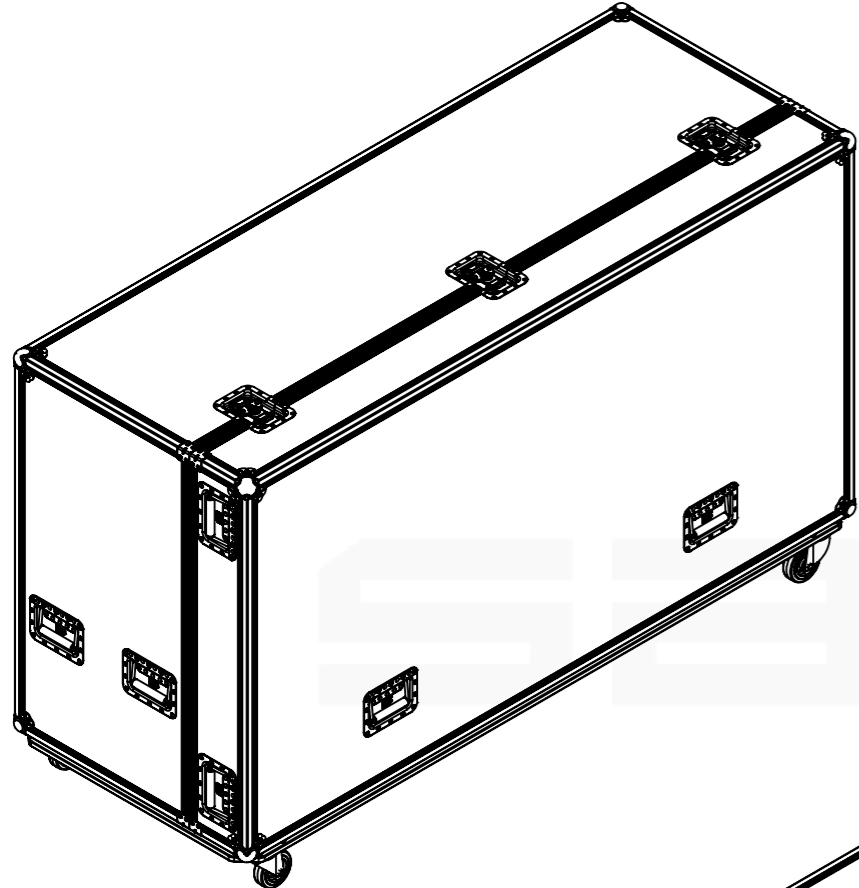
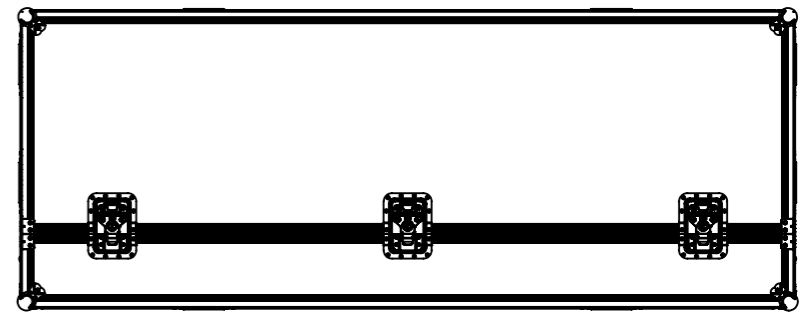


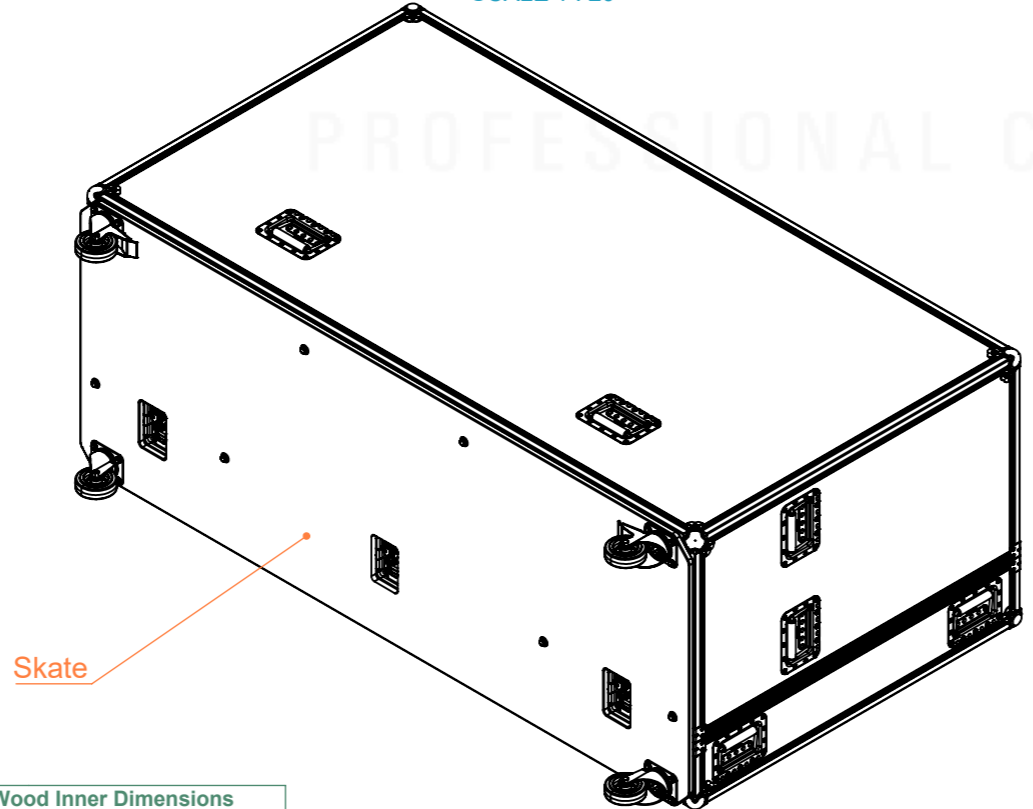
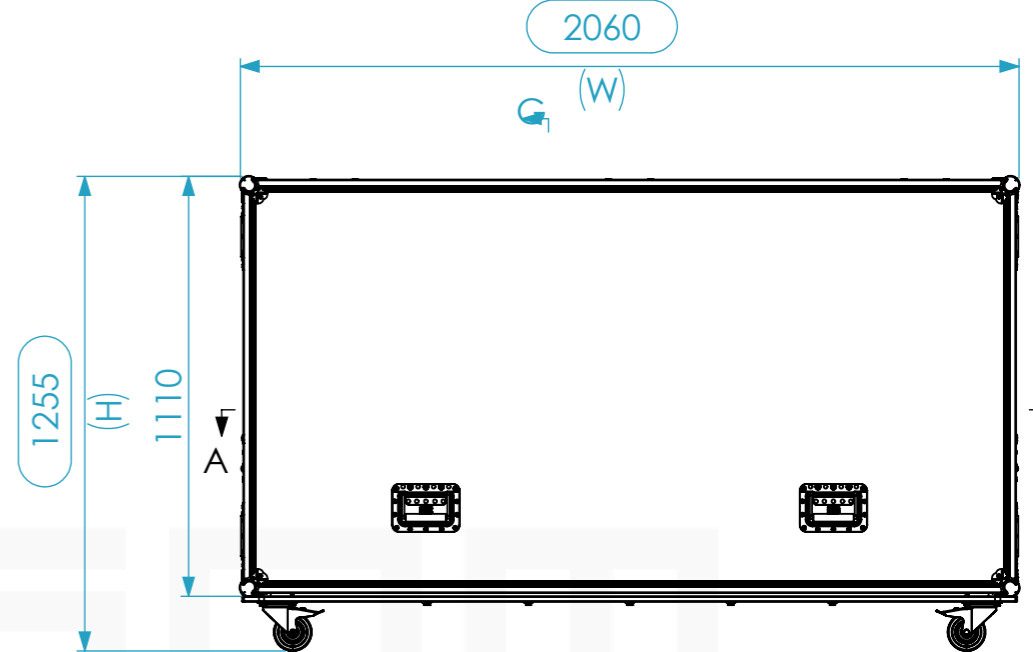
Internal Dimensions		
Width	Depth	Height
2016	1066	756
Weight	Approx. 110 Kg	
Wall Thickness		10mm



SECTION A-A
SCALE 1 : 20



G-G
SCALE 1 : 20



Skate

General External Dimensions		Usable Inner Dimensions		Wood Inner Dimensions	
W	Width	Wi	Inside Width	WWi	Wood Inside Width
D	Depth	Di	Inside Depth	WDi	Wood Inside Depth
H	Height	Hi	Inside Height	WHi	Wood Inside Height

This drawing must not be copied or disclosed without consent of the owner

Drawn by	Name	Date
guilherme.santos	16/04/2026	
Reference	816.264	
Scale	units in mm	general tolerance
1:15	DO NOT SCALE	0.8mm
FC 816.264, 2040x930x1090		



A3

