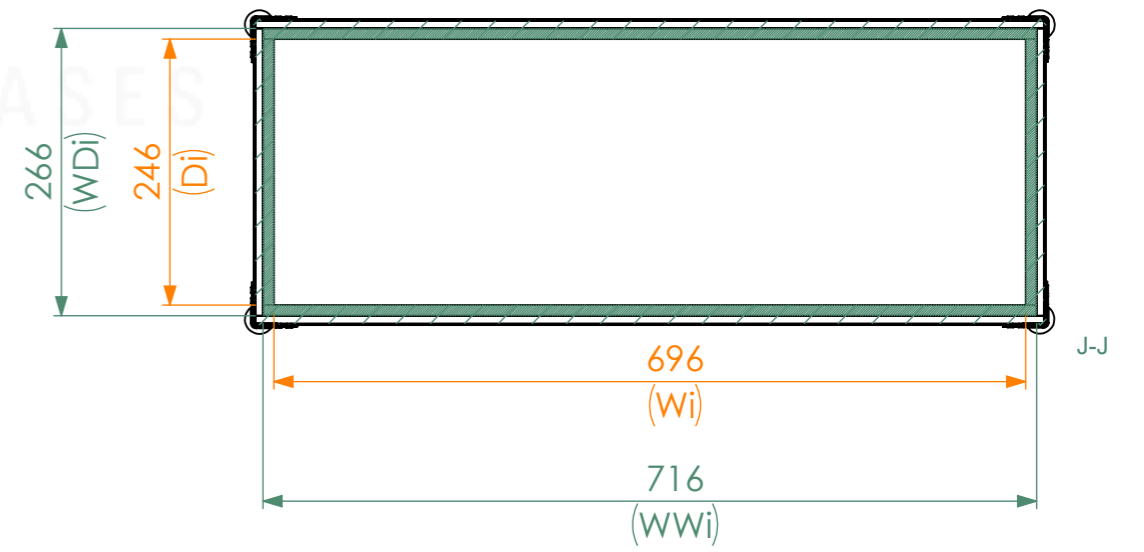
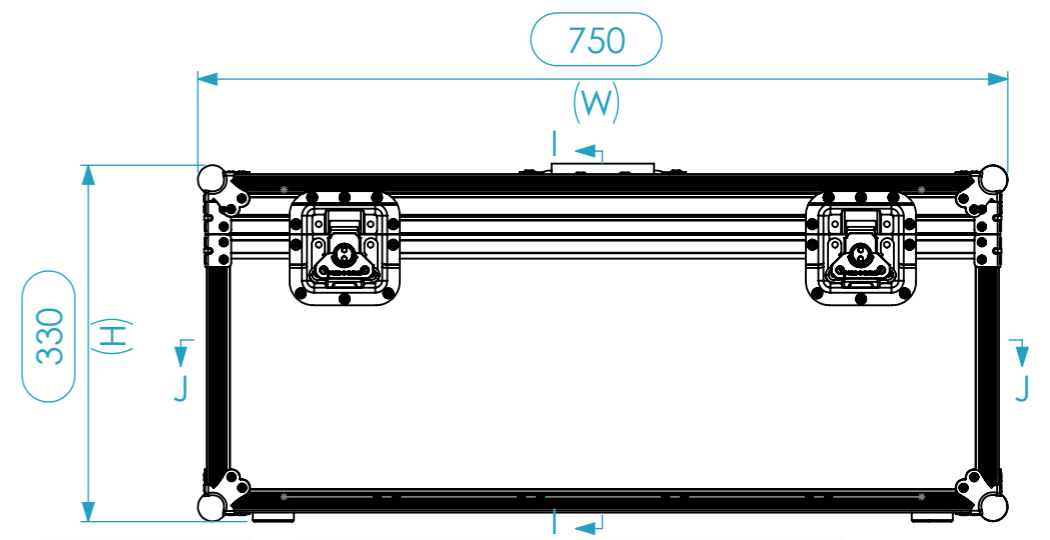
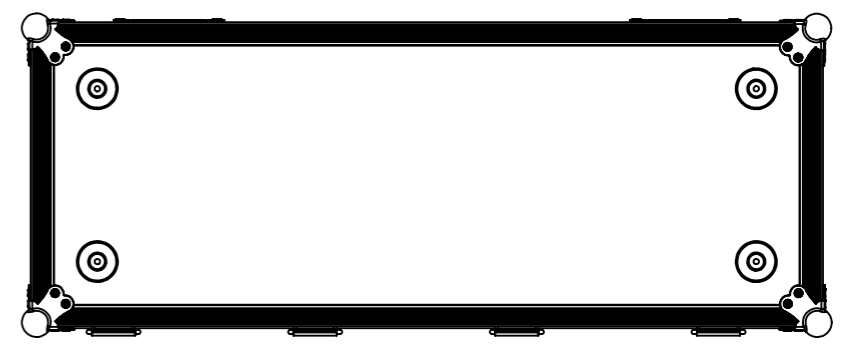
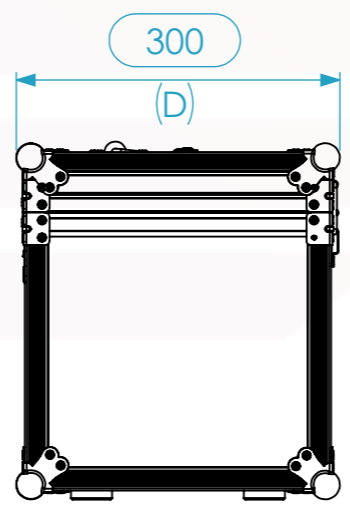
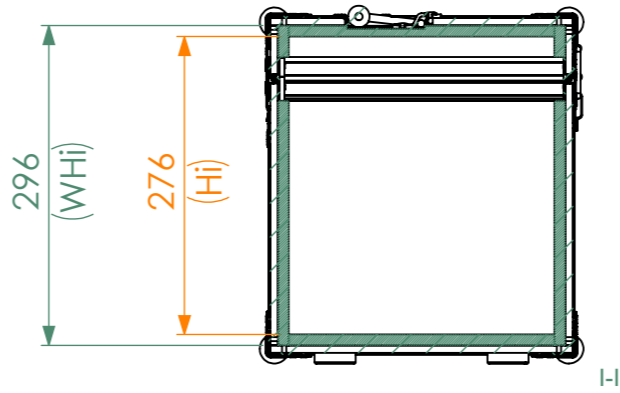
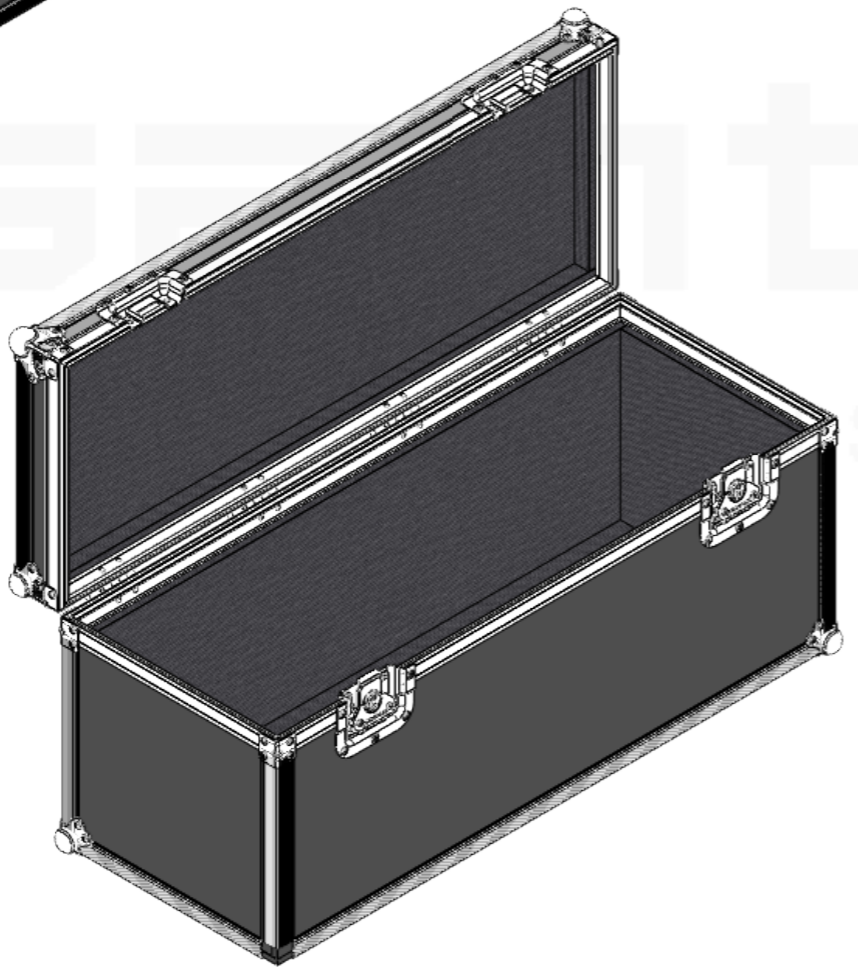


Internal Dimensions		
Width	Depth	Height
696	246	276
FC Weight	Approx. 8 Kg	
Wall Thickness		7mm



General External Dimensions		Usable Inner Dimensions (UID)		Wood Inner Dimensions (WID)	
W	Width	Wi	Inside Width	WWi	Wood Inside Width
D	Depth	Di	Inside Depth	WDi	Wood Inside Depth
H	Height	Hi	Inside Height	WHi	Wood Inside Height

A3 This drawing must not be copied or disclosed without consent of the owner

Drawn by	Name	Date
projects		03/02/2025
Reference	816.261	
Scale	units in mm	general tolerance
1:7	DO NOT SCALE	0.8mm
FC, Malão L1, Arraio Mbira 696x246x276 ESPUMA 10 mm		

