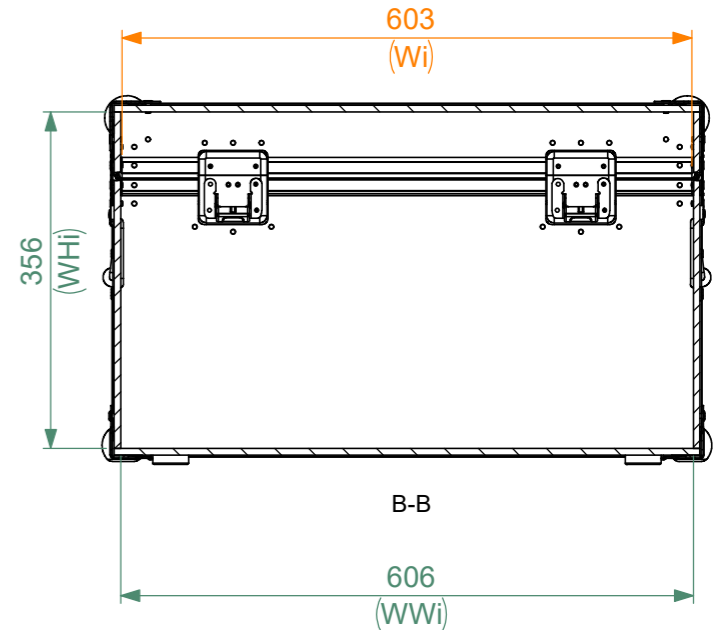
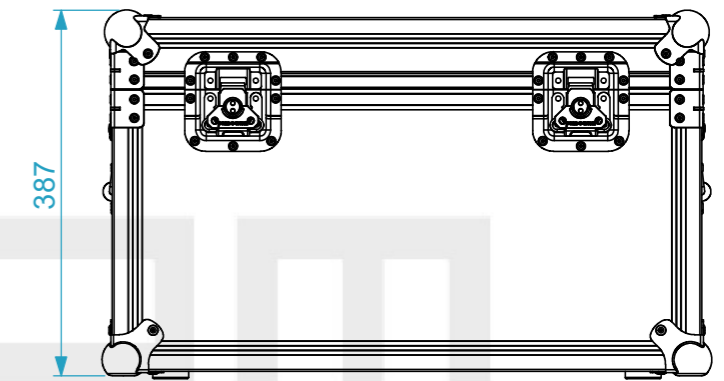
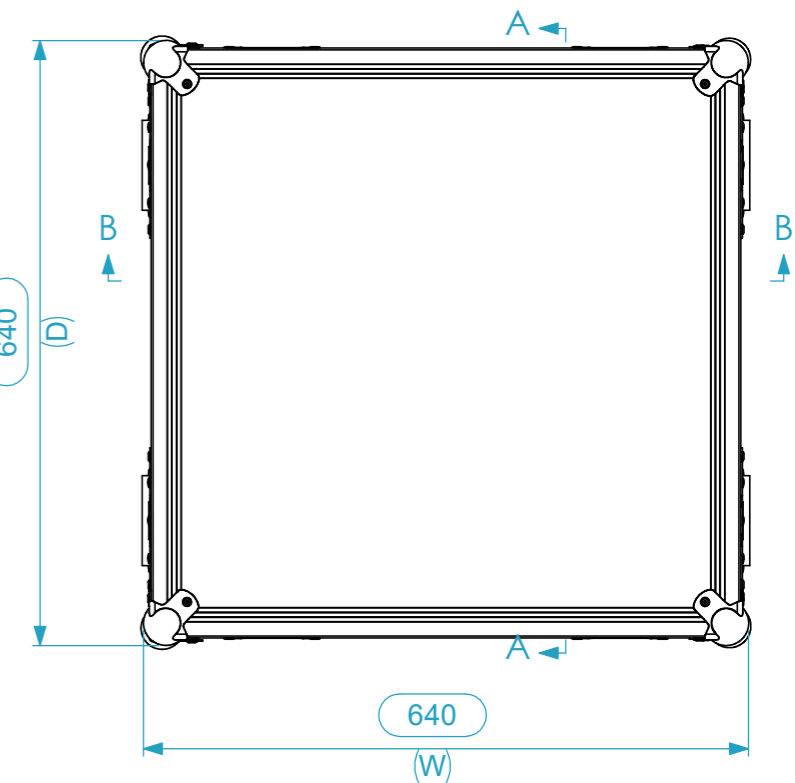
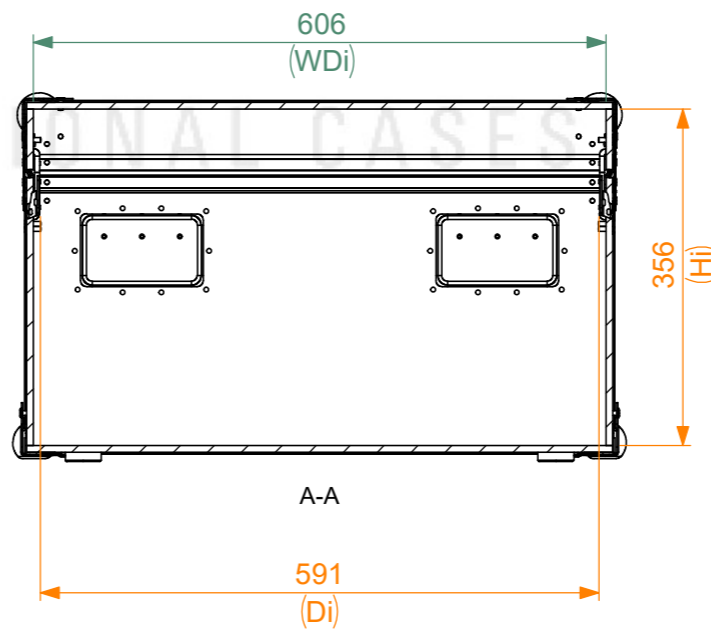
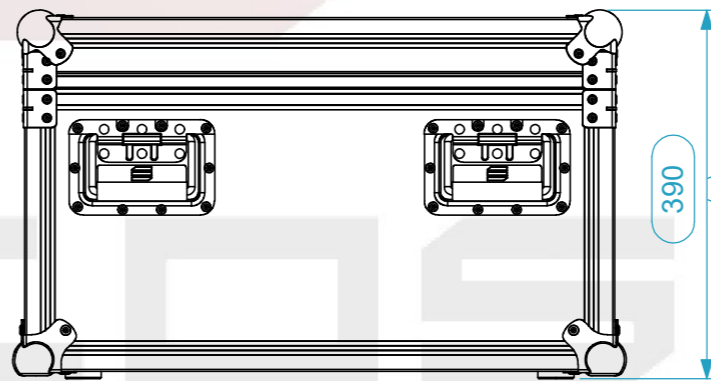
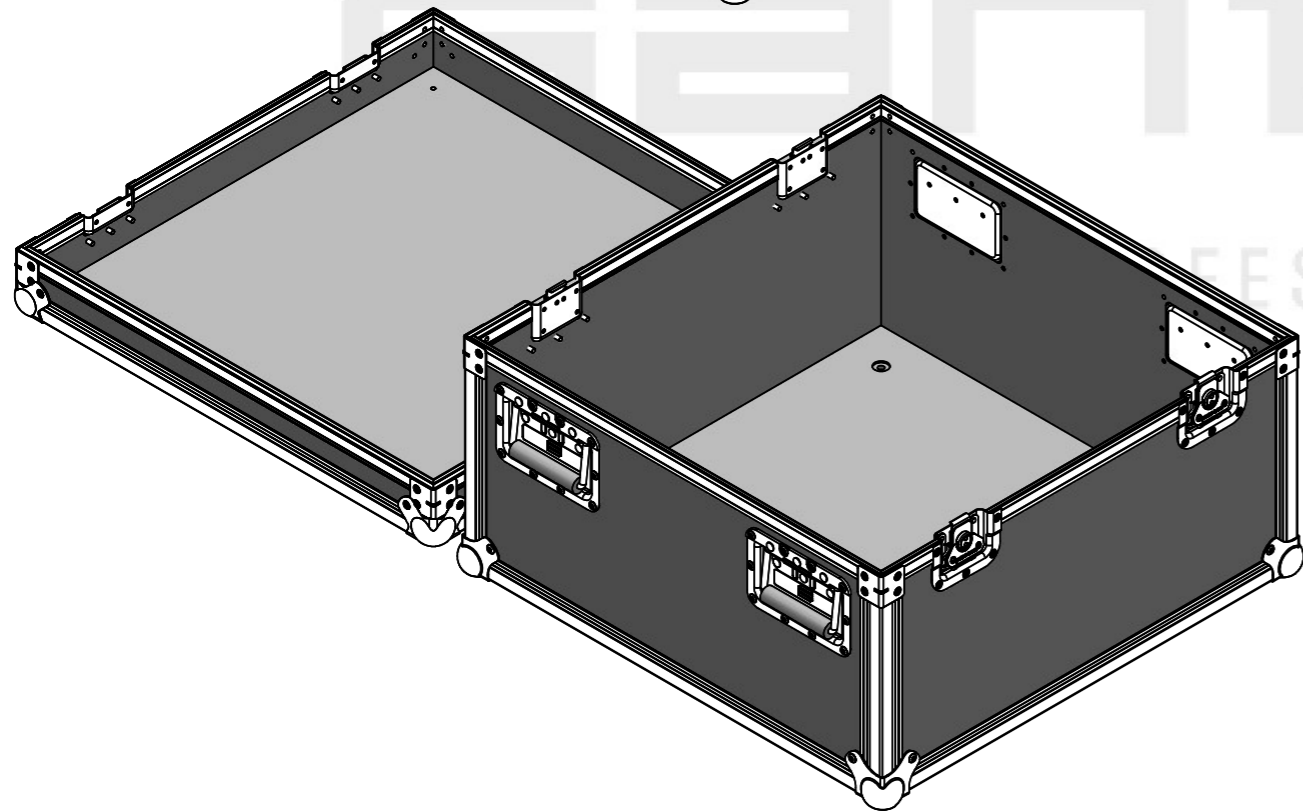
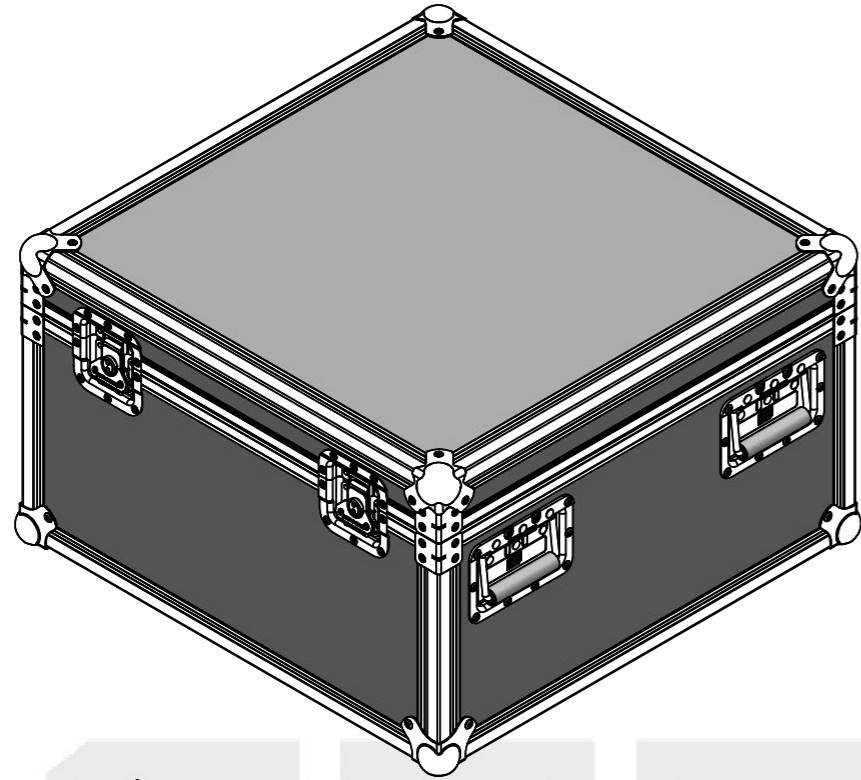


Internal Dimensions		
Width	Depth	Height
603	592	356
Weight	Approx. 13 Kg	
Wall Thickness		7mm



General External Dimensions		Usable Inner Dimensions (UID)		Wood Inner Dimensions (WID)	
W	Width	Wi	Inside Width	WWi	Wood Inside Width
D	Depth	Di	Inside Depth	WDi	Wood Inside Depth
H	Height	Hi	Inside Height	WHi	Wood Inside Height

A3

This drawing must not be copied or disclosed without consent of the owner



Scale 1:8  
units in mm  
DO NOT SCALE  
general tolerance 0.8mm

Drawn by	Name	Date
catarina.silva	catarina.silva	29/11/2024
Reference	816.256	



FC, Malão L1, Auto-refractor 640x640x390 s/ revestimento